

HF Series Mixed Flow Inline Axials

Applications

Kitchens
Bathrooms
Apartments
Laundries
Commercial
Ensuites
Offices

Features

IP44 motor protection
as standard

Operating Range -20
to +60 degrees

Polypropylene casing
with ABS plastic
impellor



Extremely quiet and efficient, the Leopard Fans Inline Mixed Flow Fans are suitable for many applications where noise is an issue, including bathrooms, offices, kitchens, toilet exhausts, gyms, waiting rooms, hydroponics and home heat transfers.



Fully approved and compliant
to current ACMA regulations for
use in residential premises

Performance

Model	Speed	Voltage/Frequency	Current (A)	Power (W)	Speed (RPM)	Weight (kg)	Airflow ¹ (L/s)	Air Pressure ² (Pa)	dBa @ 3m
HF-100	High	230V/50Hz	0.12	26	2200	2	56	156	31
	Low		0.11	23	1850		50	131	26
HF-125	High	230V/50Hz	0.14	33	2250	1.8	78	159	31
	Low		0.13	28	1850		68	106	26
HF-150	High	230V/50Hz	0.24	54	2250	2.7	149	300	33
	Low		0.21	48	1850		114	240	29
HF-200	High	230V/50Hz	0.57	128	2250	4.9	233	352	63
	Low		0.52	162	1850		191	274	55

1. Airflow at Free Air
2. Maximum Pressure

Sound Pressure Levels

Power Spectrum		63	125	250	500	1000	2000	4000	8000
HF-100	Inlet	28	47	46	53	52	47	39	33
	Outlet	27	46	45	44	43	43	32	25
HF-125	Inlet	35	47	46	53	54	50	41	33
	Outlet	33	46	46	47	47	45	33	24
HF-150	Inlet	32	35	55	57	59	62	56	48
	Outlet	25	32	43	39	44	53	42	29
HF-200	Inlet	37	47	61	63	68	67	64	54
	Outlet	29	36	47	46	54	57	48	33

Head Office Sydney Office

8-9 Rosemary Court
Mulgrave VIC 3170
Ph: (03) 9561 3055
F: (03) 9561 2573

C6/27-29 Fariola Street
Silverwater NSW 2128
Ph: (02) 9831 4567
F: (02) 9748 4114

Distributor and Stockist for

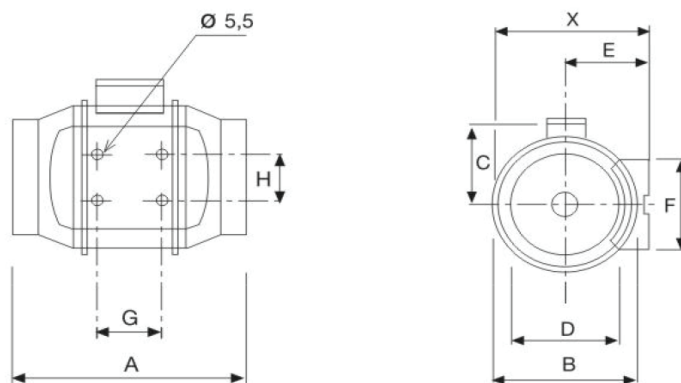
Lau ebmpapst FASCO

comefri ZIEHL-ABEGG

Torin MULTI-WING™

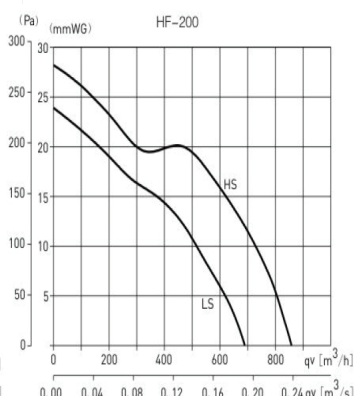
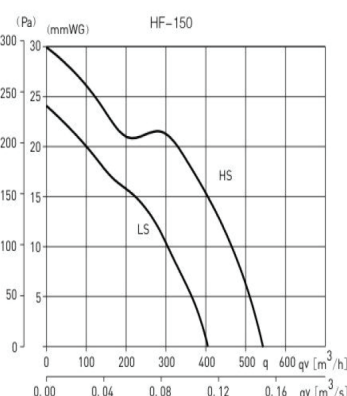
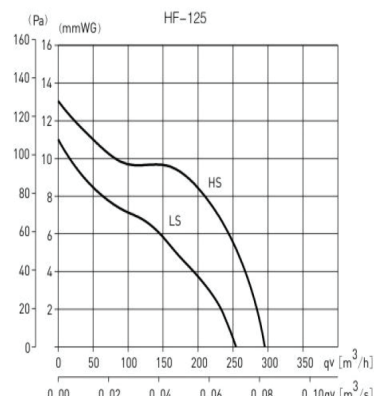
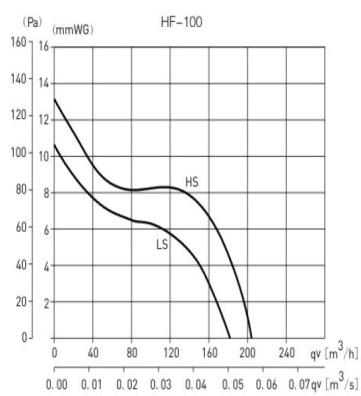
HF Series Mixed Flow Inline Axials

Dimensions



Model	X	A	ØB	C	øD	E	F	G	H
HF-100	188	303	176	115	97	100	90	80	60
HF-125	188	258	176	115	123	100	90	80	60
HF-150	212	320	200	127	147	112	130	80	60
HF-200	232.5	302	217	141	197	124	140	100	94

Performance Curves



Head Office Sydney Office
8-9 Rosemary Court C6/27-29 Fariola Street
Mulgrave VIC 3170 Silverwater NSW 2128
Ph: (03) 9561 3055 Ph: (02) 9831 4567
F: (03) 9561 2573 F: (02) 9748 4114

www.markair.com.au

Distributor and Stockist for

Lau **ebmpapst** **FASCO**

comefri **ZIEHL-ABEGG**

Torin **MULTI-WING™**