

FE2owlet

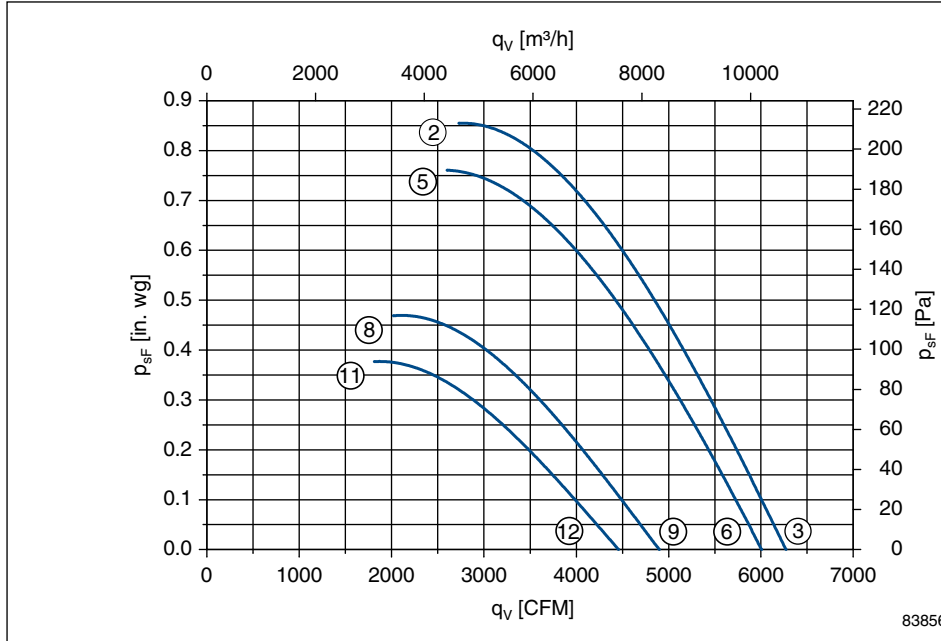
FN050-VD_.4I_.7P1

Performance data

3~ 460V ±10% Δ/Y 60Hz

P_1	1.2/0.7	kW
I	2.0/1.05	A
n	1480/1100	rpm
I_A	5.4/1.65	A
ΔI	0	%
t_R	70/158	°C/°F

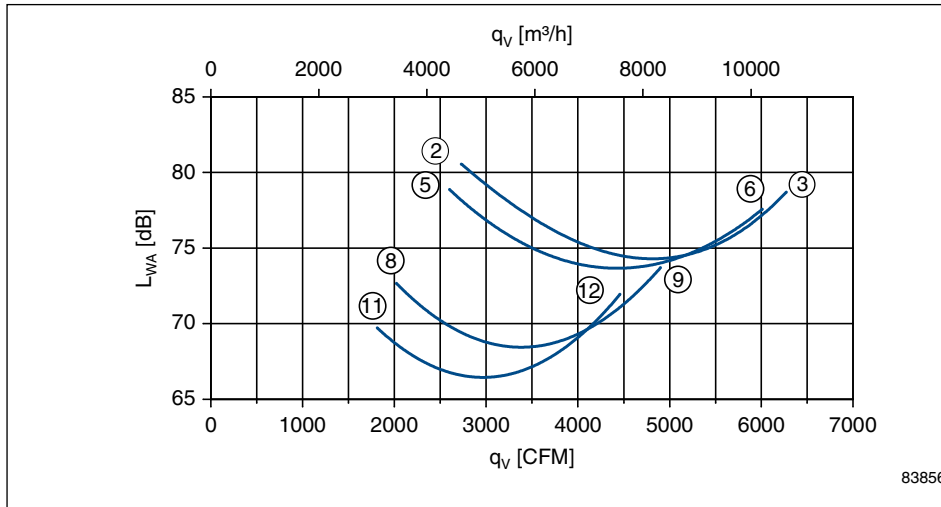
Characteristic data



	U V	I A	P ₁ W	n rpm
②	460	2.0	1200	1480
③	Δ	1.7	950	1570
⑤	400	1.9	1080	1400
⑥	Δ	1.6	870	1500
⑧	460	1.05	710	1100
⑨	Y	0.9	610	1230
⑪	400	1.0	590	980
⑫	Y	0.88	520	1120

$$p_{d2} = 1.2 \cdot 10^{-6} \cdot q_v^2$$

measured in full bell mouth without guard grille in installation type A according to ISO 5801



Dimension sheet

Type	Article no.	Design	Airflow direction	Weight		Connection diagram	Dimension sheet	Page
				kg	lbs			
FN050-VDA.4I.A7P1	153 053	A	A	11	24.3	108XB	L-KL-2656	47
FN050-VDQ.4I.A7P1	153 054	Q	A	20	44.1	108XB	L-KL-2660	48
FN050-VDA.4I.V7P1	153 055	A	V	11	24.3	108XA	L-KL-2657	49
FN050-VDK.4I.V7P1	153 056	K	V	17	37.5	108XA	L-KL-2659	50
FN050-VDQ.4I.V7P1	153 057	Q	V	18	39.7	108XA	L-KL-2661	51
FN050-VDF.4I.V7P1	153 058	F*	V	17	37.5	108XA	L-KL-2662	52
FN050-VDF.4I.V7P1	153 059	F**	V	18	39.7	108XA	L-KL-2658	53

* without guard grille ** with guard grille

FE2owlet

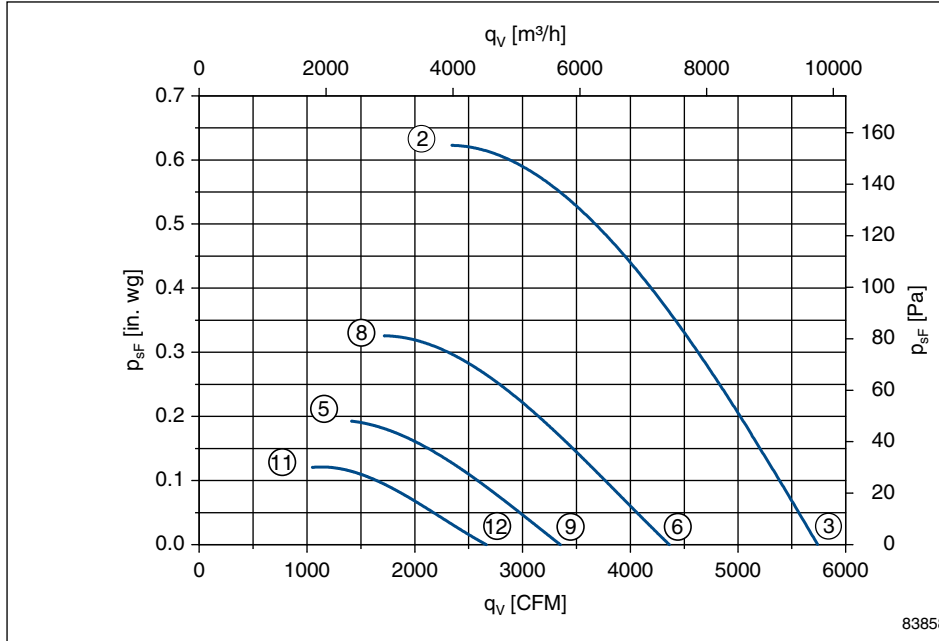
FN050-4E_.4I_.7P1

Performance data

1~ 230V ±10% 60Hz

P_1	1.05	kW
I	4.5	A
n	1250	rpm
I_A	9.5	A
ΔI	0	%
C_{400V}	16	µF
t_R	50/122	°C/°F

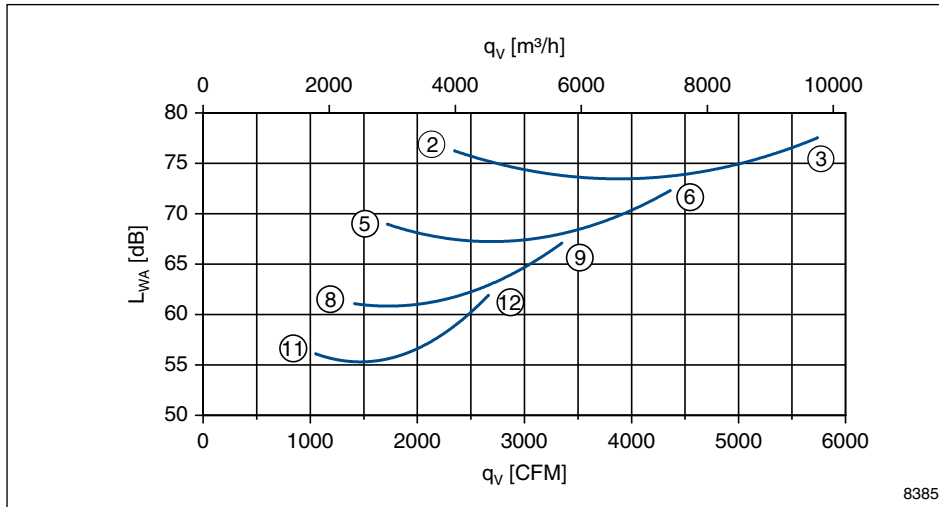
Characteristic data



	U V	I A	P ₁ W	n rpm
②	230	4.5	1030	1250
③		4.0	910	1430
⑤	170	3.8	640	910
⑥		3.6	600	1090
⑧	135	3.2	420	700
⑨		3.1	410	840
⑪	110	2.7	280	560
⑫		2.6	280	670

$$p_{d2} = 1.2 \cdot 10^{-6} \cdot q_v^2$$

measured in full bell mouth without guard grille in installation type A according to ISO 5801



Dimension sheet

Type	Article no.	Design	Airflow direction	Weight		Connection diagram	Dimension sheet	Page
				kg	lbs			
FN050-4EA.4I.A7P1	153 046	A	A	11	24.3	104XB	L-KL-2656	47
FN050-4EQ.4I.A7P1	153 047	Q	A	20	44.1	104XB	L-KL-2660	48
FN050-4EA.4I.V7P1	153 048	A	V	11	24.3	104XA	L-KL-2657	49
FN050-4EK.4I.V7P1	153 049	K	V	17	37.5	104XA	L-KL-2659	50
FN050-4EQ.4I.V7P1	153 050	Q	V	18	39.7	104XA	L-KL-2661	51
FN050-4EF.4I.V7P1	153 051	F*	V	17	37.5	104XA	L-KL-2662	52
FN050-4EF.4I.V7P1	153 052	F**	V	18	39.7	104XA	L-KL-2658	53

* without guard grille ** with guard grille

FE2owlet

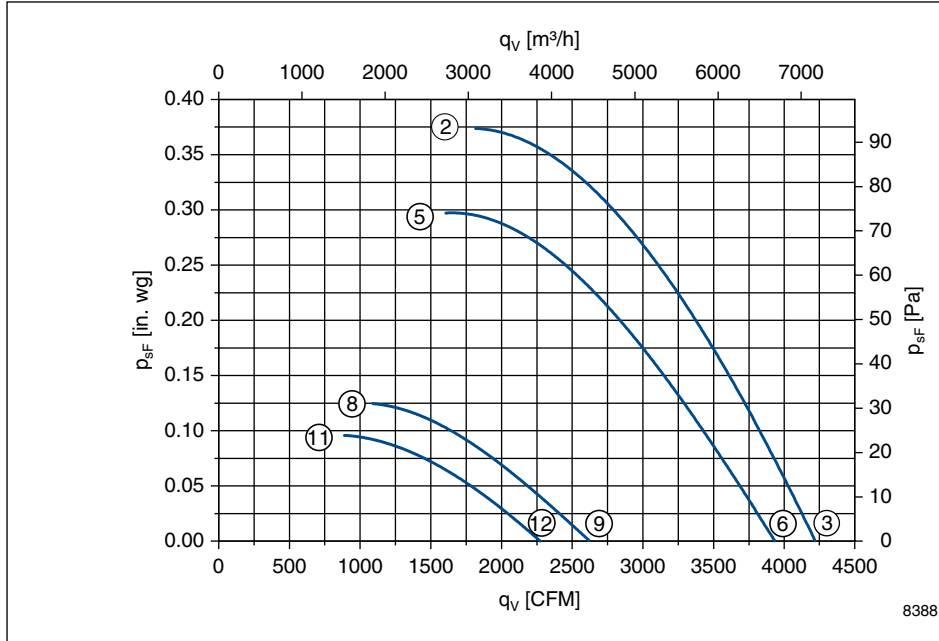
FN050-SD_.4F_.7P1

Performance data

3~ 460V ±10% Δ/Y 60Hz

P_1	0.45/0.18	kW
I	0.90/0.39	A
n	970/560	rpm
I_A	1.6/0.55	A
ΔI	0	%
t_R	65/149	°C/°F

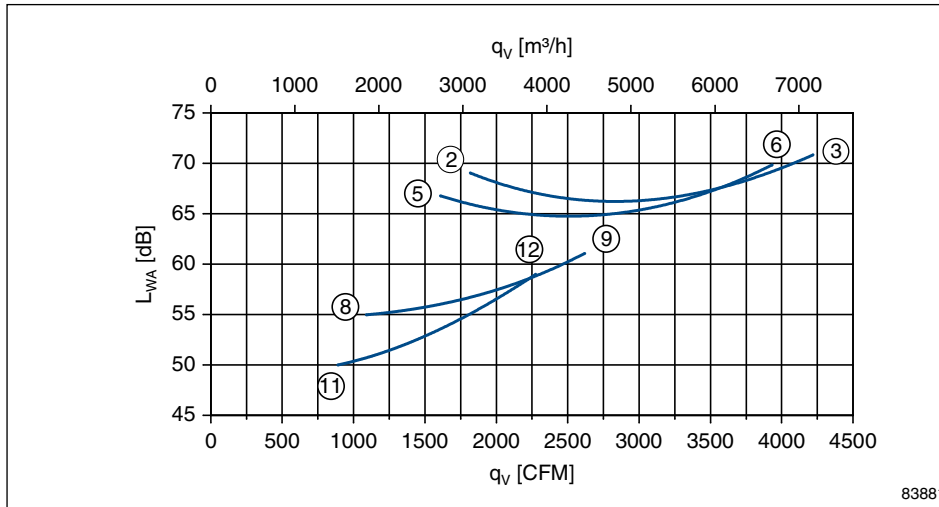
Characteristic data



	U V	I A	P ₁ W	n rpm
②	460	0.90	450	970
③	Δ	0.76	350	1060
⑤	400	0.88	380	860
⑥	Δ	0.74	320	990
⑧	460	0.39	180	560
⑨	Y	0.37	170	660
⑪	400	0.35	135	480
⑫	Y	0.33	130	570

$$p_{d2} = 1.2 \cdot 10^{-6} \cdot q_v^2$$

measured in full bell mouth without guard grille in installation type A according to ISO 5801



Dimension sheet

Type	Article no.	Design	Airflow direction	Weight		Connection diagram	Dimension sheet	Page
				kg	lbs			
FN050-SDA.4F.A7P1	153 060	A	A	9.7	21.4	108XB	L-KL-2656	47
FN050-SDQ.4F.A7P1	153 061	Q	A	19	41.9	108XB	L-KL-2660	48
FN050-SDA.4F.V7P1	153 062	A	V	9.7	21.4	108XA	L-KL-2657	49
FN050-SDK.4F.V7P1	153 063	K	V	15	33.1	108XA	L-KL-2659	50
FN050-SDQ.4F.V7P1	153 065	Q	V	16	35.3	108XA	L-KL-2661	51
FN050-SDF.4F.V7P1	153 064	F*	V	15	33.1	108XA	L-KL-2662	52
FN050-SDF.4F.V7P1	153 066	F**	V	16	35.3	108XA	L-KL-2658	53

* without guard grille ** with guard grille

FE2owlet

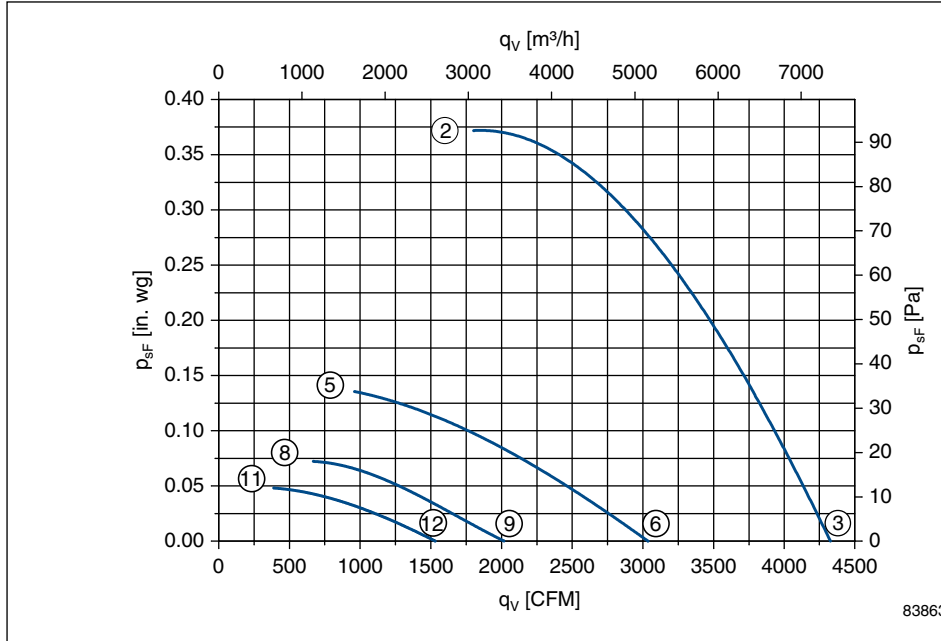
FN050-6E_.4F_.7P1

Performance data

1~ 230V ±10% 60Hz

P_1	0.42	kW
I	1.85	A
n	970	rpm
I_A	3.4	A
ΔI	0	%
C_{400V}	10	μF
t_R	65/149	$^{\circ}C/^{\circ}F$

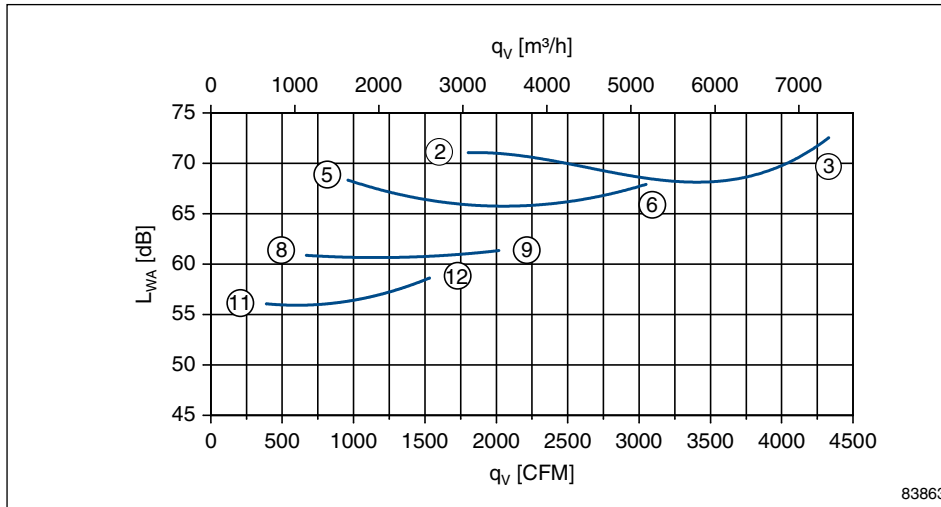
Characteristic data



	U V	I A	P ₁ W	n rpm
②	230	1.85	420	970
③		1.6	360	1090
⑤	170	1.5	240	600
⑥		1.4	240	770
⑧	135	1.15	140	430
⑨		1.15	140	510
⑪	110	0.94	100	320
⑫		0.93	100	390

$$p_{d2} = 1.2 \cdot 10^{-6} \cdot q_v^2$$

measured in full bell mouth without guard grille in installation type A according to ISO 5801



Dimension sheet

Type	Article no.	Design	Airflow direction	Weight		Connection diagram	Dimension sheet	Page
				kg	lbs			
FN050-6EA.4F.A7P1	153 067	A	A	9.7	21.4	104XB	L-KL-2656	47
FN050-6EQ.4F.A7P1	153 068	Q	A	19	41.9	104XB	L-KL-2660	48
FN050-6EA.4F.V7P1	153 069	A	V	9.7	21.4	104XA	L-KL-2657	49
FN050-6EK.4F.V7P1	153 070	K	V	15	33.1	104XA	L-KL-2659	50
FN050-6EQ.4F.V7P1	153 071	Q	V	16	35.3	104XA	L-KL-2661	51
FN050-6EF.4F.V7P1	153 072	F*	V	15	33.1	104XA	L-KL-2662	52
FN050-6EF.4F.V7P1	153 073	F**	V	16	35.3	104XA	L-KL-2658	53

* without guard grille ** with guard grille

FE2owlet

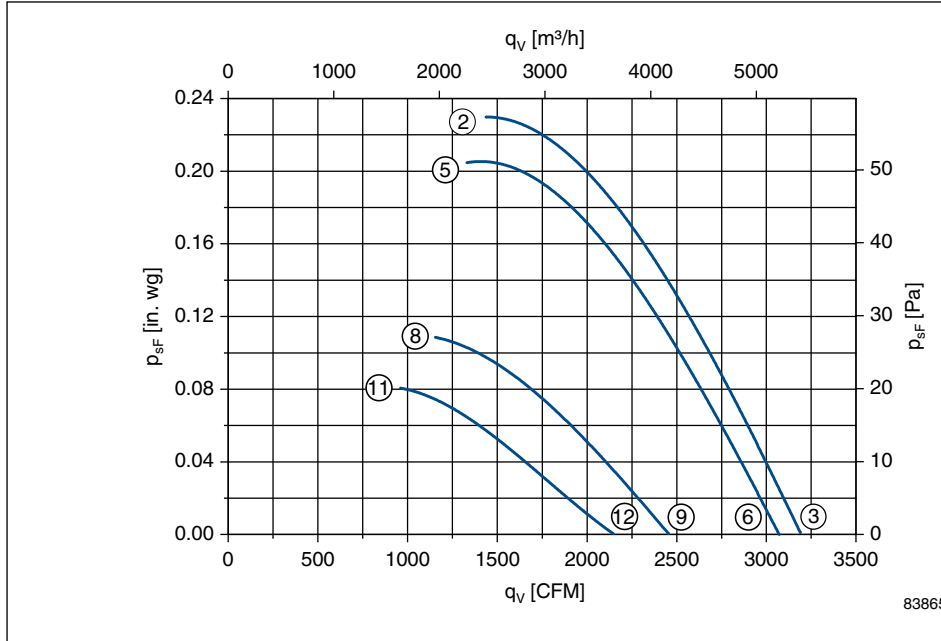
FN050-AD_.4C_.7P1

Performance data

3~ 460V ±10% Δ/Y 60Hz

P_1	0.21/0.12	kW
I	0.36/0.19	A
n	770/530	rpm
I_A	0.79/0.26	A
ΔI	0	%
t_R	70/158	°C/°F

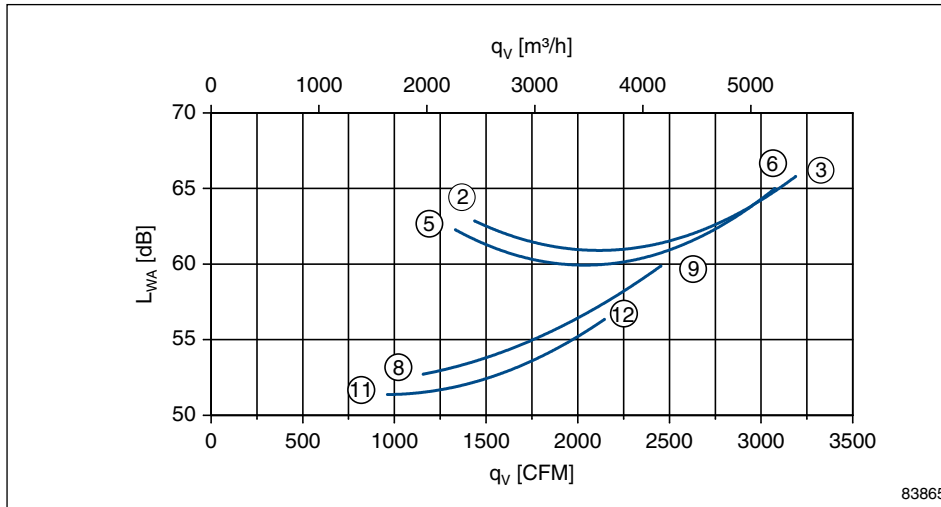
Characteristic data



	U V	I A	P ₁ W	n rpm
②	460	0.36	210	770
③	Δ	0.32	165	810
⑤	400	0.35	185	720
⑥	Δ	0.31	145	780
⑧	460	0.19	120	530
⑨	Y	0.17	105	620
⑪	400	0.18	93	450
⑫	Y	0.16	86	540

$$p_{d2} = 1.2 \cdot 10^{-6} \cdot q_v^2$$

measured in full bell mouth without guard grille in installation type A according to ISO 5801



Dimension sheet

Type	Article no.	Design	Airflow direction	Weight		Connection diagram	Dimension sheet	Page
				kg	lbs			
FN050-ADA.4C.A7P1	153 074	A	A	7.7	17.0	108XB	L-KL-2656	47
FN050-ADQ.4C.A7P1	153 075	Q	A	13	28.7	108XB	L-KL-2660	48
FN050-ADA.4C.V7P1	153 076	A	V	7.7	17.0	108XA	L-KL-2657	49
FN050-ADK.4C.V7P1	153 077	K	V	9.6	21.2	108XA	L-KL-2659	50
FN050-ADQ.4C.V7P1	153 078	Q	V	13	28.7	108XA	L-KL-2661	51
FN050-ADF.4C.V7P1	153 079	F*	V	13	28.7	108XA	L-KL-2662	52
FN050-ADF.4C.V7P1	153 080	F**	V	13	28.7	108XA	L-KL-2658	53

* without guard grille ** with guard grille

FE2owlet

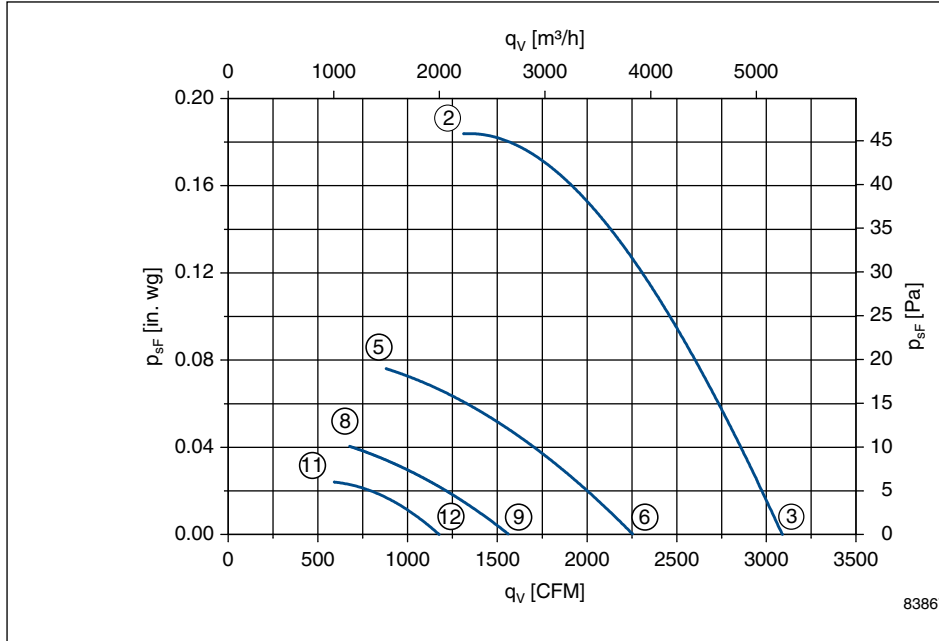
FN050-8E_.4C_.7P1

Performance data

1~ 230V ±10% 60Hz

P_1	0.19	kW
I	0.86	A
n	690	rpm
I_A	1.45	A
ΔI	0	%
C_{400V}	3	µF
t_R	70/158	°C/°F

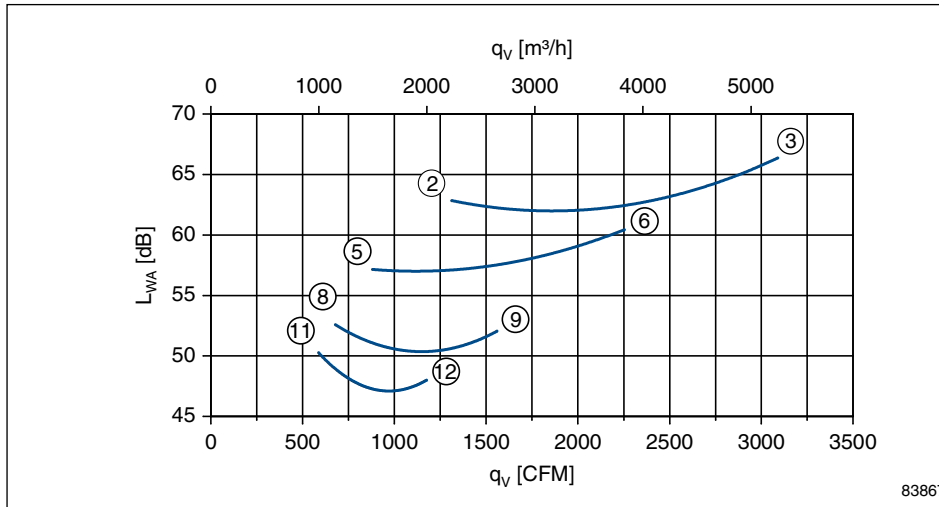
Characteristic data



	U V	I A	P ₁ W	n rpm
②	230	0.86	190	687
③		0.73	160	780
⑤	170	0.73	110	460
⑥		0.70	110	570
⑧	135	0.60	70	320
⑨		0.59	70	400
⑪	110	0.50	50	250
⑫		0.50	50	310

$$p_{d2} = 1.2 \cdot 10^{-6} \cdot q_v^2$$

measured in full bell mouth without guard grille in installation type A according to ISO 5801



Dimension sheet

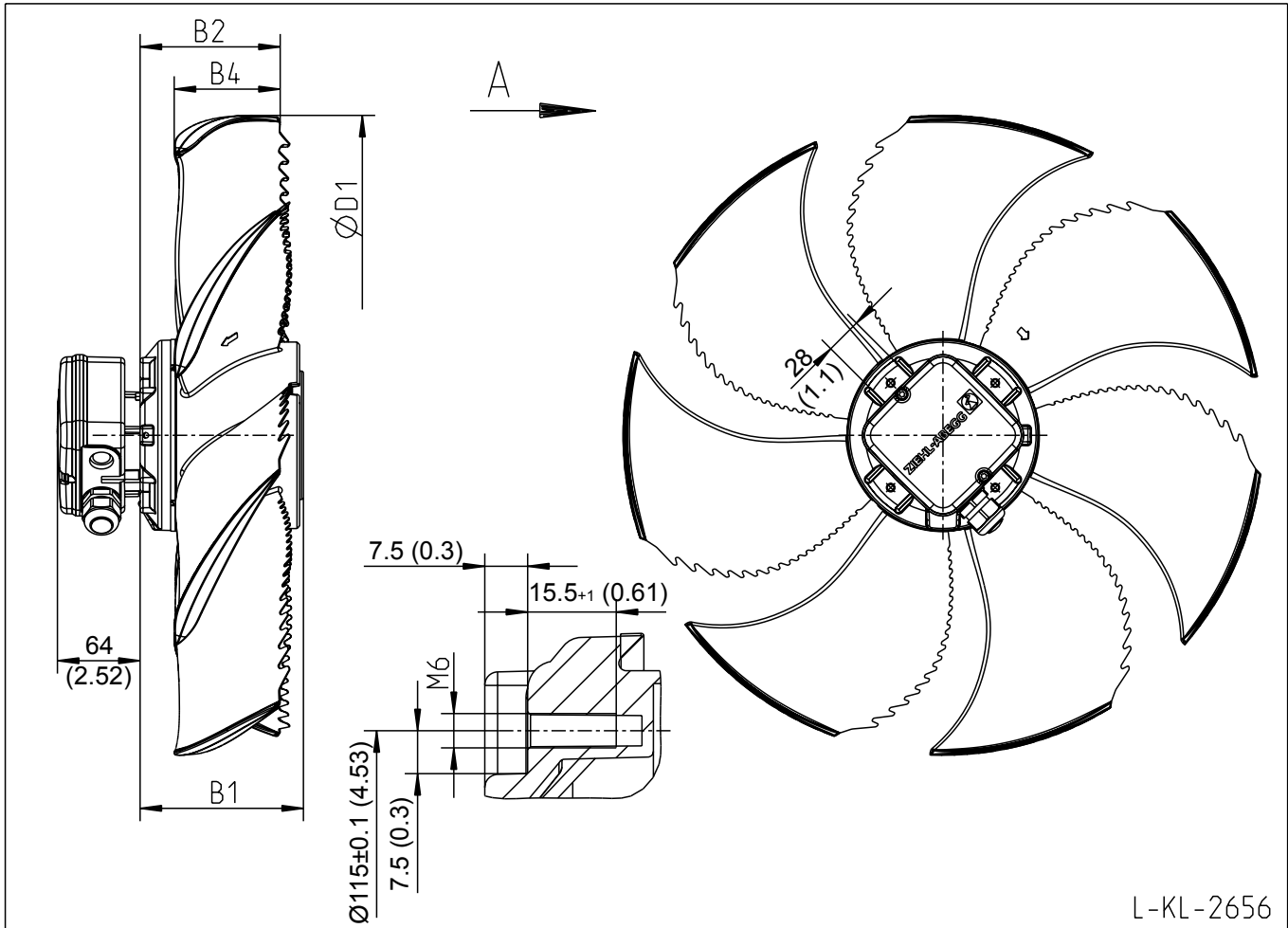
Type	Article no.	Design	Airflow direction	Weight		Connection diagram	Dimension sheet	Page
				kg	lbs			
FN050-8EA.4C.A7P1	153 081	A	A	7.7	17.0	104XB	L-KL-2656	47
FN050-8EQ.4C.A7P1	153 082	Q	A	13	28.7	104XB	L-KL-2660	48
FN050-8EA.4C.V7P1	153 083	A	V	7.7	17.0	104XA	L-KL-2657	49
FN050-8EK.4C.V7P1	153 084	K	V	9.6	21.2	104XA	L-KL-2659	50
FN050-8EQ.4C.V7P1	153 085	Q	V	13	28.7	104XA	L-KL-2661	51
FN050-8EF.4C.V7P1	153 086	F*	V	13	28.7	104XA	L-KL-2662	52
FN050-8EF.4C.V7P1	153 087	F**	V	13	28.7	104XA	L-KL-2658	53

* without guard grille ** with guard grille

FE2owlet

FN050-__A.4_.A7P1

Airflow direction	A
Design	A
Material of impeller	Aluminium



**FN
050**

L-KL-2656

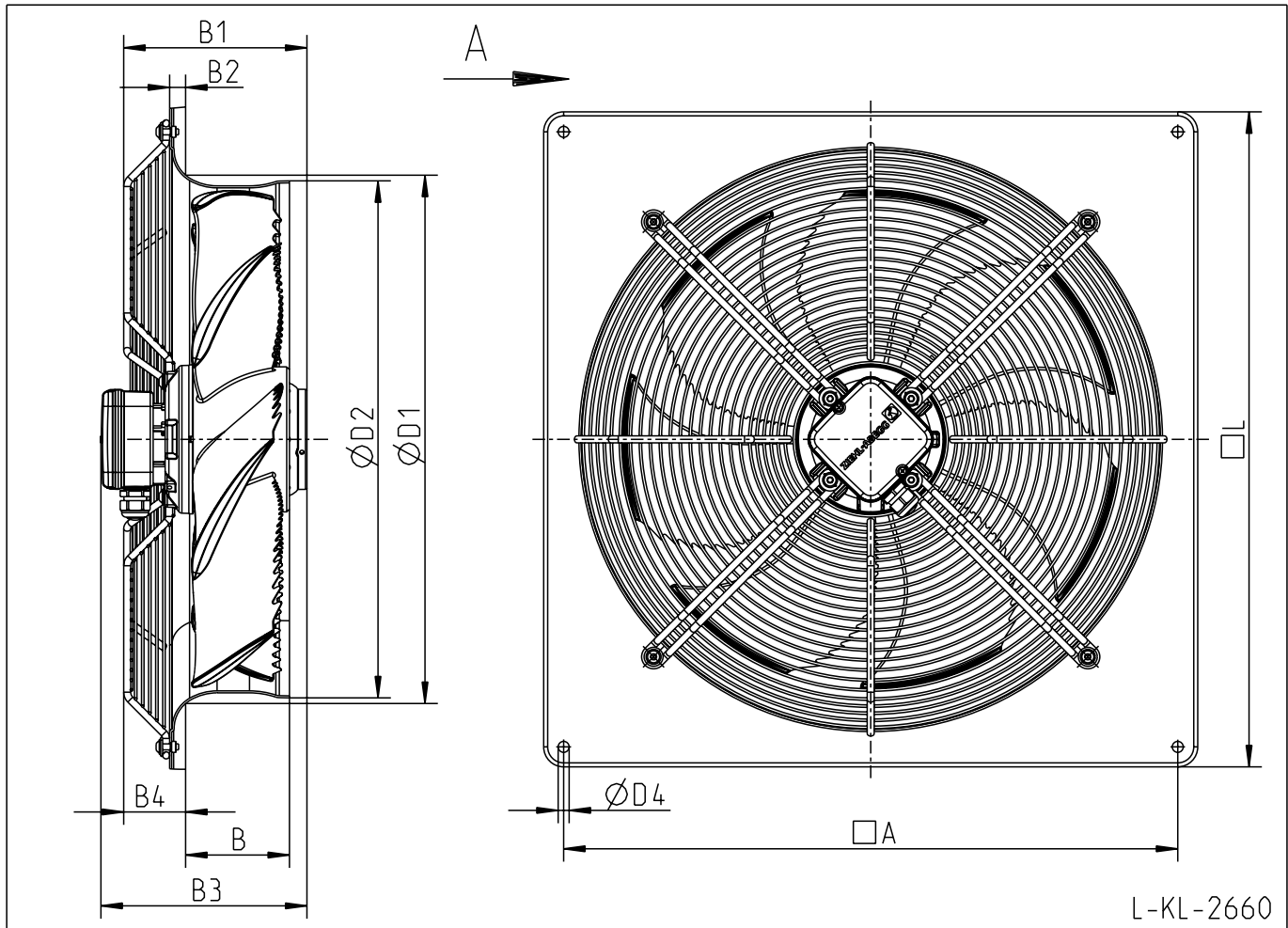
Type	Article no.	B1		B2		B4		D1	
		mm	inch	mm	inch	mm	inch	mm	inch
FN050-4EA.4I.A7P1	153 046	162	6.38	109	4.29	82.5	3.25	498	19.61
FN050-VDA.4I.A7P1	153 053	162	6.38	109	4.29	82.5	3.25	498	19.61
FN050-6EA.4F.A7P1	153 067	142	5.59	109	4.29	82.5	3.25	498	19.61
FN050-SDA.4F.A7P1	153 060	142	5.59	109	4.29	82.5	3.25	498	19.61
FN050-8EA.4C.A7P1	153 081	127	5.00	109	4.29	82.5	3.25	498	19.61
FN050-ADA.4C.A7P1	153 074	127	5.00	109	4.29	82.5	3.25	498	19.61

FE2owlet

FN050-__Q.4_.A7P1

Airflow direction	A
Design	Q
Material of impeller	Aluminium

**FN
050**



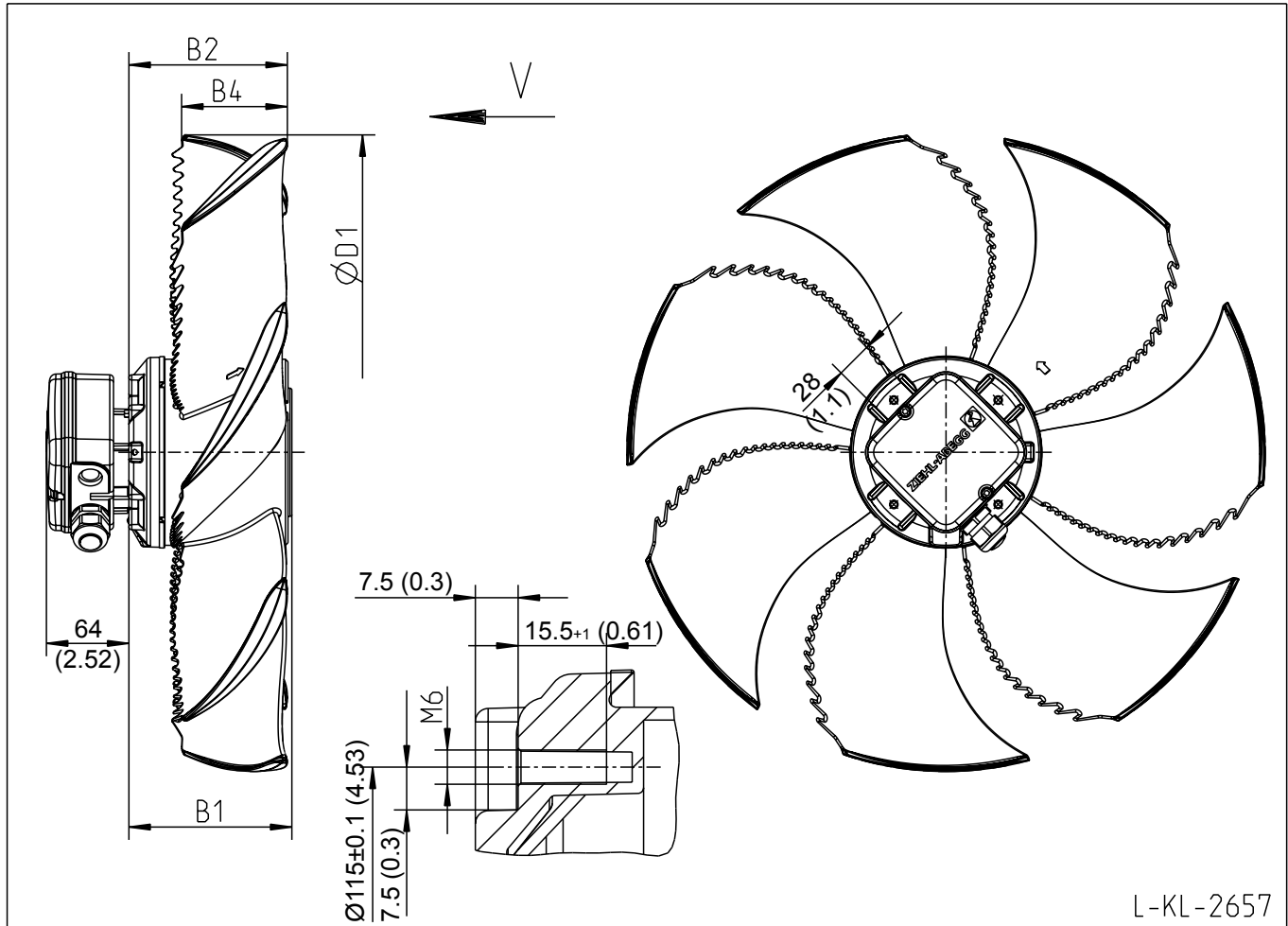
L-KL-2660

Type	Article no.	A		B		B1		B2		B3		B4		D1		D2		D4		L	
		mm	inch	mm	inch	mm	inch	mm	inch	mm	inch	mm	inch	mm	inch	mm	inch	mm	inch	mm	inch
FN050-4EQ.4I.A7P1	153 047	615	24.21	104	4.09	204	8.03	16	0.63	226	8.90	62	2.44	531	20.91	517	20.35	11	0.43	655	25.79
FN050-VDQ.4I.A7P1	153 054	615	24.21	104	4.09	204	8.03	16	0.63	226	8.90	62	2.44	531	20.91	517	20.35	11	0.43	655	25.79
FN050-6EQ.4F.A7P1	153 068	615	24.21	104	4.09	184	7.24	16	0.63	206	8.11	62	2.44	531	20.91	517	20.35	11	0.43	655	25.79
FN050-SDQ.4F.A7P1	153 061	615	24.21	104	4.09	184	7.24	16	0.63	206	8.11	62	2.44	531	20.91	517	20.35	11	0.43	655	25.79
FN050-8EQ.4C.A7P1	153 082	615	24.21	104	4.09	169	6.65	16	0.63	191	7.52	62	2.44	531	20.91	517	20.35	11	0.43	655	25.79
FN050-ADQ.4C.A7P1	153 075	615	24.21	104	4.09	169	6.65	16	0.63	191	7.52	62	2.44	531	20.91	517	20.35	11	0.43	655	25.79

FE2owlet

FN050-__A.4.V7P1

Airflow direction	V
Design	A
Material of impeller	Aluminium



**FN
050**

L-KL-2657

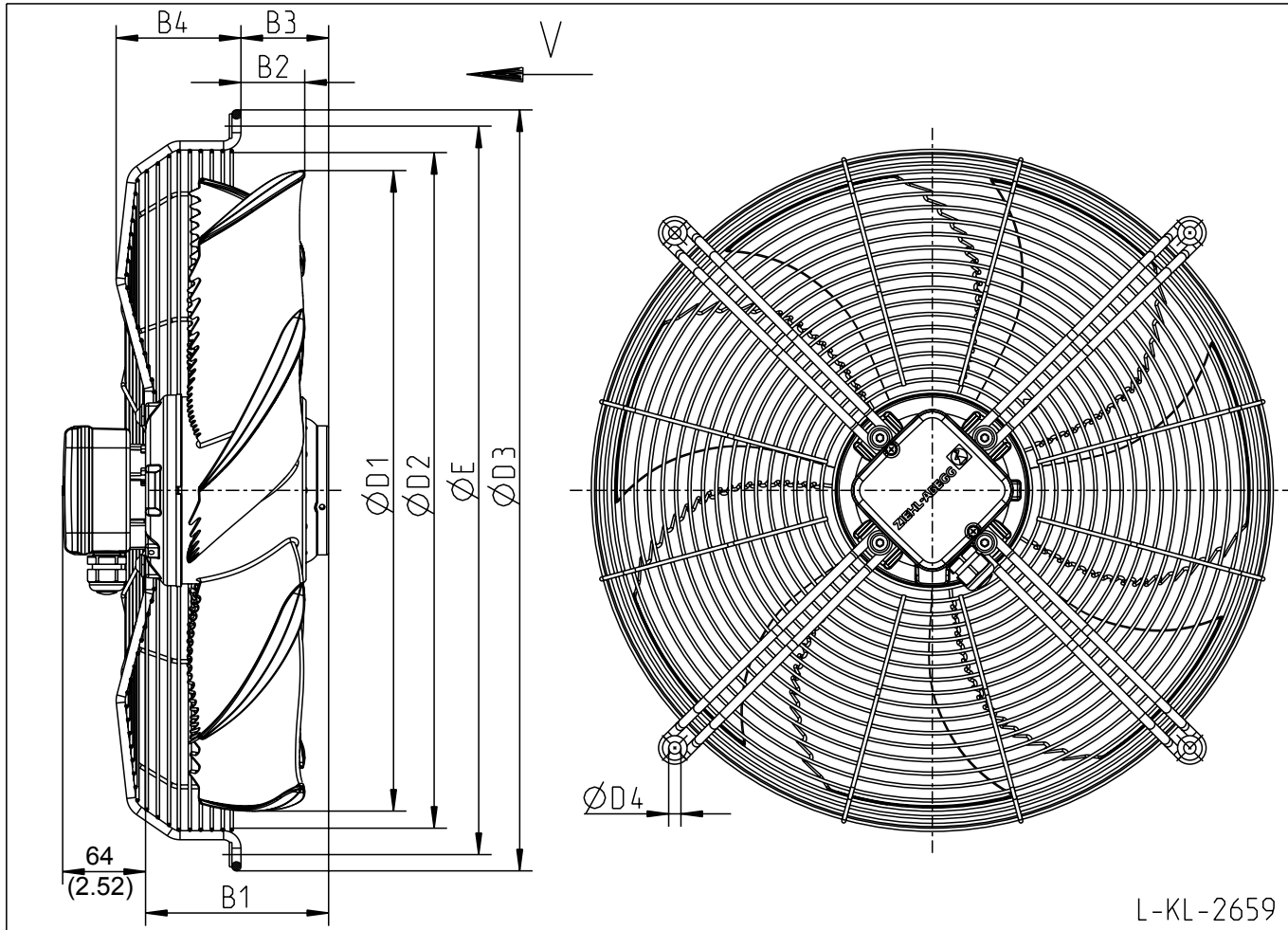
Type	Article no.	B1		B2		B4		D1	
		mm	inch	mm	inch	mm	inch	mm	inch
FN050-4EA.4I.V7P1	153 048	162	6.38	124	4.88	83	3.27	498	19.61
FN050-VDA.4I.V7P1	153 055	162	6.38	124	4.88	83	3.27	498	19.61
FN050-6EA.4F.V7P1	153 069	142	5.59	124	4.88	83	3.27	498	19.61
FN050-SDA.4F.V7P1	153 062	142	5.59	124	4.88	83	3.27	498	19.61
FN050-8EA.4C.V7P1	153 083	127	5.00	124	4.88	83	3.27	498	19.61
FN050-ADA.4C.V7P1	153 076	127	5.00	124	4.88	83	3.27	498	19.61

FE2owlet

FN050-__K.4.V7P1

Airflow direction	V
Design	K
Material of impeller	Aluminium

**FN
050**



L-KL-2659

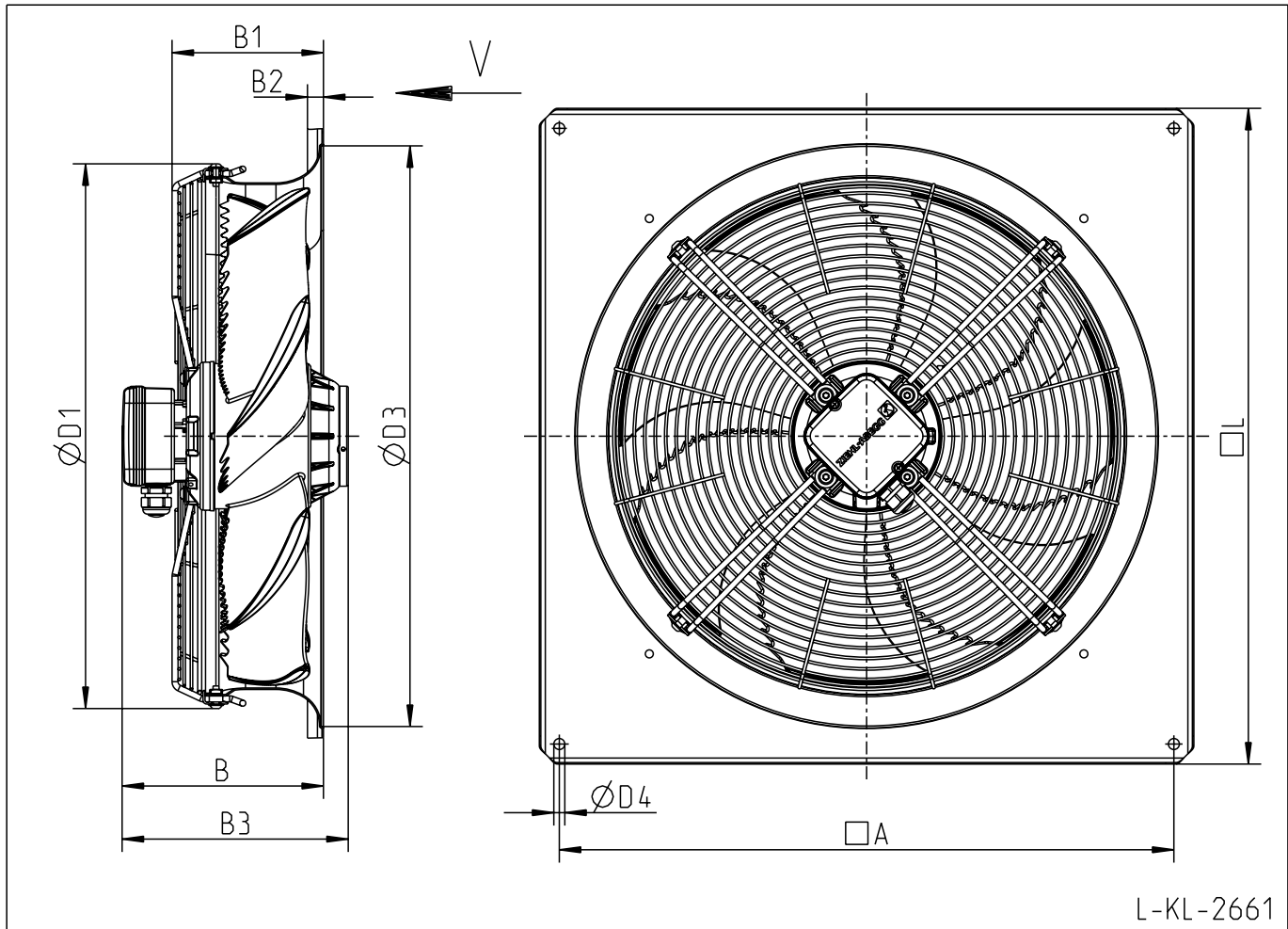
L-KL-2659

Type	Article no.	B1		B2		B3		B4		D1		D2		D3		D4		E	
		mm	inch	mm	inch	mm	inch	mm	inch	mm	inch	mm	inch	mm	inch	mm	inch	mm	inch
FN050-4EK.4I.V7P1	153 049	162	6.38	50	1.97	88	3.46	97	3.82	498	19.61	524	20.63	589	23.19	9.5	0.37	565	22.24
FN050-VDK.4I.V7P1	153 056	162	6.38	50	1.97	88	3.46	97	3.82	498	19.61	524	20.63	589	23.19	9.5	0.37	565	22.24
FN050-6EK.4F.V7P1	153 070	142	5.59	50	1.97	68	2.68	97	3.82	498	19.61	524	20.63	589	23.19	9.5	0.37	565	22.24
FN050-SDK.4F.V7P1	153 063	142	5.59	50	1.97	68	2.68	97	3.82	498	19.61	524	20.63	589	23.19	9.5	0.37	565	22.24
FN050-8EK.4C.V7P1	153 084	127	5.00	50	1.97	53	2.09	97	3.82	498	19.61	524	20.63	589	23.19	9.5	0.37	565	22.24
FN050-ADK.4C.V7P1	153 077	127	5.00	50	1.97	53	2.09	97	3.82	498	19.61	524	20.63	589	23.19	9.5	0.37	565	22.24

FE2owlet

FN050-__Q.4_.V7P1

Airflow direction	V
Design	Q
Material of impeller	Aluminium



**FN
050**

L-KL-2661

Type	Article no.	A		B		B1		B2		B3		D1		D3		D4		L	
		mm	inch	mm	inch	mm	inch	mm	inch	mm	inch	mm	inch	mm	inch	mm	inch	mm	inch
FN050-4EQ.4I.V7P1	153 050	615	24.21	201	7.91	152	5.98	16	0.63	226	8.90	544	21.42	584	22.99	11	0.43	655	25.79
FN050-VDQ.4I.V7P1	153 057	615	24.21	201	7.91	152	5.98	16	0.63	226	8.90	544	21.42	584	22.99	11	0.43	655	25.79
FN050-6EQ.4F.V7P1	153 071	615	24.21	201	7.91	152	5.98	16	0.63	206	8.11	544	21.42	584	22.99	11	0.43	655	25.79
FN050-SDQ.4F.V7P1	153 065	615	24.21	201	7.91	152	5.98	16	0.63	206	8.11	544	21.42	584	22.99	11	0.43	655	25.79
FN050-8EQ.4C.V7P1	153 085	615	24.21	201	7.91	152	5.98	16	0.63	191	7.52	544	21.42	584	22.99	11	0.43	655	25.79
FN050-ADQ.4C.V7P1	153 078	615	24.21	201	7.91	152	5.98	16	0.63	191	7.52	544	21.42	584	22.99	11	0.43	655	25.79

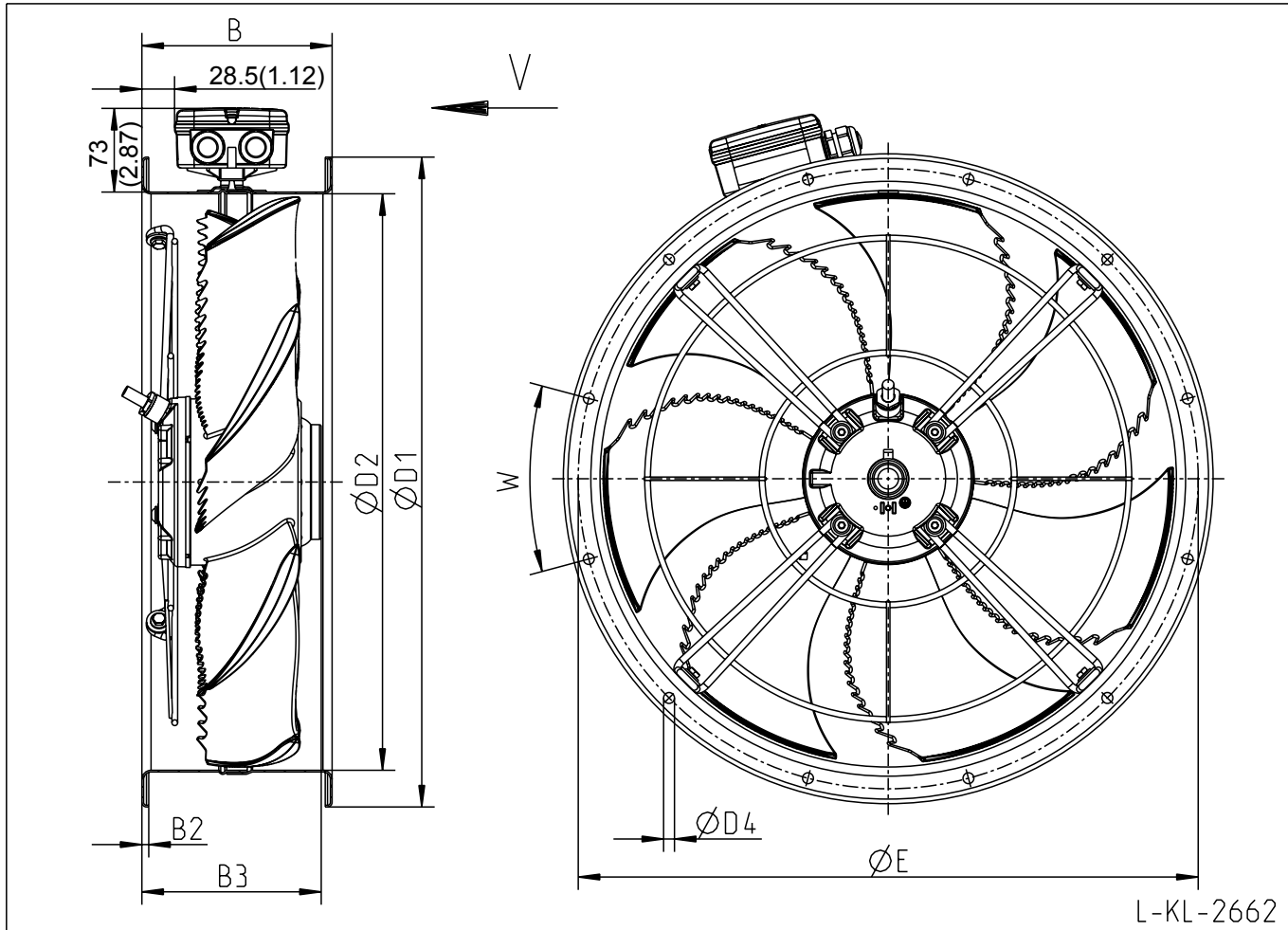
FE2owlet

FN050-__F.4_.V7P1

Airflow direction	V
Design	F^{*)}
Material of impeller	Aluminium

*) without guard grille

**FN
050**



L-KL-2662

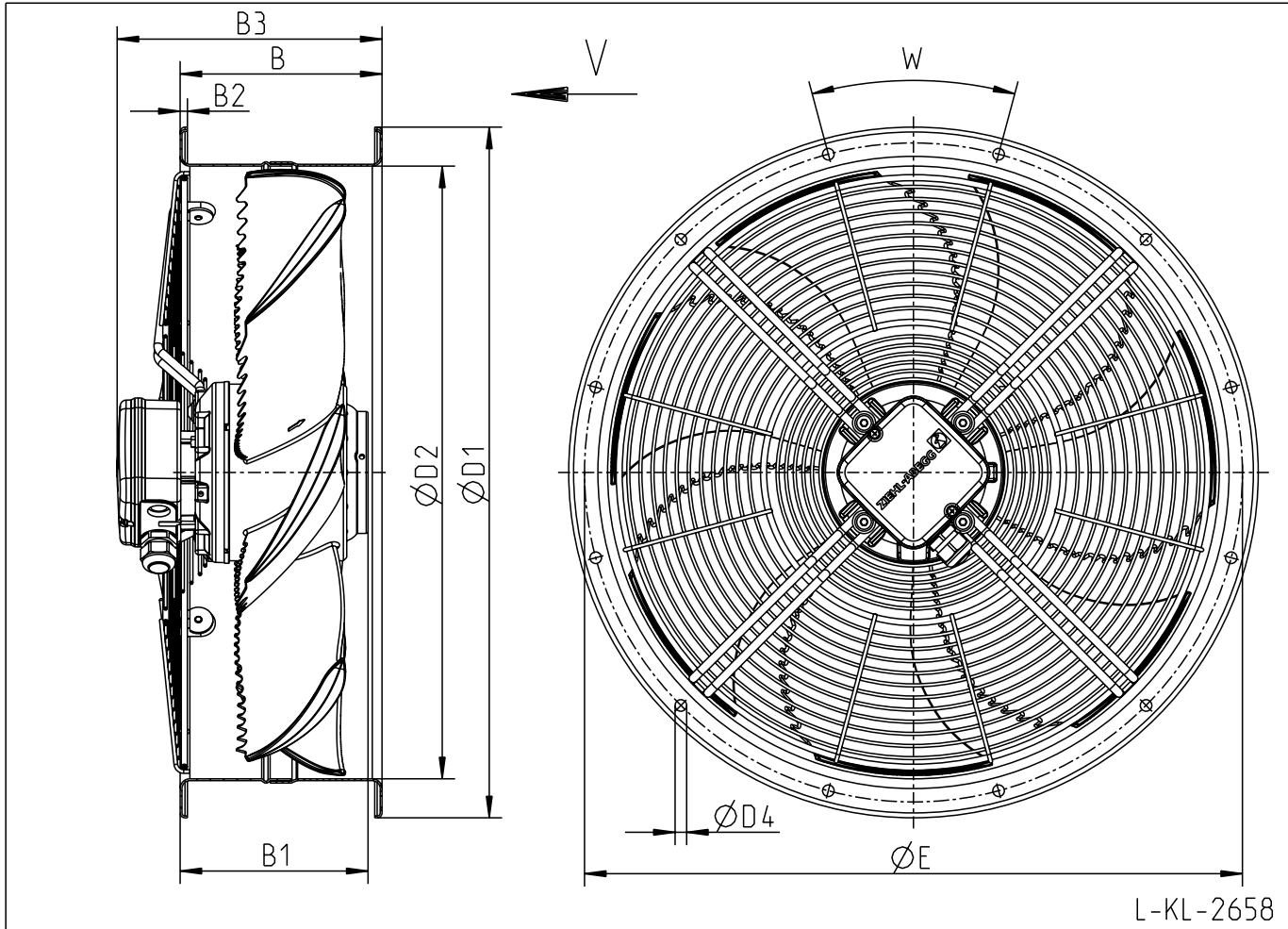
Type	Article no.	B		B2		B3		D1		D2		D4		E		W
		mm	inch	mm	inch	mm	inch	mm	inch	mm	inch	mm	inch	mm	inch	
FN050-4EF.4I.V7P1	153 051	166	6.54	6	0.24	177	6.97	567	22.32	503	19.80	9.5	0.37	541	21.30	12x30°
FN050-VDF.4I.V7P1	153 058	166	6.54	6	0.24	177	6.97	567	22.32	503	19.80	9.5	0.37	541	21.30	12x30°
FN050-6EF.4F.V7P1	153 072	166	6.54	6	0.24	157	6.18	567	22.32	503	19.80	9.5	0.37	541	21.30	12x30°
FN050-SDF.4F.V7P1	153 064	166	6.54	6	0.24	157	6.18	567	22.32	503	19.80	9.5	0.37	541	21.30	12x30°
FN050-8EF.4C.V7P1	153 086	166	6.54	6	0.24	142	5.59	567	22.32	503	19.80	9.5	0.37	541	21.30	12x30°
FN050-ADF.4C.V7P1	153 079	166	6.54	6	0.24	142	5.59	567	22.32	503	19.80	9.5	0.37	541	21.30	12x30°

FE2owlet

FN050-__F.4_.V7P1

Airflow direction	V
Design	F^{*)}
Material of impeller	Aluminium

*) with guard grille



**FN
050**

L-KL-2658

Type	Article no.	B		B1		B2		B3		D1		D2		D4		E		W
		mm	inch	mm	inch	mm	inch	mm	inch	mm	inch	mm	inch	mm	inch	mm	inch	
FN050-4EF.4I.V7P1	153 052	166	6.54	175	6.89	6	0.24	218	8.58	567	22.32	503	19.80	9.5	0.37	541	21.30	12x30°
FN050-VDF.4I.V7P1	153 059	166	6.54	175	6.89	6	0.24	218	8.58	567	22.32	503	19.80	9.5	0.37	541	21.30	12x30°
FN050-6EF.4F.V7P1	153 073	166	6.54	155	6.10	6	0.24	218	8.58	567	22.32	503	19.80	9.5	0.37	541	21.30	12x30°
FN050-SDF.4F.V7P1	153 066	166	6.54	155	6.10	6	0.24	218	8.58	567	22.32	503	19.80	9.5	0.37	541	21.30	12x30°
FN050-8EF.4C.V7P1	153 087	166	6.54	140	5.51	6	0.24	218	8.58	567	22.32	503	19.80	9.5	0.37	541	21.30	12x30°
FN050-ADF.4C.V7P1	153 080	166	6.54	140	5.51	6	0.24	218	8.58	567	22.32	503	19.80	9.5	0.37	541	21.30	12x30°

FN
050