

Technical data

**Axial fans
Series FC**



Axial fans Design FC

Contents of delivery

Standard version

Voltage

1~115 V
3~265/460 V Δ /Y

Frequency

60 Hz

Thermal insulation class

155 (previous: insulation class F)

Protection

IP 54

Motor protection

Thermostat switch (TB)

Paint finish

RAL 9005 black

Accessories

See section Accessories

Necessary order data

Article no., Type

On request, at extra charge

- Different voltage to 115 resp.460 V
- 50 Hz



FC... design A



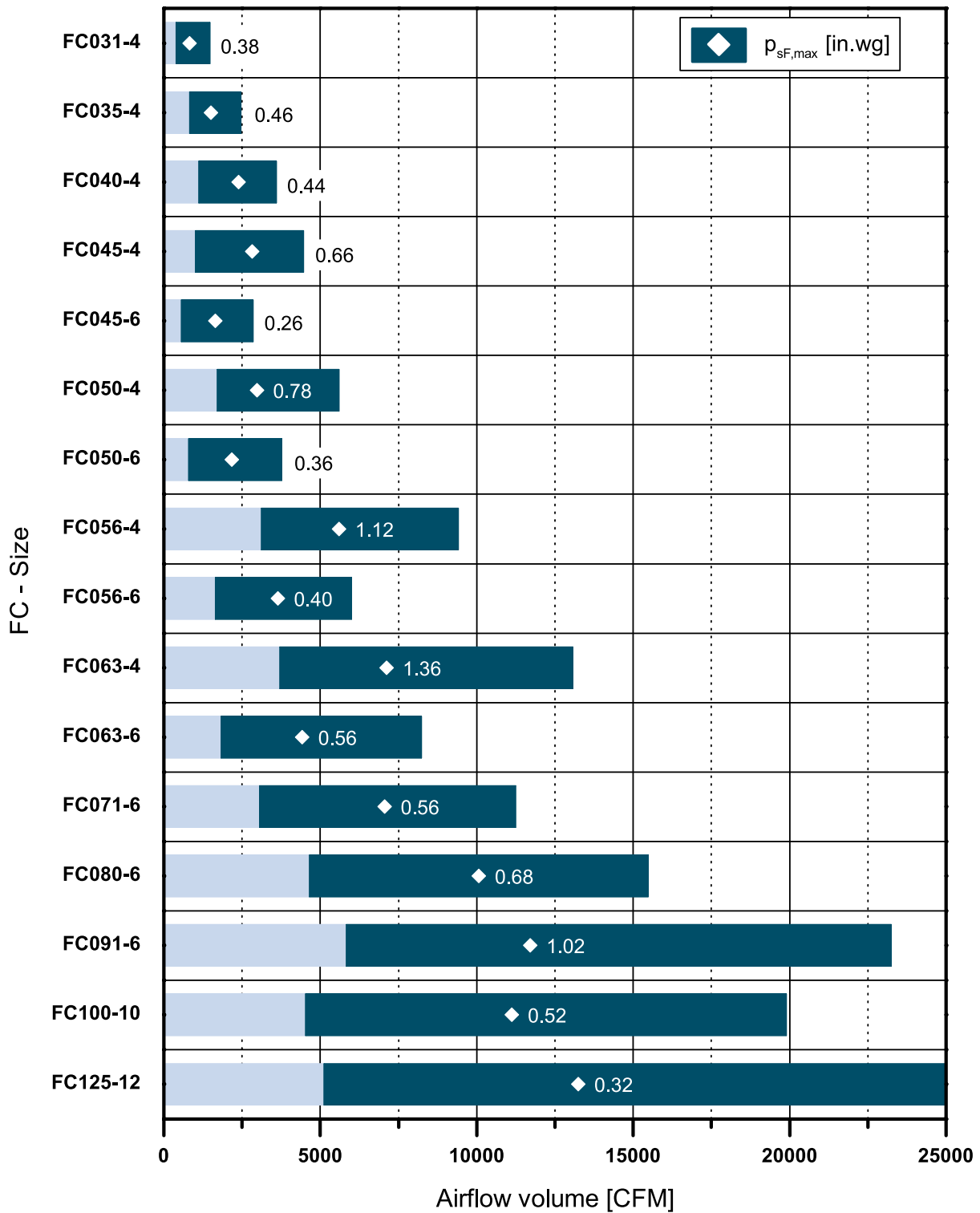
FC... design Q / "V"



FC... design Q / "A"

FC

Quick selection



FC

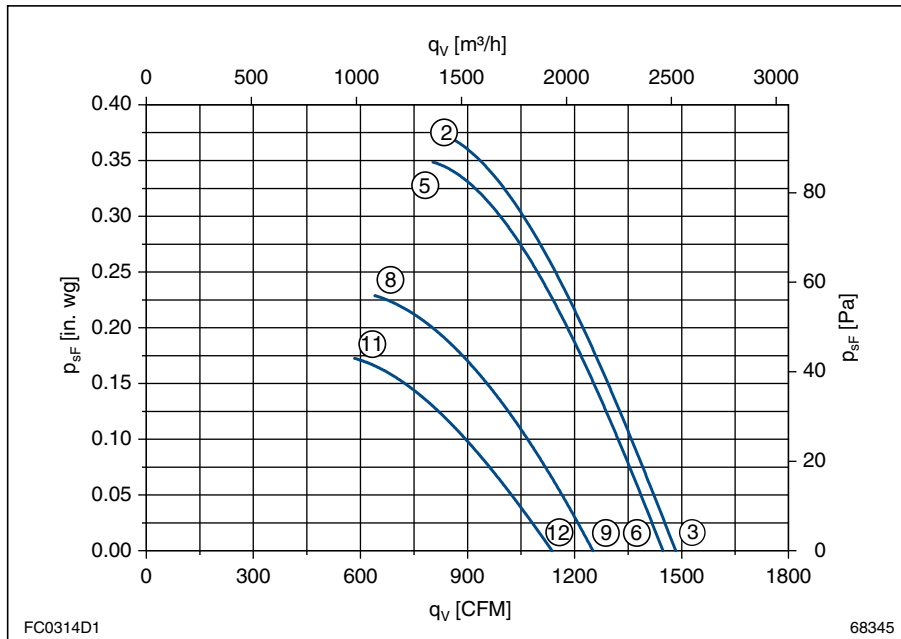
FC031-4D_.2A.A6

Performance data

3 ~ 460V 60Hz

P_1	0.16	kW
I	0.27	A
n	1640	rpm
I_A	1.0	A
ΔI	10	%
t_R	70/158	°C/°F

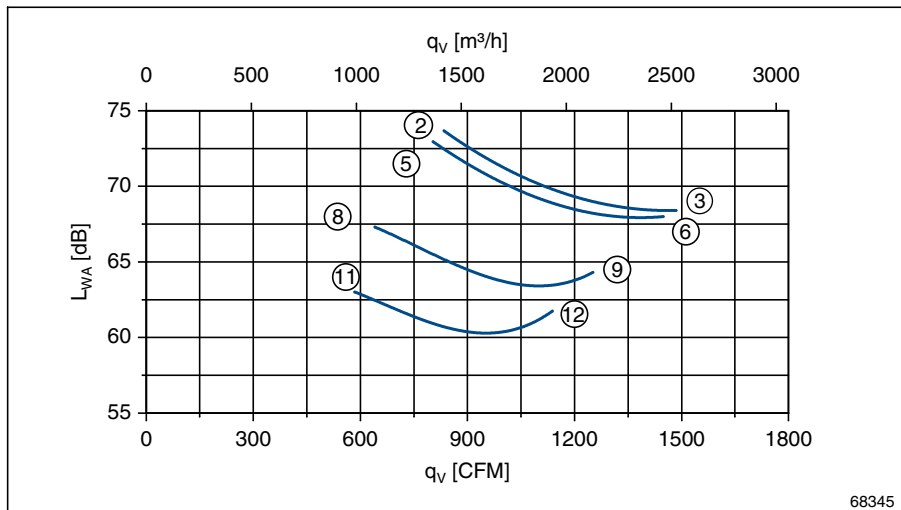
Characteristic data



	U	I	P_1	n
	V	A	W	rpm
②	460	0.27	160	1640
③		0.25	130	1680
⑤	400	0.27	150	1580
⑥		0.23	120	1650
⑧	265	0.29	120	1280
⑨		0.24	97	1420
⑪	230	0.29	105	1120
⑫		0.25	89	1290

$$p_{d2} = 7.5 \cdot 10^{-6} \cdot q_v^2$$

measured in full bell mouth
without guard grille in installation
type A according to ISO 5801



Dimension sheet

Type	Article no.	Design	Airflow direction	Weight		Connection diagram	Dimension sheet	Page
				kg	lbs.			
FC031-4DA.2A.A6	140 690	A	A	3.0	6.6	106XB	L-KL-2675	73
FC031-4DD.2A.A6	140 691	D	A	3.4	7.5	106XB	L-KL-2673	79
FC031-4DQ.2A.A6	140 692	Q	A	5.8	13	106XB	L-KL-2674	86

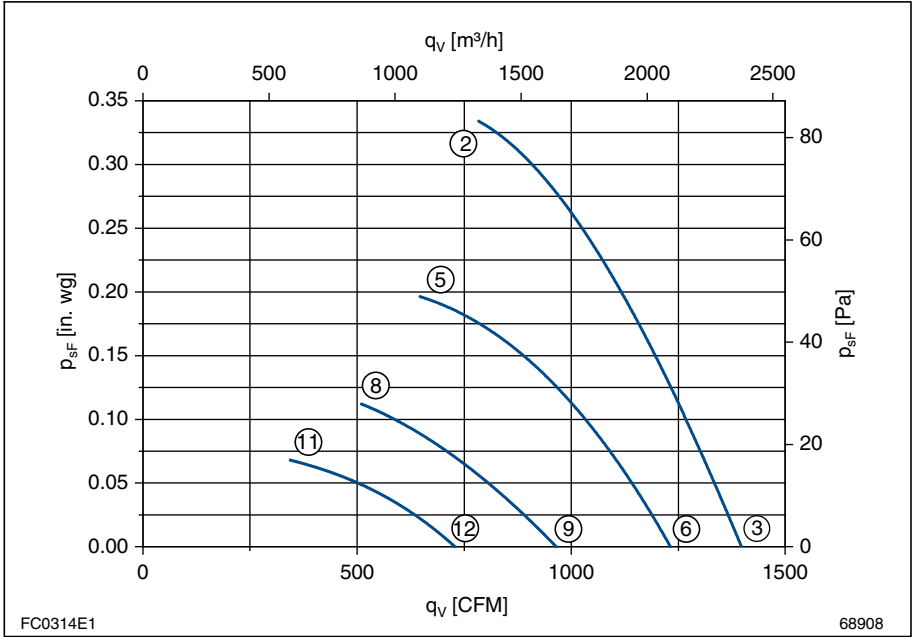
FC031-4E_.2A.A6

Performance data

1 ~ 115V 60Hz

P_1	0.18	kW
I	1.60	A
n	1530	rpm
I_A	3.0	A
ΔI	0	%
C_{230V}	12	μF
t_R	70/158	$^{\circ}C/^{\circ}F$

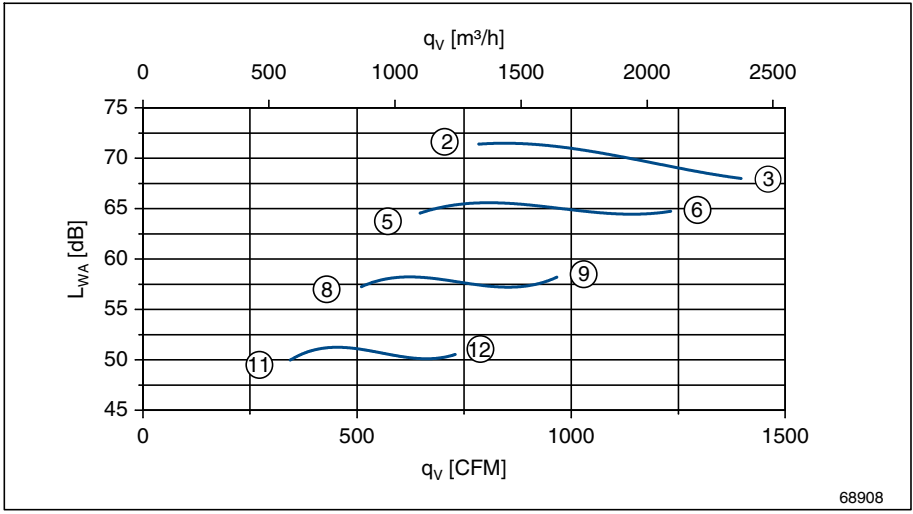
Characteristic data



	U	I	P ₁	n
	V	A	W	rpm
②	115	1.60	180	1530
③		1.45	165	1620
⑤	85	1.25	100	1200
⑥		1.25	105	1430
⑧	68	0.99	62	910
⑨		1.00	64	1130
⑪	55	0.79	40	690
⑫		0.80	41	860

$$p_{d2} = 7.5 \cdot 10^{-6} \cdot q_v^2$$

FC



measured in full bell mouth without guard grille in installation type A according to ISO 5801

Dimension sheet

Type	Article no.	Design	Airflow direction	Weight		Connection diagram	Dimension sheet	Page
				kg	lbs.			
FC031-4EA.2A.A6	141 423	A	A	3.0	6.6	118XB	L-KL-2675	73
FC031-4ED.2A.A6	141 424	D	A	3.4	7.5	118XB	L-KL-2676	80
FC031-4EQ.2A.A6	141 425	Q	A	5.8	13	118XB	L-KL-2677	87

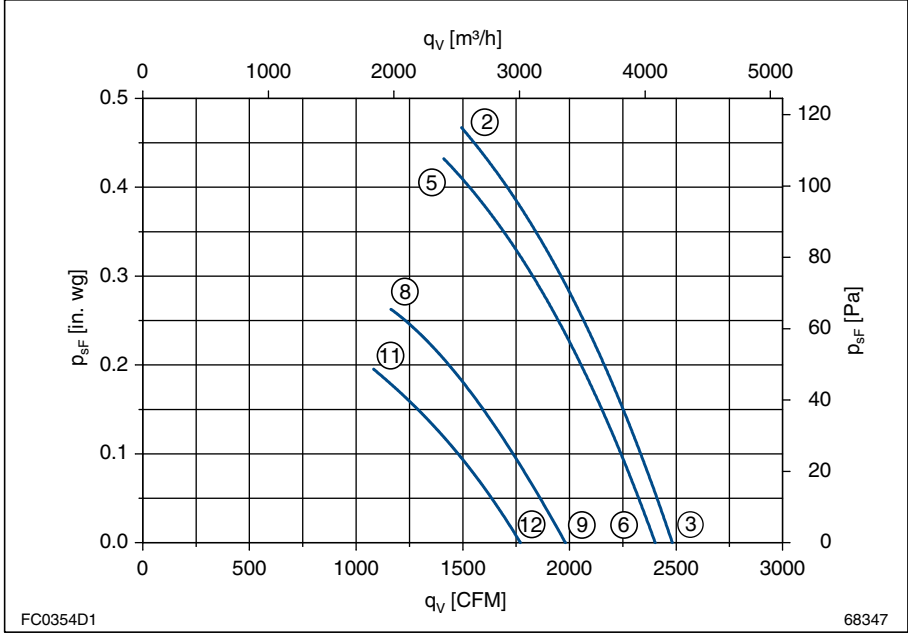
FC035-4D_.2C.A7

Performance data

3 ~ 460V 60Hz

P_1	0.27	kW
I	0.42	A
n	1600	rpm
I_{Δ}	1.5	A
ΔI	5	%
t_R	70/158	°C/°F

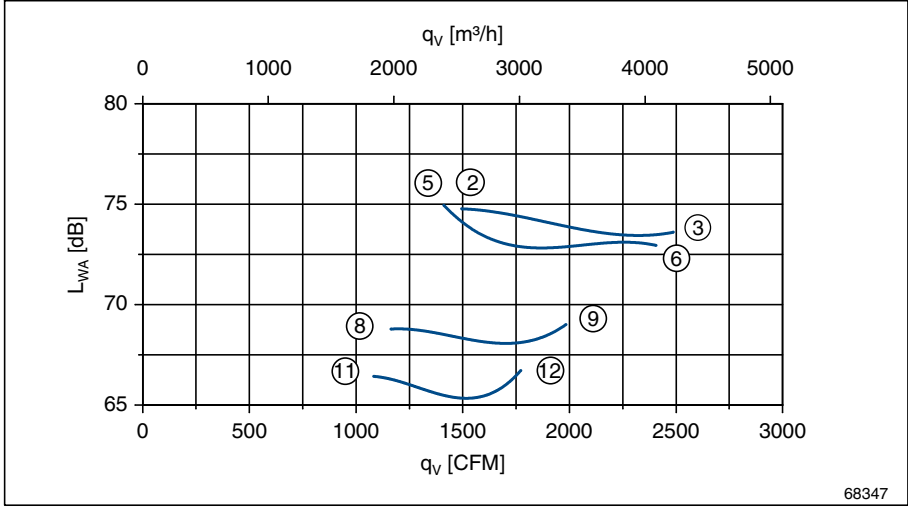
Characteristic data



	U	I	P ₁	n
	V	A	W	rpm
②	460	0.42	270	1600
③		0.39	230	1640
⑤	400	0.42	250	1570
⑥		0.38	220	1580
⑧	265	0.44	185	1230
⑨		0.41	170	1310
⑪	230	0.44	155	1090
⑫		0.41	145	1170

$$p_{d2} = 4.7 \cdot 10^{-6} \cdot q_v^2$$

measured in full bell mouth without guard grille in installation type A according to ISO 5801



Dimension sheet

Type	Article no.	Design	Airflow direction	Weight		Connection diagram	Dimension sheet	Page
				kg	lbs.			
FC035-4DA.2C.A7	141 426	A	A	3.8	8.4	106XB	L-KL-2675	73
FC035-4DD.2C.A7	141 427	D	A	4.6	10	106XB	L-KL-2673	79
FC035-4DQ.2C.A7	141 428	Q	A	7.3	16	106XB	L-KL-2674	86

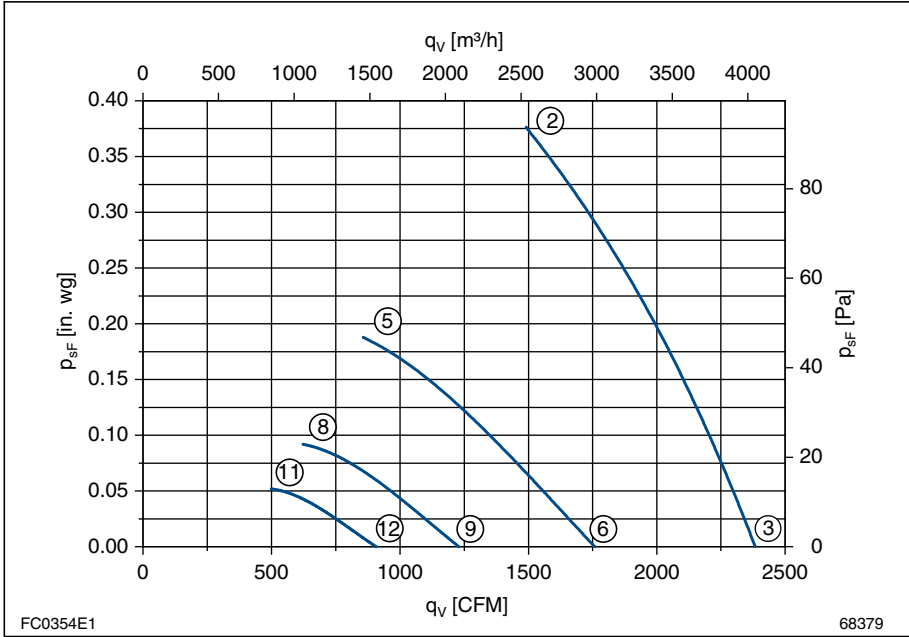
FC035-4E_.2C.A7

Performance data

1 ~ 115V 60Hz

P_1	0.26	kW
I	2.3	A
n	1500	rpm
I_A	3.5	A
ΔI	0	%
C_{230V}	20	μF
t_R	60/140	$^{\circ}C/^{\circ}F$

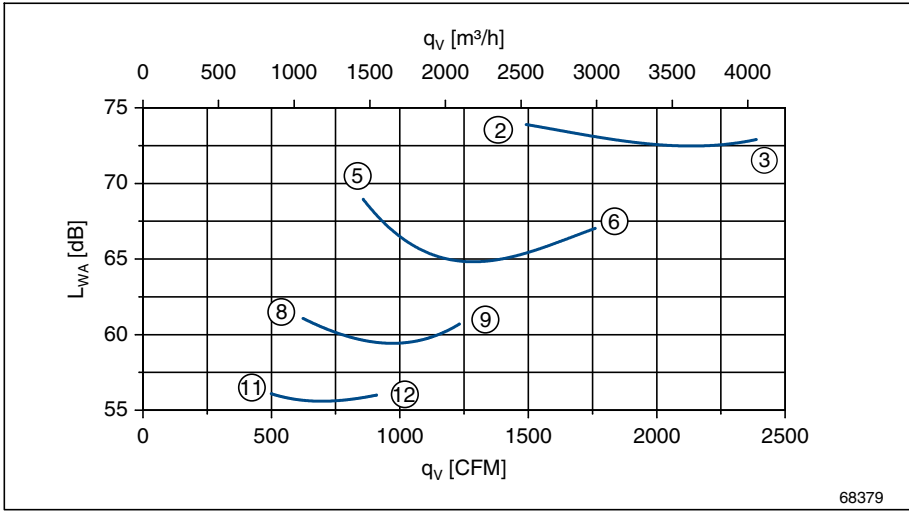
Characteristic data



	U	I	P_1	n
	V	A	W	rpm
②	115	2.30	260	1500
③		2.20	240	1570
⑤	85	2.00	155	1150
⑥		2.00	160	1170
⑧	68	1.65	99	800
⑨		1.65	100	820
⑪	55	1.35	65	600
⑫		1.35	64	610

$$p_{d2} = 4.7 \cdot 10^{-6} \cdot q_v^2$$

FC



measured in full bell mouth without guard grille in installation type A according to ISO 5801

Dimension sheet

Type	Article no.	Design	Airflow direction	Weight		Connection diagram	Dimension sheet	Page
				kg	lbs.			
FC035-4EA.2C.A7	141 429	A	A	3.8	8.4	118XB	L-KL-2675	73
FC035-4ED.2C.A7	141 430	D	A	4.6	10	118XB	L-KL-2676	80
FC035-4EQ.2C.A7	141 431	Q	A	7.3	16	118XB	L-KL-2677	87

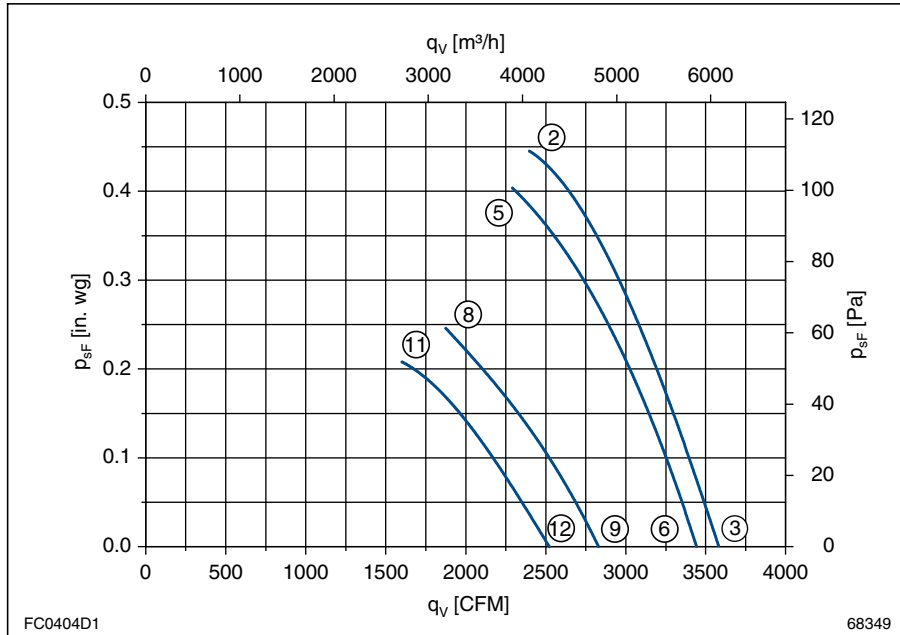
FC040-4D_.2F.A7

Performance data

3 ~ 460V 60Hz

P_1	0.41	kW
I	0.64	A
n	1570	rpm
I_A	2.2	A
ΔI	5	%
t_R	70/158	°C/°F

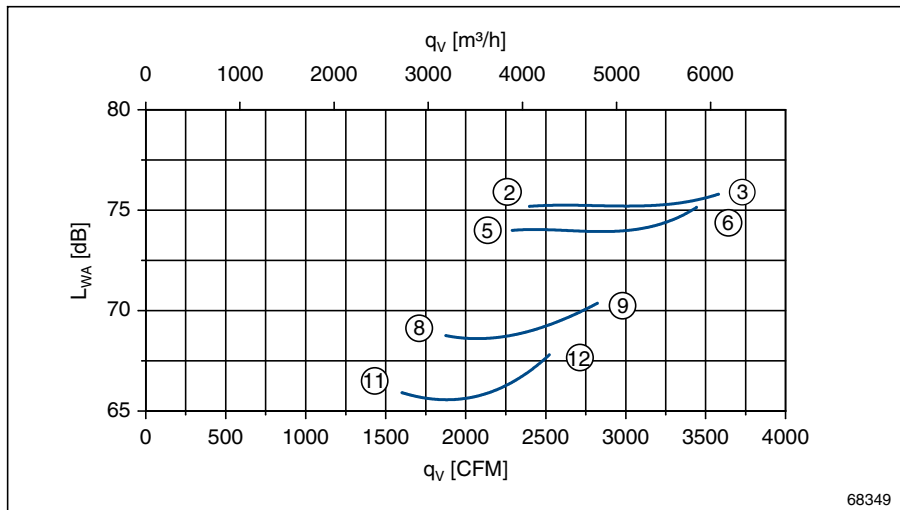
Characteristic data



	U	I	P ₁	n
	V	A	W	rpm
②	460	0.64	410	1570
③		0.61	380	1600
⑤	400	0.64	380	1510
⑥		0.60	350	1540
⑧	265	0.67	280	1200
⑨		0.64	270	1260
⑪	230	0.66	240	1070
⑫		0.63	230	1130

$$p_{d2} = 2.9 \cdot 10^{-6} \cdot q_v^2$$

measured in full bell mouth
without guard grille in installation
type A according to ISO 5801



Dimension sheet

Type	Article no.	Design	Airflow direction	Weight		Connection diagram	Dimension sheet	Page
				kg	lbs.			
FC040-4DA.2F.A7	141 432	A	A	4.9	11	106XB	L-KL-2675	73
FC040-4DD.2F.A7	141 433	D	A	6.0	13	106XB	L-KL-2673	79
FC040-4DQ.2F.A7	141 434	Q	A	9.5	21	106XB	L-KL-2674	86

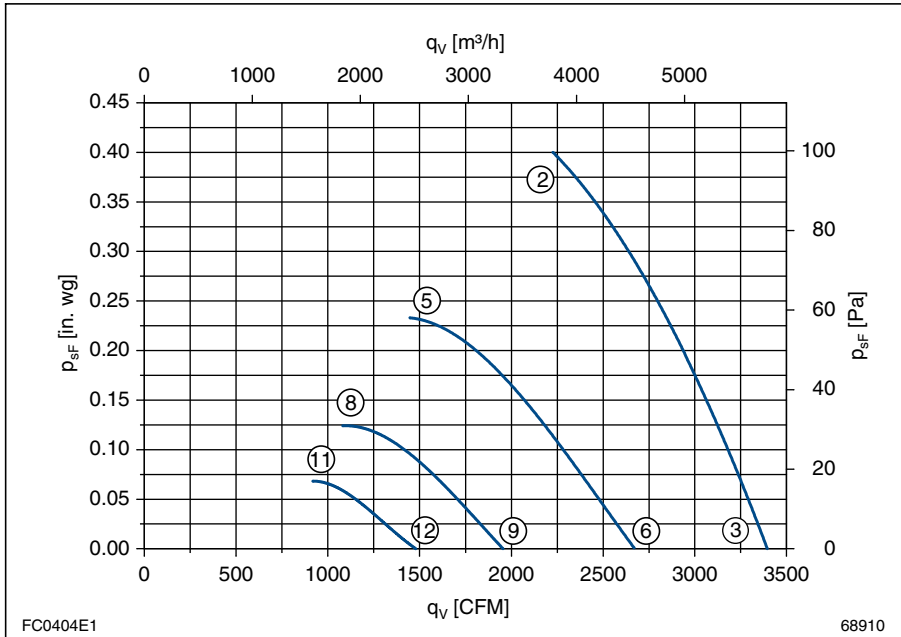
FC040-4E_.2F.A7

Performance data

1 ~ 115V 60Hz

P_1	0.41	kW
I	3.7	A
n	1500	rpm
I_A	8.0	A
ΔI	5	%
C_{230V}	20	μF
t_R	70/158	$^{\circ}C/^{\circ}F$

Characteristic data

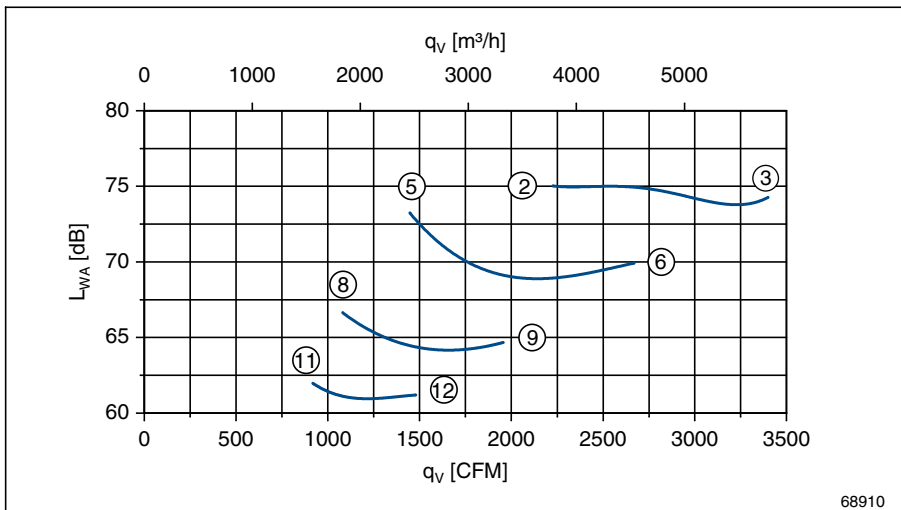


	U	I	P_1	n
	V	A	W	rpm
②	115	3.7	410	1500
③		3.5	390	1540
⑤	85	3.5	280	1210
⑥		3.5	280	1210
⑧	68	3.1	195	900
⑨		3.1	195	890
⑪	55	2.6	130	680
⑫		2.6	130	670

$$p_{d2} = 2.9 \cdot 10^{-6} \cdot q_v^2$$

FC

measured in full bell mouth
without guard grille in installation
type A according to ISO 5801



Dimension sheet

Type	Article no.	Design	Airflow direction	Weight		Connection diagram	Dimension sheet	Page
				kg	lbs.			
FC040-4EA.2F.A7	141 435	A	A	4.9	11	118XB	L-KL-2675	73
FC040-4ED.2F.A7	141 436	D	A	6.0	13	118XB	L-KL-2676	80
FC040-4EQ.2F.A7	141 437	Q	A	9.5	21	118XB	L-KL-2677	87

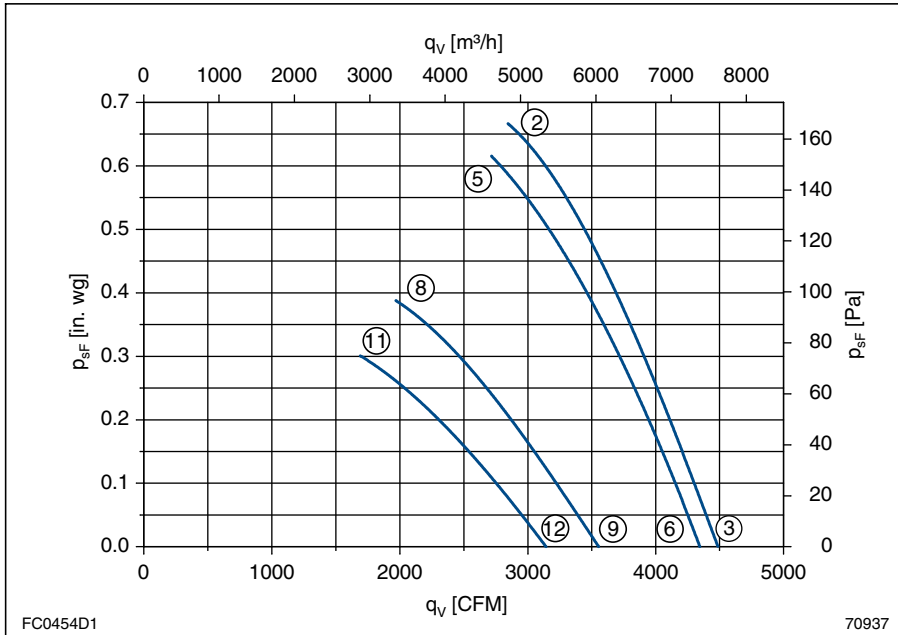
FC045-4D_.4F.A7

Performance data

3 ~ 460V 60Hz

P_1	0.6	kW
I	1.15	A
n	1620	rpm
I_A	4.2	A
ΔI	0	%
t_R	60/140	°C/°F

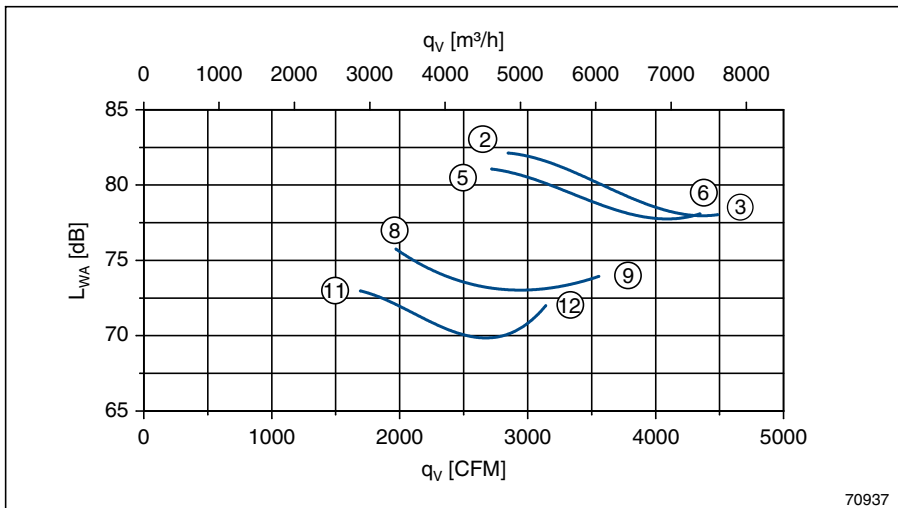
Characteristic data



	U	I	P ₁	n
	V	A	W	rpm
②	460	1.15	600	1620
③		1.00	490	1660
⑤	400	1.10	550	1560
⑥		0.98	460	1610
⑧	265	1.10	370	1200
⑨		1.00	340	1320
⑪	230	1.05	300	1060
⑫		0.98	280	1170

$$p_{d2} = 1.8 \cdot 10^{-6} \cdot q_v^2$$

measured in full bell mouth
without guard grille in installation
type A according to ISO 5801



Dimension sheet

Type	Article no.	Design	Airflow direction	Weight		Connection diagram	Dimension sheet	Page
				kg	lbs.			
FC045-4DA.4F.A7	141 438	A	A	7.4	16	106XB	L-KL-2679	74
FC045-4DD.4F.A7	141 439	D	A	8.6	19	106XB	L-KL-2680	81
FC045-4DQ.4F.A7	141 440	Q	A	13	28	106XB	L-KL-2681	88

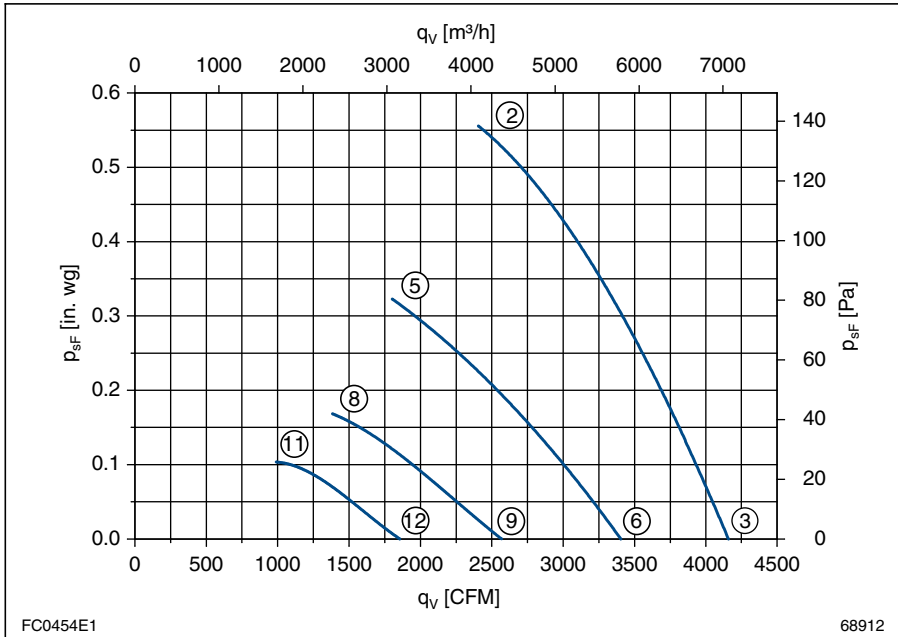
FC045-4E_.4F.A7

Performance data

1 ~ 115V 60Hz

P_1	0.52	kW
I	4.6	A
n	1460	rpm
I_A	10	A
ΔI	5	%
C_{230V}	30	μF
t_R	70/158	$^{\circ}C/^{\circ}F$

Characteristic data

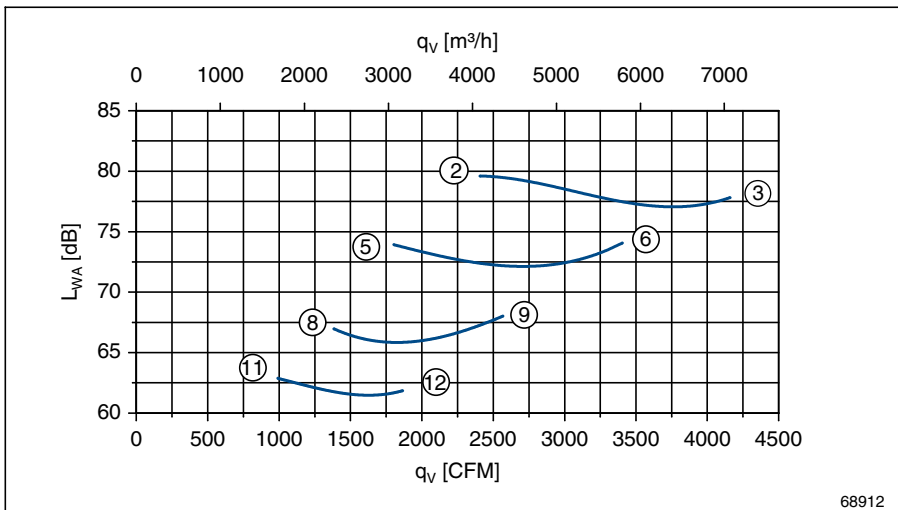


	U	I	P_1	n
	V	A	W	rpm
②	115	4.6	520	1460
③		4.0	450	1530
⑤	85	4.8	380	1100
⑥		4.3	350	1260
⑧	68	4.3	270	810
⑨		4.1	260	950
⑪	55	3.7	185	660
⑫		3.5	175	700

$$p_{d2} = 1.8 \cdot 10^{-6} \cdot q_v^2$$

FC

measured in full bell mouth
without guard grille in installation
type A according to ISO 5801



Dimension sheet

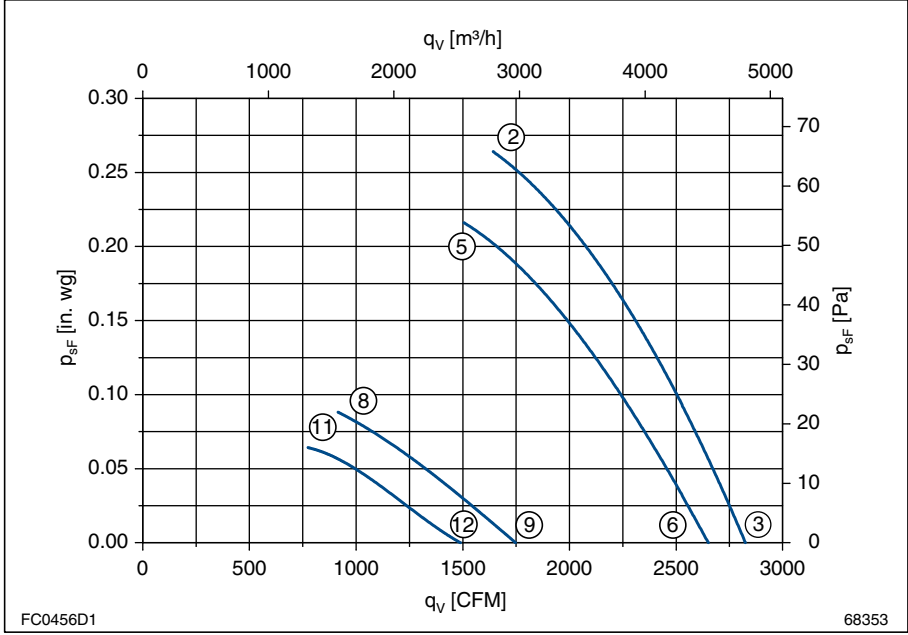
Type	Article no.	Design	Airflow direction	Weight		Connection diagram	Dimension sheet	Page
				kg	lbs.			
FC045-4EA.4F.A7	141 596	A	A	7.4	16	118XB	L-KL-2682	75
FC045-4ED.4F.A7	141 597	D	A	8.6	19	118XB	L-KL-2683	82
FC045-4EQ.4F.A7	141 598	Q	A	13	28	118XB	L-KL-2684	89

FC045-6D_.4C.A7

Performance data
3 ~ 460V 60Hz

P_1	0.18	kW
I	0.35	A
n	1010	rpm
I_A	1	A
ΔI	0	%
t_R	70/158	°C/°F

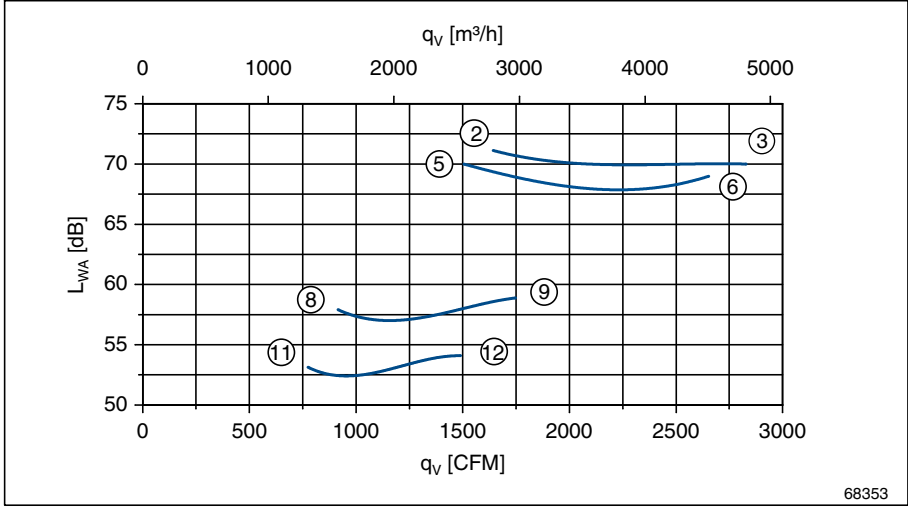
Characteristic data



	U	I	P ₁	n
	V	A	W	rpm
②	460	0.35	180	1010
③		0.31	155	1060
⑤	400	0.36	160	920
⑥		0.31	140	990
⑧	265	0.30	79	570
⑨		0.29	78	650
⑪	230	0.27	59	490
⑫		0.26	59	560

$$p_{d2} = 1.8 \cdot 10^{-6} \cdot q_v^2$$

measured in full bell mouth
without guard grille in installation
type A according to ISO 5801



Dimension sheet

Type	Article no.	Design	Airflow direction	Weight		Connection diagram	Dimension sheet	Page
				kg	lbs.			
FC045-6DA.4C.A7	141 444	A	A	6	13	106XB	L-KL-2679	74
FC045-6DD.4C.A7	141 445	D	A	7.2	16	106XB	L-KL-2680	81
FC045-6DQ.4C.A7	141 446	Q	A	11	24	106XB	L-KL-2681	88

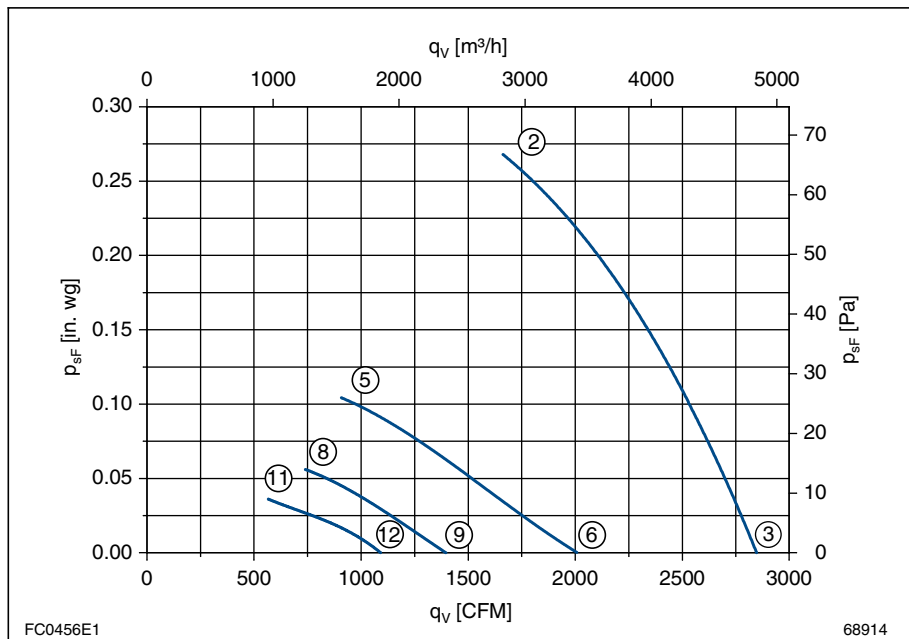
FC045-6E_.4C.A7

Performance data

1 ~115V 60Hz

P_1	0.2	kW
I	1.80	A
n	1010	rpm
I_A	2.5	A
ΔI	0	%
C_{230V}	16	μF
t_R	70/158	$^{\circ}C/^{\circ}F$

Characteristic data

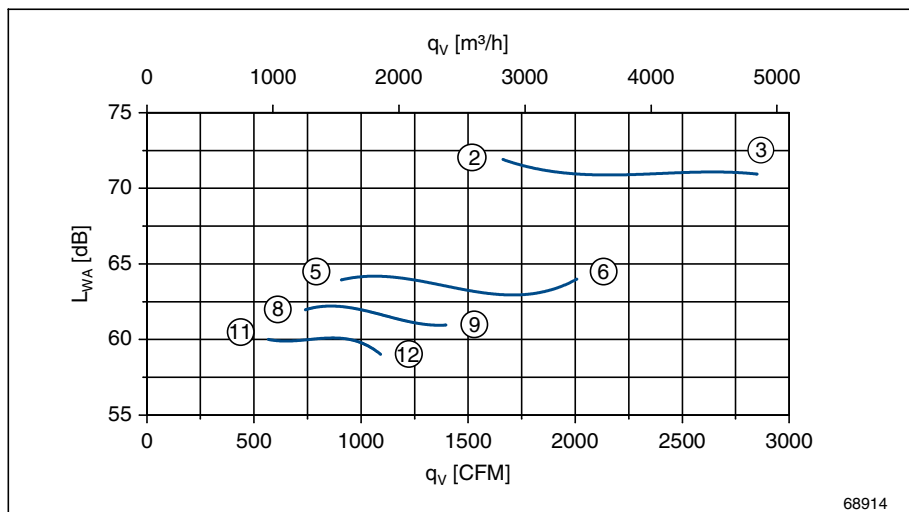


	U	I	P_1	n
	V	A	W	rpm
②	115	1.80	200	1010
③		1.65	190	1070
⑤	85	1.50	115	660
⑥		1.50	115	750
⑧	68	1.20	71	460
⑨		1.20	72	530
⑪	55	0.95	46	360
⑫		0.95	46	410

$$p_{d2} = 1.8 \cdot 10^{-6} \cdot q_v^2$$

FC

measured in full bell mouth
without guard grille in installation
type A according to ISO 5801



Dimension sheet

Type	Article no.	Design	Airflow direction	Weight		Connection diagram	Dimension sheet	Page
				kg	lbs.			
FC045-6EA.4C.A7	141 599	A	A	6	13	118XB	L-KL-2682	75
FC045-6ED.4C.A7	141 600	D	A	7.2	16	118XB	L-KL-2683	82
FC045-6EQ.4C.A7	141 601	Q	A	11	24	118XB	L-KL-2684	89

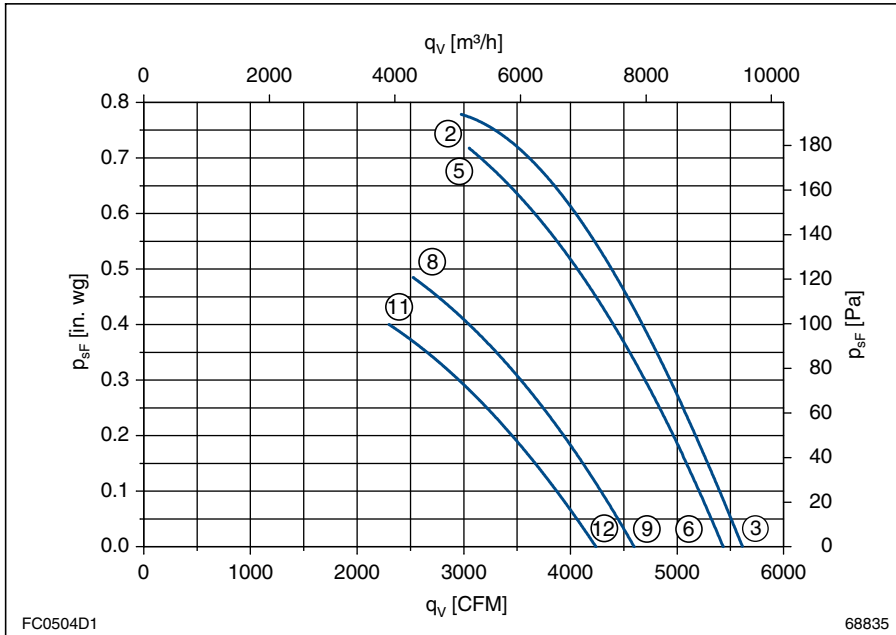
FC050-4D_.4I.A7

Performance data

3 ~ 460V 60Hz

P_1	0.78	kW
I	1.3	A
n	1570	rpm
I_A	5.5	A
ΔI	0	%
t_R	70/158	°C/°F

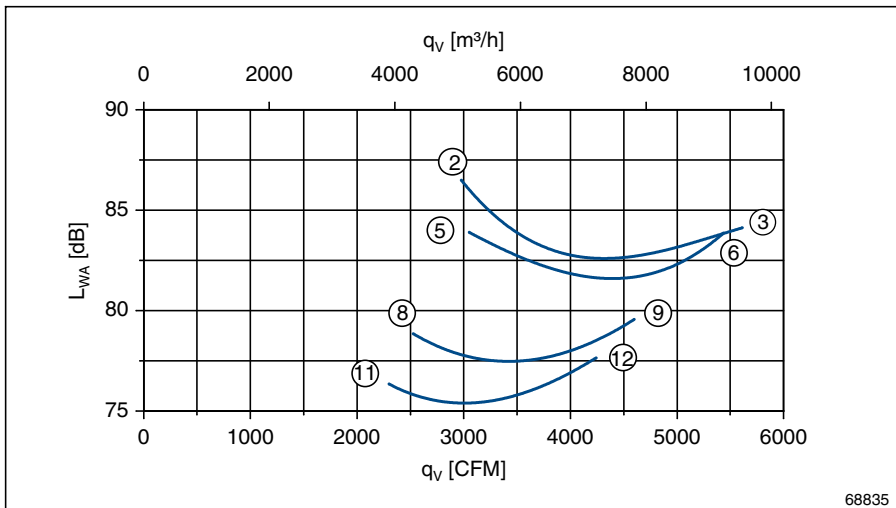
Characteristic data



	U	I	P ₁	n
	V	A	W	rpm
②	460	1.30	780	1570
③		1.20	650	1610
⑤	400	1.35	730	1500
⑥		1.15	610	1560
⑧	265	1.30	520	1230
⑨		1.15	460	1340
⑪	230	1.30	450	1120
⑫		1.15	400	1230

$$p_{d2} = 1.2 \cdot 10^{-6} \cdot q_v^2$$

measured in full bell mouth
without guard grille in installation
type A according to ISO 5801



Dimension sheet

Type	Article no.	Design	Airflow direction	Weight		Connection diagram	Dimension sheet	Page
				kg	lbs.			
FC050-4DA.4I.A7	141 450	A	A	9.4	21	106XB	L-KL-2679	74
FC050-4DD.4I.A7	141 451	D	A	12	26	106XB	L-KL-2680	81
FC050-4DQ.4I.A7	141 452	Q	A	18	40	106XB	L-KL-2681	88

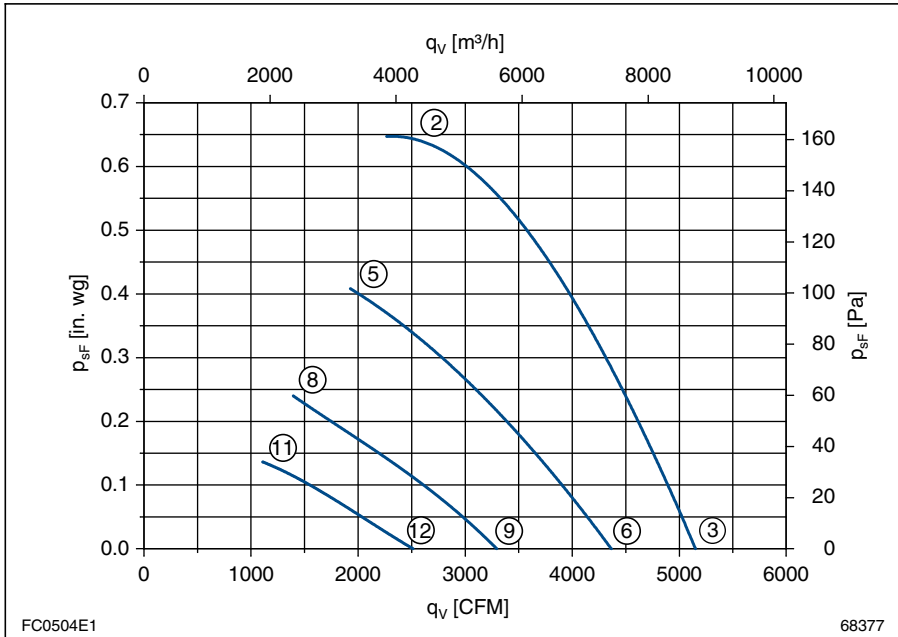
FC050-4E_.4I.A7

Performance data

1 ~ 115V 60Hz

P_1	0.77	kW
I	6.8	A
n	1470	rpm
I_A	14.5	A
ΔI	0	%
C_{230V}	50	μF
t_R	70/158	$^{\circ}C/^{\circ}F$

Characteristic data

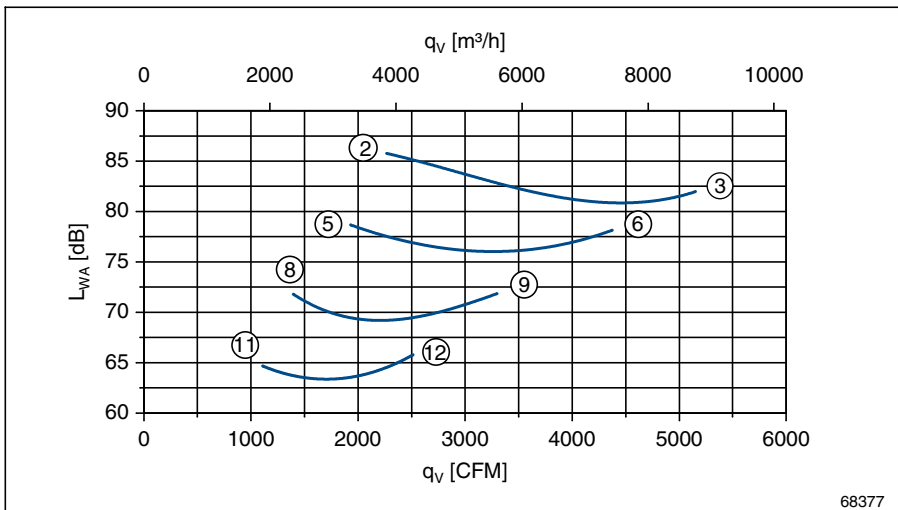


	U	I	P_1	n
	V	A	W	rpm
②	115	6.8	770	1470
③		6.3	730	1500
⑤	85	6.5	550	1160
⑥		6.1	520	1280
⑧	68	5.8	390	890
⑨		5.6	370	970
⑪	55	5.0	270	670
⑫		4.9	260	740

$$p_{d2} = 1.2 \cdot 10^{-6} \cdot q_v^2$$

FC

measured in full bell mouth
without guard grille in installation
type A according to ISO 5801



Dimension sheet

Type	Article no.	Design	Airflow direction	Weight		Connection diagram	Dimension sheet	Page
				kg	lbs.			
FC050-4EA.4I.A7	141 453	A	A	9.4	21	118XB	L-KL-2682	75
FC050-4ED.4I.A7	141 454	D	A	12	26	118XB	L-KL-2683	82
FC050-4EQ.4I.A7	141 455	Q	A	18	40	118XB	L-KL-2684	89

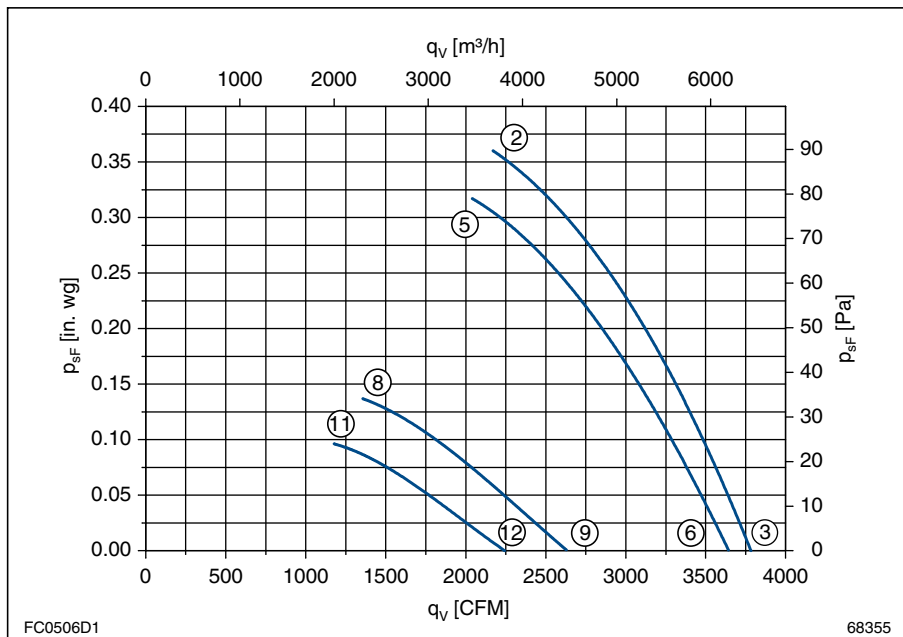
FC050-6D_.4C.A7

Performance data

3 ~ 460V 60Hz

P_1	0.31	kW
I	0.63	A
n	1040	rpm
I_A	1.4	A
ΔI	0	%
t_R	70/158	°C/°F

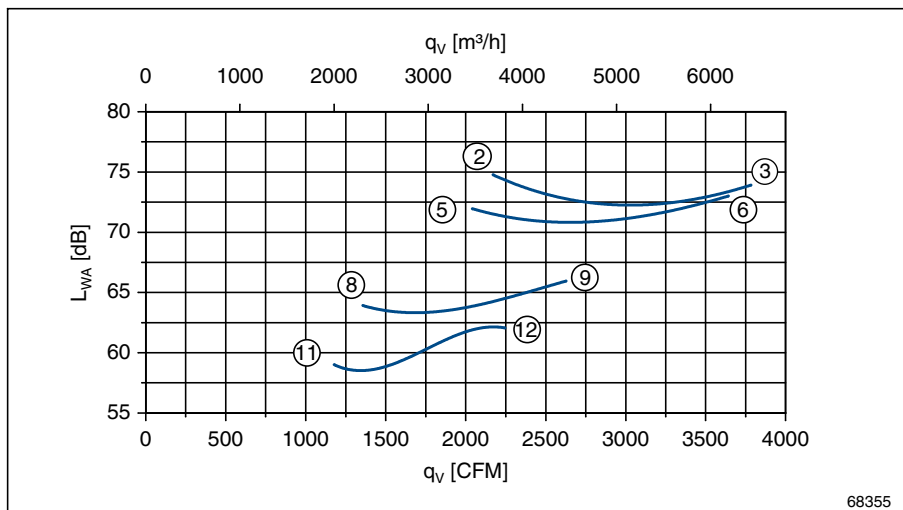
Characteristic data



	U	I	P ₁	n
	V	A	W	rpm
②	460	0.63	310	1040
③		0.55	250	1090
⑤	400	0.63	280	980
⑥		0.54	230	1050
⑧	265	0.56	155	640
⑨		0.52	145	760
⑪	230	0.50	115	550
⑫		0.48	110	650

$$p_{d2} = 1.2 \cdot 10^{-6} \cdot q_v^2$$

measured in full bell mouth
without guard grille in installation
type A according to ISO 5801



Dimension sheet

Type	Article no.	Design	Airflow direction	Weight		Connection diagram	Dimension sheet	Page
				kg	lbs.			
FC050-6DA.4C.A7	141 456	A	A	6.4	14	106XB	L-KL-2679	74
FC050-6DD.4C.A7	141 457	D	A	8.6	19	106XB	L-KL-2680	81
FC050-6DQ.4C.A7	141 458	Q	A	15	34	106XB	L-KL-2681	88

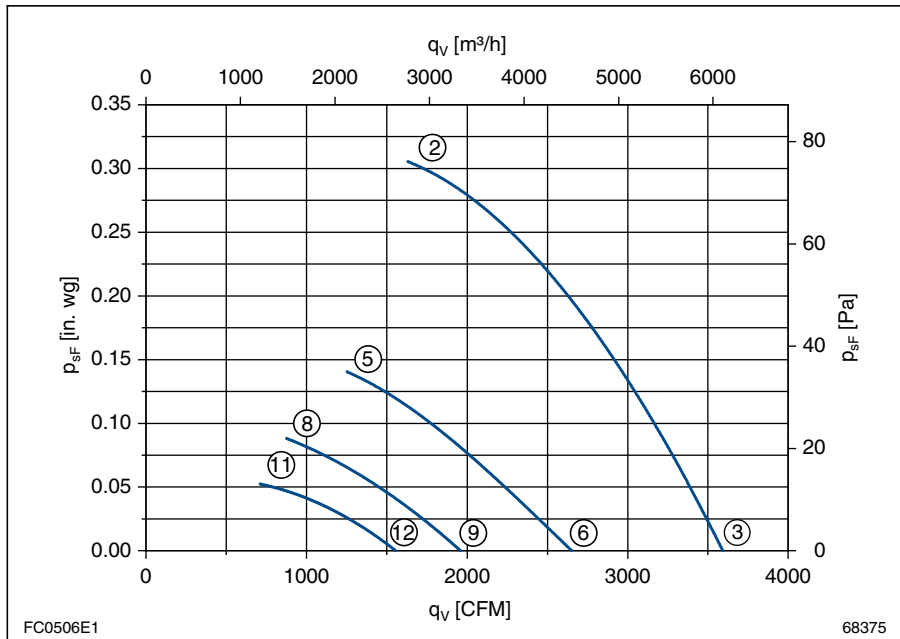
FC050-6E_.4F.A7

Performance data

1 ~ 115V 60Hz

P_1	0.28	kW
I	2.7	A
n	960	rpm
I_A	7	A
ΔI	0	%
C_{230V}	25	μF
t_R	70/158	$^{\circ}C/^{\circ}F$

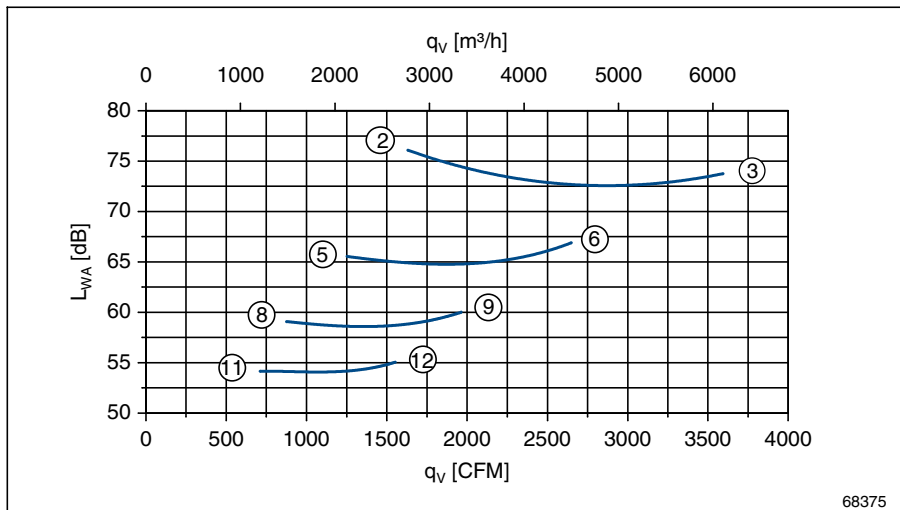
Characteristic data



	U	I	P_1	n
	V	A	W	rpm
②	115	2.7	280	960
③		2.4	270	1060
⑤	85	2.1	165	690
⑥		2.1	165	780
⑧	68	1.7	100	540
⑨		1.7	100	590
⑪	55	1.35	67	430
⑫		1.35	68	470

$$p_{d2} = 1.2 \cdot 10^{-6} \cdot q_v^2$$

FC



measured in full bell mouth
without guard grille in installation
type A according to ISO 5801

Dimension sheet

Type	Article no.	Design	Airflow direction	Weight		Connection diagram	Dimension sheet	Page
				kg	lbs.			
FC050-6EA.4F.A7	141 459	A	A	7.8	17	118XB	L-KL-2682	75
FC050-6ED.4F.A7	141 460	D	A	10	22	118XB	L-KL-2683	82
FC050-6EQ.4F.A7	141 461	Q	A	17	37	118XB	L-KL-2684	89

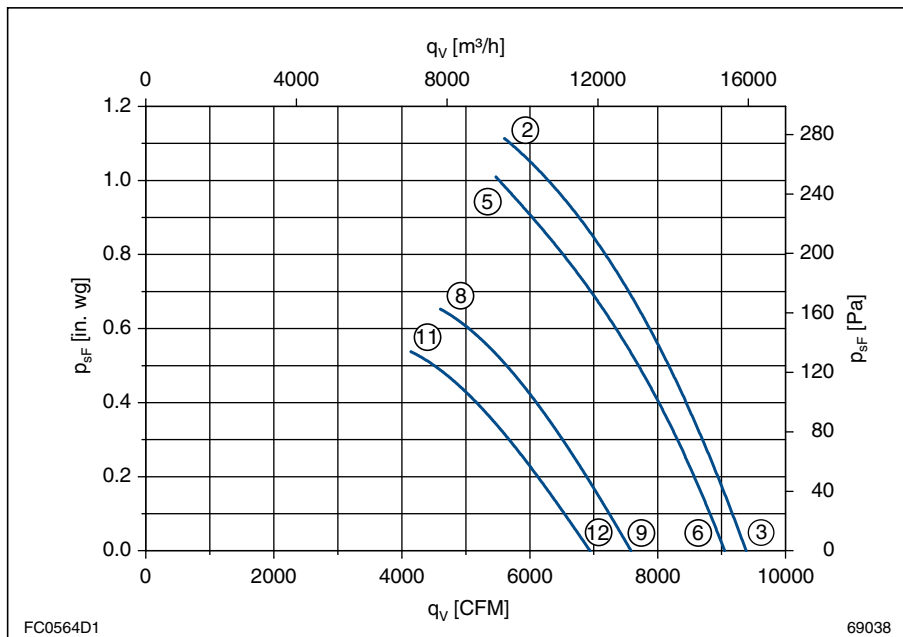
FC056-4D_.6K.A7

Performance data

3 ~ 460V 60Hz

P_1	2.0	kW
I	3.45	A
n	1590	rpm
I_A	15.5	A
ΔI	0	%
t_R	70/158	°C/°F

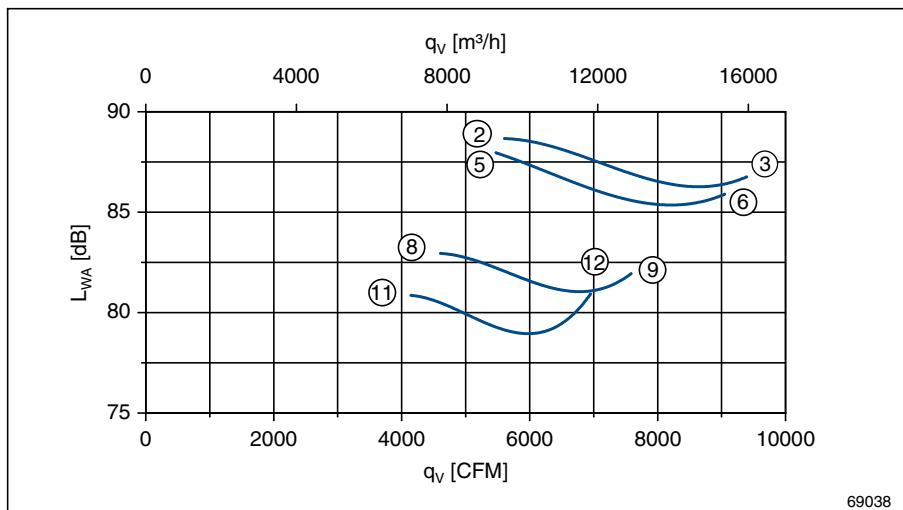
Characteristic data



	U	I	P ₁	n
	V	A	W	rpm
②	460	3.4	2010	1590
③		3.2	1770	1620
⑤	400	3.4	1860	1530
⑥		3.1	1640	1570
⑧	265	3.5	1300	1250
⑨		3.2	1190	1320
⑪	230	3.4	1090	1140
⑫		3.1	1020	1210

$$p_{d2} = 7.7 \cdot 10^{-7} \cdot q_v^2$$

measured in full bell mouth
without guard grille in installation
type A according to ISO 5801



Dimension sheet

Type	Article no.	Design	Airflow direction	Weight		Connection diagram	Dimension sheet	Page
				kg	lbs.			
FC056-4DA.6K.A7	141 462	A	A	18	40	106XB	L-KL-2685	76
FC056-4DD.6K.A7	141 463	D	A	21	45	106XB	L-KL-2686	83
FC056-4DQ.6K.A7	141 464	Q	A	29	64	106XB	L-KL-2687	90

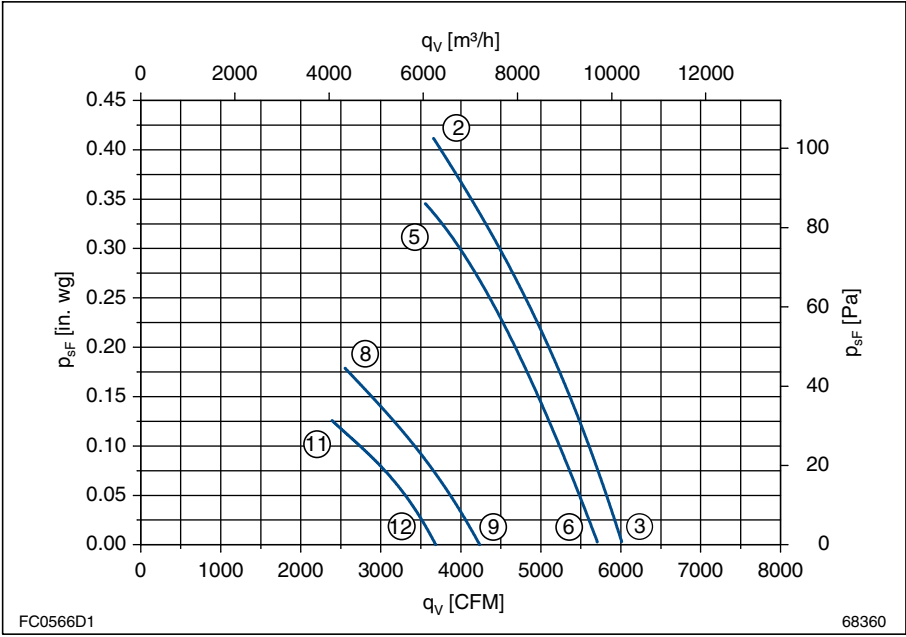
FC056-6D_.4F.A7

Performance data

3 ~ 460V 60Hz

P_1	0.57	kW
I	1.0	A
n	1020	rpm
I_A	3.5	A
ΔI	0	%
t_R	70/158	°C/°F

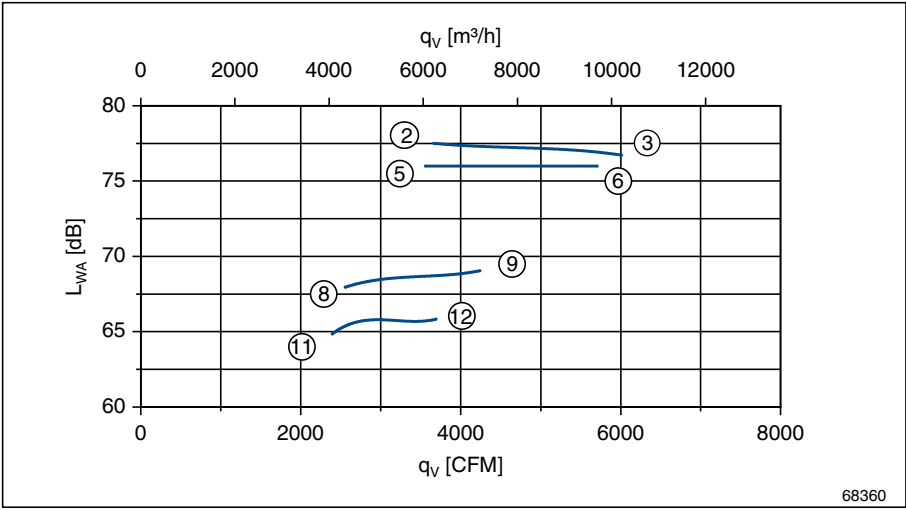
Characteristic data



	U	I	P ₁	n
	V	A	W	rpm
②	460	1.00	570	1020
③		0.91	500	1050
⑤	400	0.99	510	960
⑥		0.90	450	1000
⑧	265	0.91	300	690
⑨		0.86	290	750
⑪	230	0.84	240	610
⑫		0.80	230	660

$$p_{d2} = 7.7 \cdot 10^{-7} \cdot q_v^2$$

FC



measured in full bell mouth without guard grille in installation type A according to ISO 5801

Dimension sheet

Type	Article no.	Design	Airflow direction	Weight		Connection diagram	Dimension sheet	Page
				kg	lbs.			
FC056-6DA.4F.A7	141 465	A	A	8.4	18	106XB	L-KL-2679	74
FC056-6DD.4F.A7	141 466	D	A	11	24	106XB	L-KL-2680	81
FC056-6DQ.4F.A7	141 467	Q	A	19	42	106XB	L-KL-2681	88

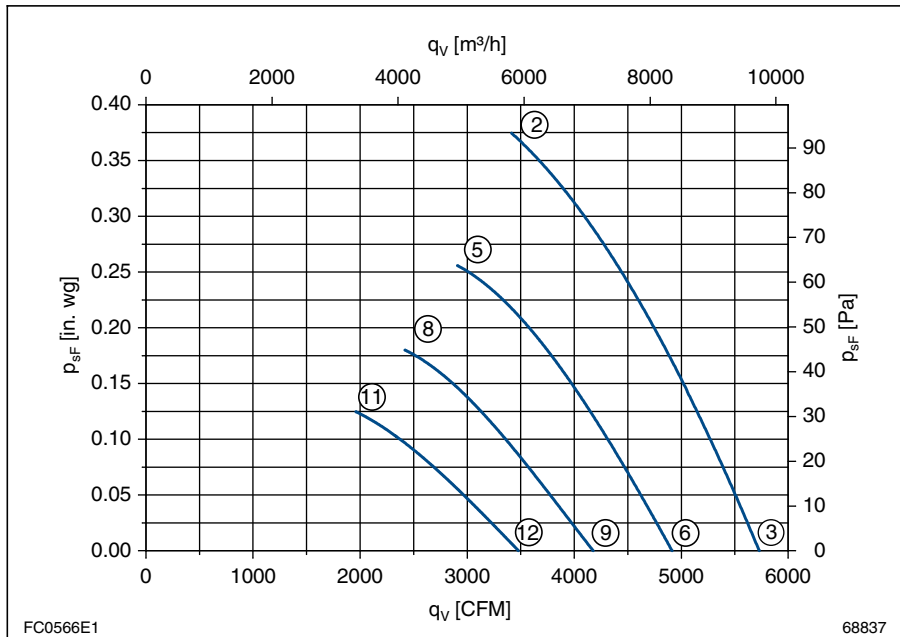
FC056-6E_.4I.A7

Performance data

1 ~ 115V 60Hz

P_1	0.63	kW
I	5.5	A
n	960	rpm
I_A	10	A
ΔI	0	%
C_{230V}	50	μF
t_R	70/158	$^{\circ}C/^{\circ}F$

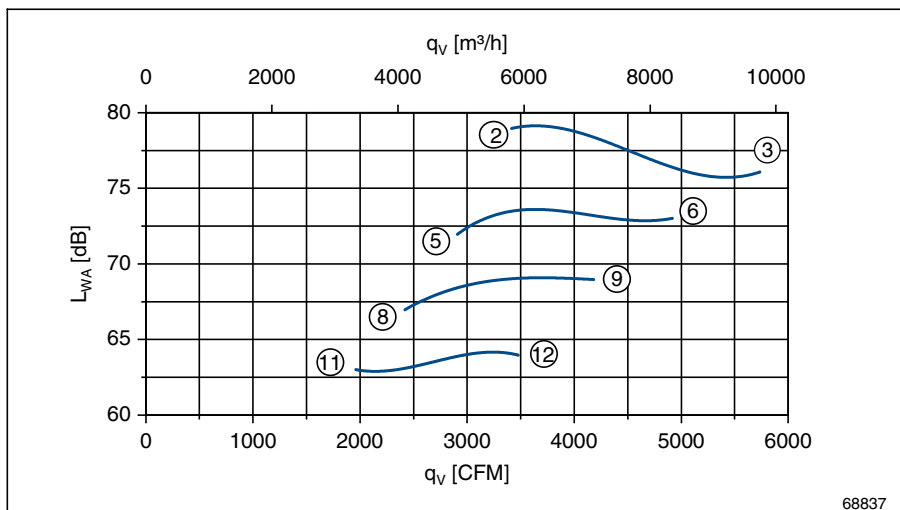
Characteristic data



	U	I	P_1	n
	V	A	W	rpm
②	115	5.5	630	960
③		5.2	590	1000
⑤	85	4.8	410	810
⑥		4.6	390	860
⑧	68	4.2	290	670
⑨		4.1	280	730
⑪	55	3.7	200	550
⑫		3.6	195	610

$$p_{d2} = 7.7 \cdot 10^{-7} \cdot q_v^2$$

measured in full bell mouth
without guard grille in installation
type A according to ISO 5801



Dimension sheet

Type	Article no.	Design	Airflow direction	Weight		Connection diagram	Dimension sheet	Page
				kg	lbs.			
FC056-6EA.4I.A7	141 605	A	A	10	22	118XB	L-KL-2682	75
FC056-6ED.4I.A7	141 606	D	A	13	28	118XB	L-KL-2683	82
FC056-6EQ.4I.A7	141 607	Q	A	21	46	118XB	L-KL-2684	89

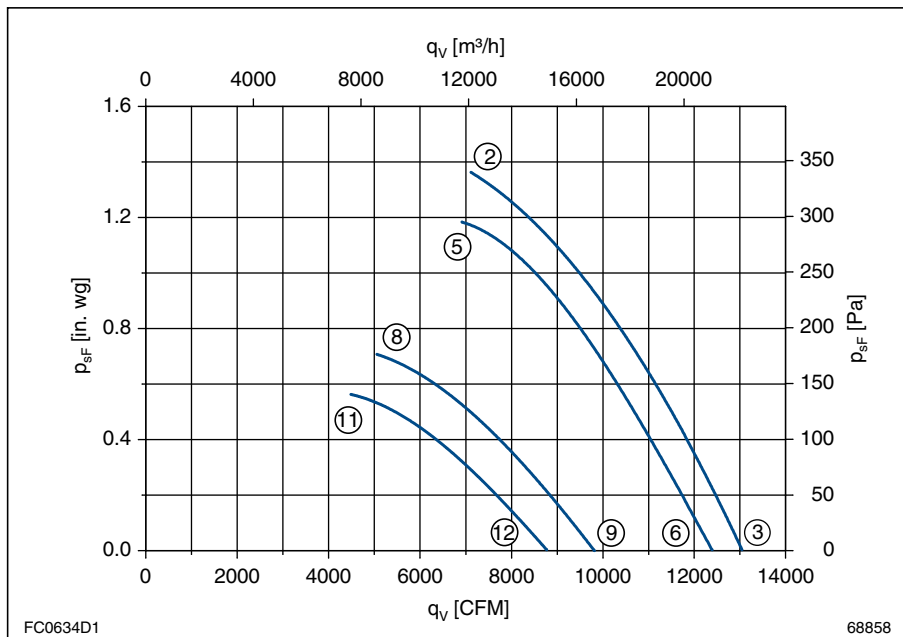
FC063-4D_.6N.A7

Performance data

3 ~ 460V 60Hz

P_1	3.3	kW
I	5.0	A
n	1500	rpm
I_A	25	A
ΔI	5	%
t_R	55/131	°C/°F

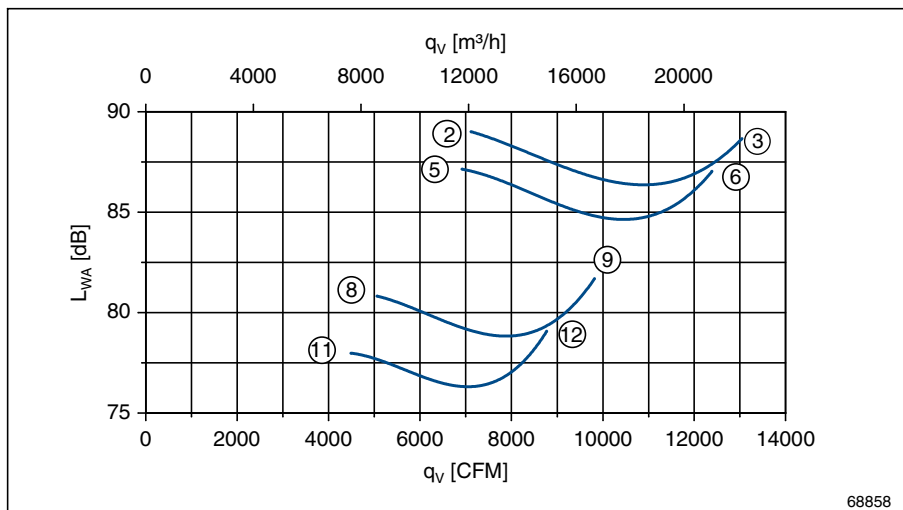
Characteristic data



	U	I	P ₁	n
	V	A	W	rpm
②	460	5.0	3310	1500
③		4.3	2810	1560
⑤	400	5.1	2980	1410
⑥		4.4	2570	1490
⑧	265	4.9	1870	1090
⑨		4.5	1730	1180
⑪	230	4.6	1520	970
⑫		4.3	1430	1060

$$p_{d2} = 4.6 \cdot 10^{-7} \cdot q_v^2$$

FC



measured in full bell mouth
without guard grille in installation
type A according to ISO 5801

Dimension sheet

Type	Article no.	Design	Airflow direction	Weight		Connection diagram	Dimension sheet	Page
				kg	lbs.			
FC063-4DA.6N.A7	141 471	A	A	24	52	106XB	L-KL-2685	76
FC063-4DD.6N.A7	141 472	D	A	27	60	106XB	L-KL-2686	83
FC063-4DQ.6N.A7	141 473	Q	A	38	83	106XB	L-KL-2687	90

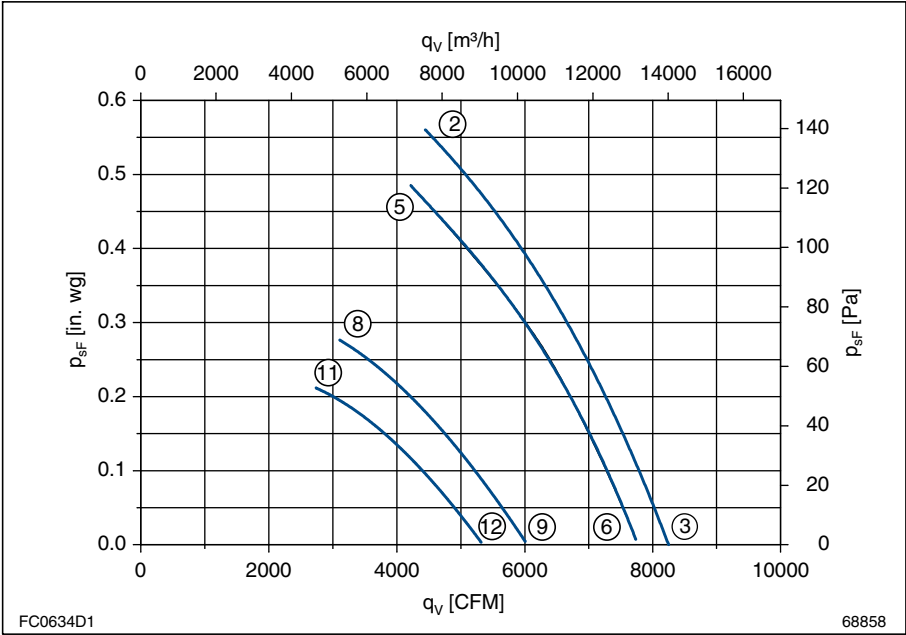
FC063-6D_.6F.A7

Performance data

3 ~ 460V 60Hz

P_1	0.88	kW
I	1.5	A
n	980	rpm
I_A	5	A
ΔI	0	%
t_R	70/158	°C/°F

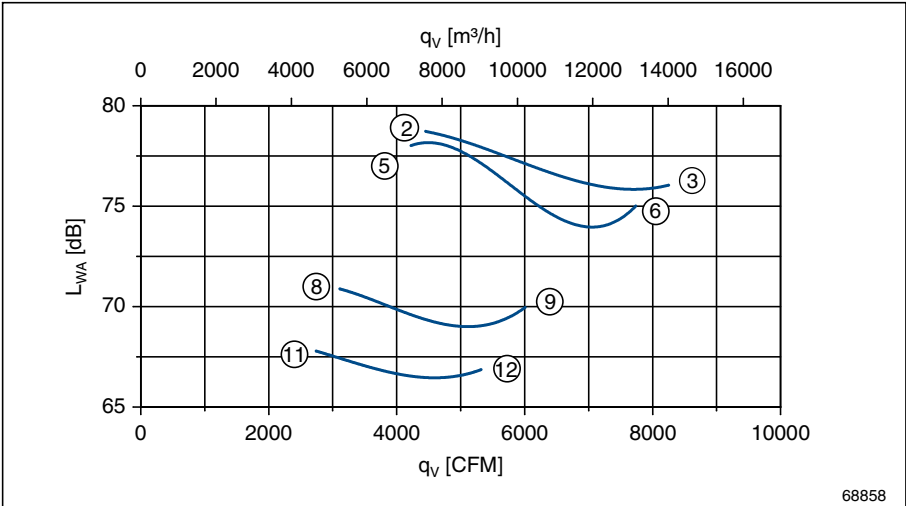
Characteristic data



	U	I	P ₁	n
	V	A	W	rpm
②	460	1.50	880	980
③		1.40	780	1010
⑤	400	1.50	790	920
⑥		1.35	710	960
⑧	265	1.40	480	690
⑨		1.30	460	740
⑪	230	1.30	380	610
⑫		1.25	370	670

$$p_{d2} = 4.6 \cdot 10^{-7} \cdot q_v^2$$

measured in full bell mouth
without guard grille in installation
type A according to ISO 5801



Dimension sheet

Type	Article no.	Design	Airflow direction	Weight		Connection diagram	Dimension sheet	Page
				kg	lbs.			
FC063-6DA.6F.A7	141 474	A	A	15	32	106XB	L-KL-2685	76
FC063-6DD.6F.A7	141 475	D	A	15	33	106XB	L-KL-2686	83
FC063-6DQ.6F.A7	141 476	Q	A	28	61	106XB	L-KL-2687	90

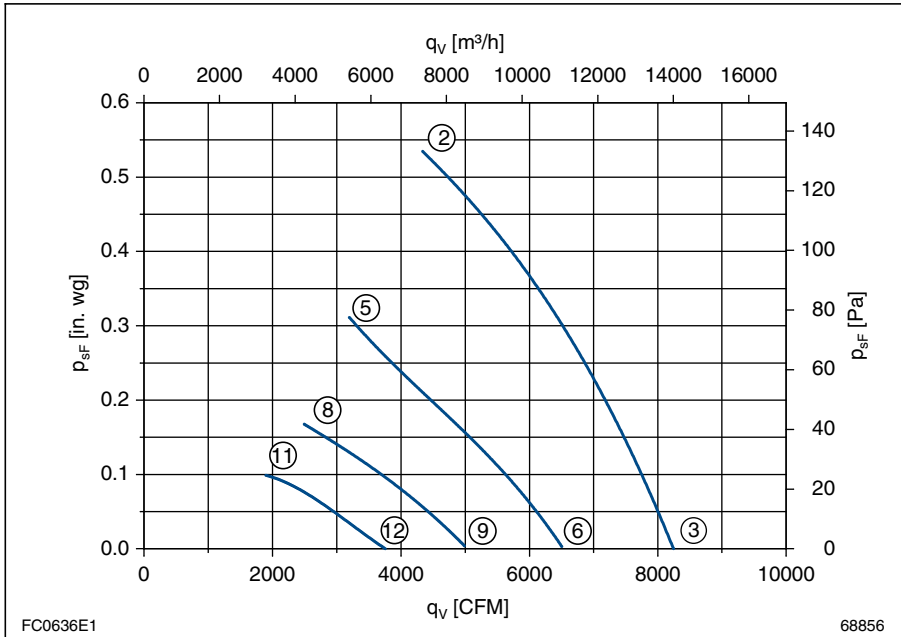
FC063-6E_.6F.A7

Performance data

1 ~ 115V 60Hz

P_1	0.96	kW
I	8.5	A
n	970	rpm
I_A	12.5	A
ΔI	0	%
C_{230V}	65	μF
t_R	55/131	$^{\circ}C/^{\circ}F$

Characteristic data

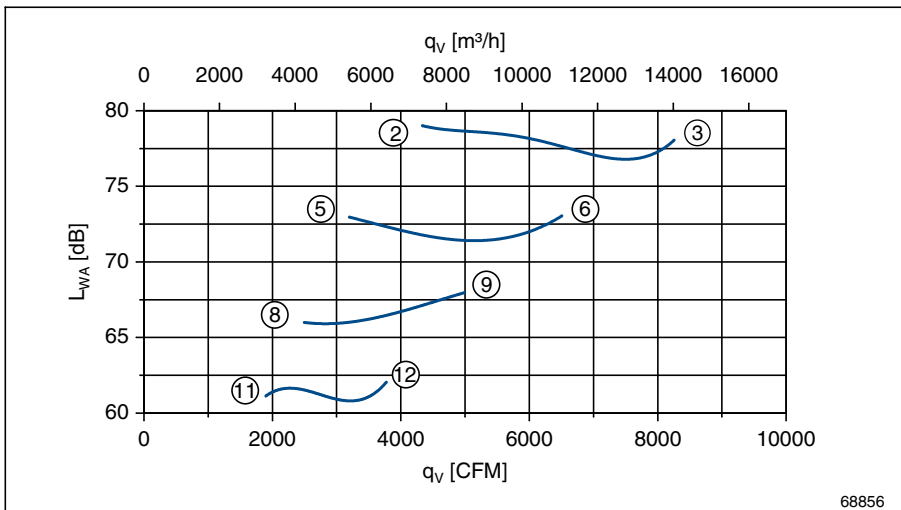


	U	I	P_1	n
	V	A	W	rpm
②	115	8.5	960	970
③		7.7	870	1020
⑤	85	8.2	670	780
⑥		7.7	630	810
⑧	68	7.1	450	550
⑨		7.0	440	620
⑪	55	6.0	300	420
⑫		5.8	290	460

$$p_{d2} = 4.6 \cdot 10^{-7} \cdot q_v^2$$

FC

measured in full bell mouth
without guard grille in installation
type A according to ISO 5801



Dimension sheet

Type	Article no.	Design	Airflow direction	Weight		Connection diagram	Dimension sheet	Page
				kg	lbs.			
FC063-6EA.6F.A7	141 602	A	A	15	32	118XB	L-KL-2688	77
FC063-6ED.6F.A7	141 603	D	A	15	33	118XB	L-KL-2689	84
FC063-6EQ.6F.A7	141 604	Q	A	28	61	118XB	L-KL-2690	92

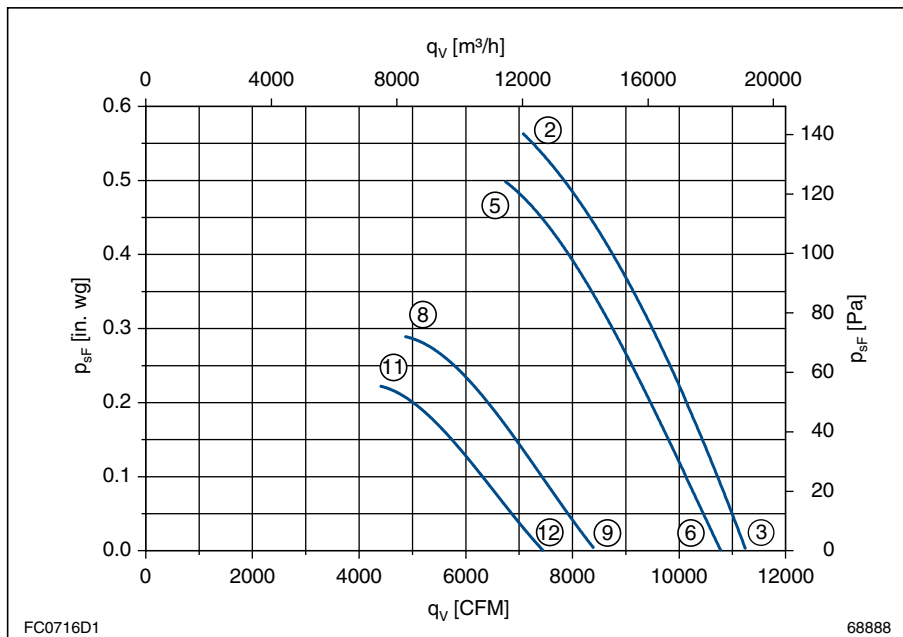
FC071-6D_.6K.A7

Performance data

3 ~ 460V 60Hz

P_1	1.35	kW
I	2.2	A
n	1010	rpm
I_A	8.5	A
ΔI	5	%
t_R	70/158	°C/°F

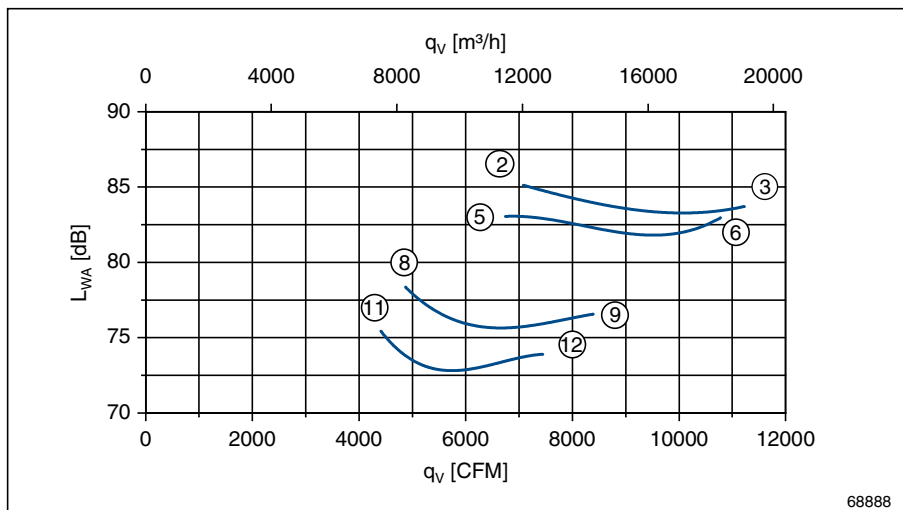
Characteristic data



	U	I	P ₁	n
	V	A	W	rpm
②	460	2.20	1350	1010
③		2.10	1200	1040
⑤	400	2.30	1220	960
⑥		2.10	1110	990
⑧	265	2.20	760	760
⑨		2.10	730	780
⑪	230	2.00	610	650
⑫		1.95	590	690

$$p_{d2} = 2.9 \cdot 10^{-7} \cdot q_v^2$$

measured in full bell mouth
without guard grille in installation
type A according to ISO 5801



Dimension sheet

Type	Article no.	Design	Airflow direction	Weight		Connection diagram	Dimension sheet	Page
				kg	lbs.			
FC071-6DA.6K.A7	141 482	A	A	19	41	106XB	L-KL-2685	76
FC071-6DQ.6K.A7	141 483	Q	A	34	75	106XB	L-KL-2692	91

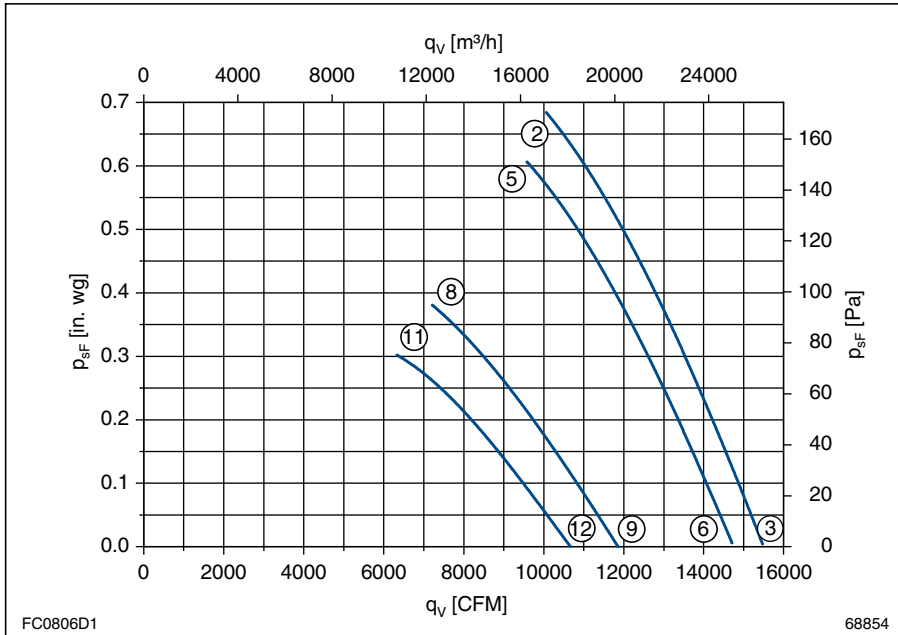
FC080-6D_.6N.A7

Performance data

3 ~ 460V 60Hz

P_1	2.1	kW
I	3.9	A
n	1020	rpm
I_A	12	A
ΔI	0	%
t_R	70/158	°C/°F

Characteristic data

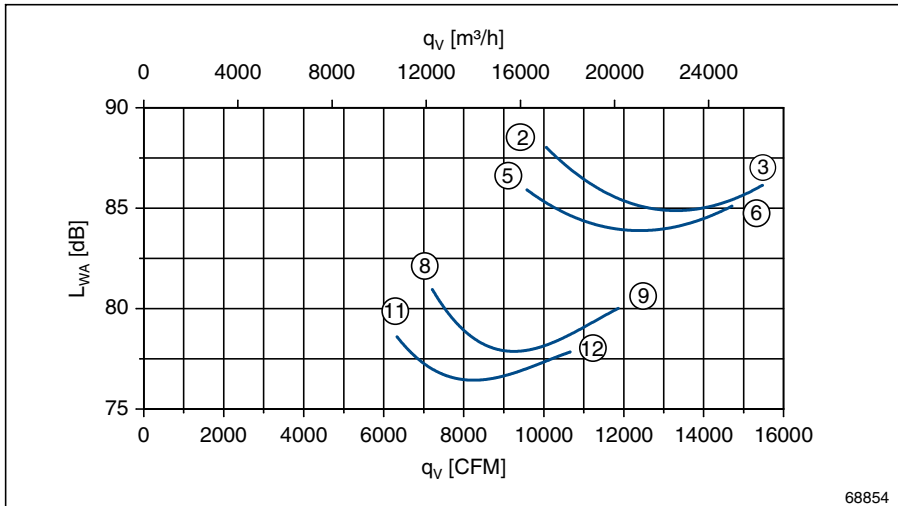


	U	I	P ₁	n
	V	A	W	rpm
②	460	3.9	2090	1020
③		3.5	1800	1060
⑤	400	3.8	1890	970
⑥		3.4	1660	1010
⑧	265	3.5	1200	760
⑨		3.2	1110	810
⑪	230	3.3	970	680
⑫		3.1	920	730

$$p_{d2} = 1.9 \cdot 10^{-7} \cdot q_v^2$$

FC

measured in full bell mouth
without guard grille in installation
type A according to ISO 5801



Dimension sheet

Type	Article no.	Design	Airflow direction	Weight		Connection diagram	Dimension sheet	Page
				kg	lbs.			
FC080-6DA.6N.A7	141 484	A	A	23	50	106XB	L-KL-2685	76
FC080-6DQ.6N.A7	141 485	Q	A	41	91	106XB	L-KL-2692	91

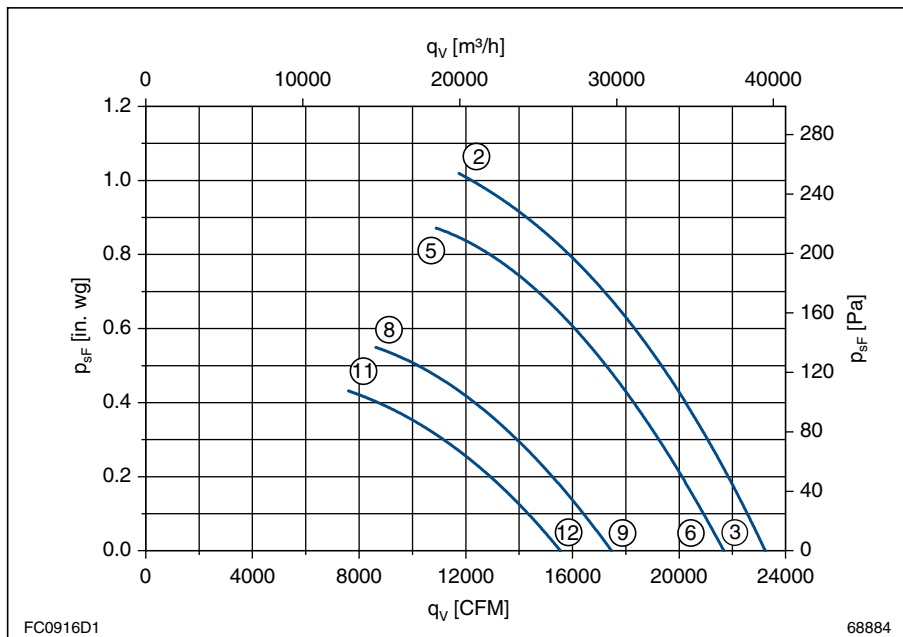
FC091-6D_.7Q.A7

Performance data

3 ~ 460V 60Hz

P_1	4.7	kW
I	7.2	A
n	900	rpm
I_A	20	A
ΔI	0	%
t_R	55/131	°C/°F

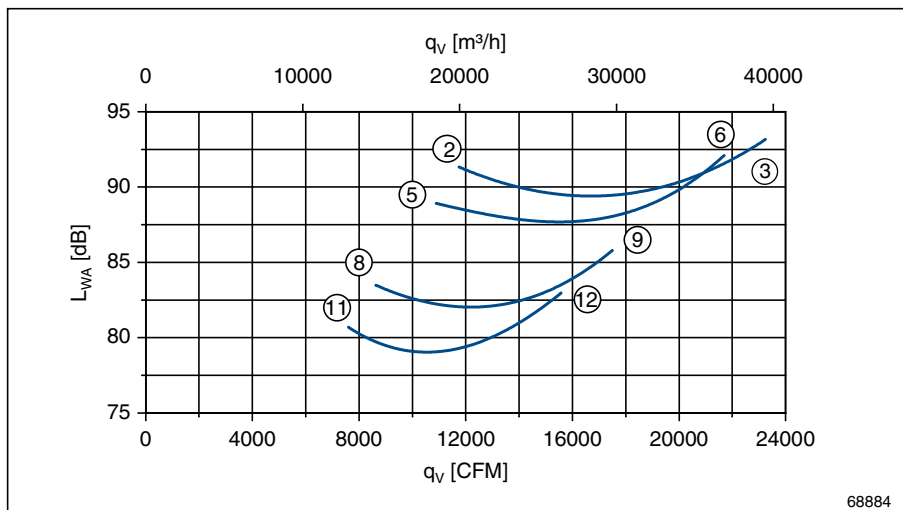
Characteristic data



	U	I	P ₁	n
	V	A	W	rpm
②	460	7.2	4740	900
③		6.6	4260	950
⑤	400	7.1	4130	840
⑥		6.4	3760	880
⑧	265	6.3	2470	660
⑨		5.9	2320	710
⑪	230	5.9	1990	590
⑫		5.6	1890	630

$$p_{d2} = 1.1 \cdot 10^{-7} \cdot q_v^2$$

measured in full bell mouth
without guard grille in installation
type A according to ISO 5801



Dimension sheet

Type	Article no.	Design	Airflow direction	Weight		Connection diagram	Dimension sheet	Page
				kg	lbs.			
FC091-6DA.7Q.A7	141 486	A	A	41	90	106XB	L-KL-2691	78
FC091-6DQ.7Q.A7	141 487	Q	A	69	152	106XB	L-KL-2692	91

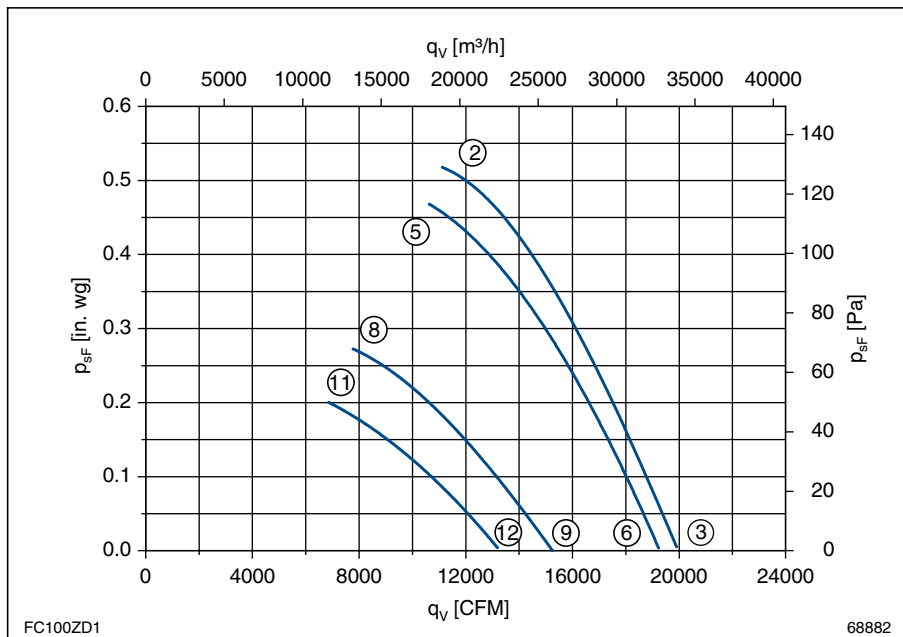
FC100-ZD_.7Q.A7

Performance data

3 ~ 460V 60Hz

P_1	2.1	kW
I	4.2	A
n	640	rpm
I_A	13	A
ΔI	0	%
t_R	65/149	°C/°F

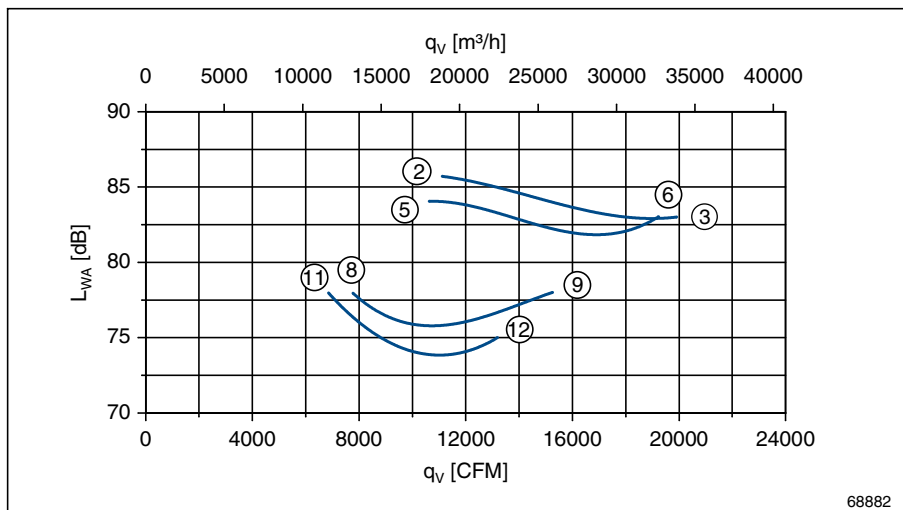
Characteristic data



	U	I	P ₁	n
	V	A	W	rpm
②	460	4.1	2050	640
③		3.7	1730	650
⑤	400	4.1	1890	610
⑥		3.6	1610	630
⑧	265	4.0	1240	460
⑨		3.7	1140	500
⑪	230	3.8	970	390
⑫		3.6	930	440

$$p_{d2} = 7.5 \cdot 10^{-8} \cdot q_v^2$$

FC



measured in full bell mouth
without guard grille in installation
type A according to ISO 5801

Dimension sheet

Type	Article no.	Design	Airflow direction	Weight		Connection diagram	Dimension sheet	Page
				kg	lbs.			
FC100-ZDA.7Q.A7	141 488	A	A	43	95	106XB	L-KL-2691	78
FC100-ZDQ.7Q.A7	141 489	Q	A	70	154	106XB	L-KL-2692	91

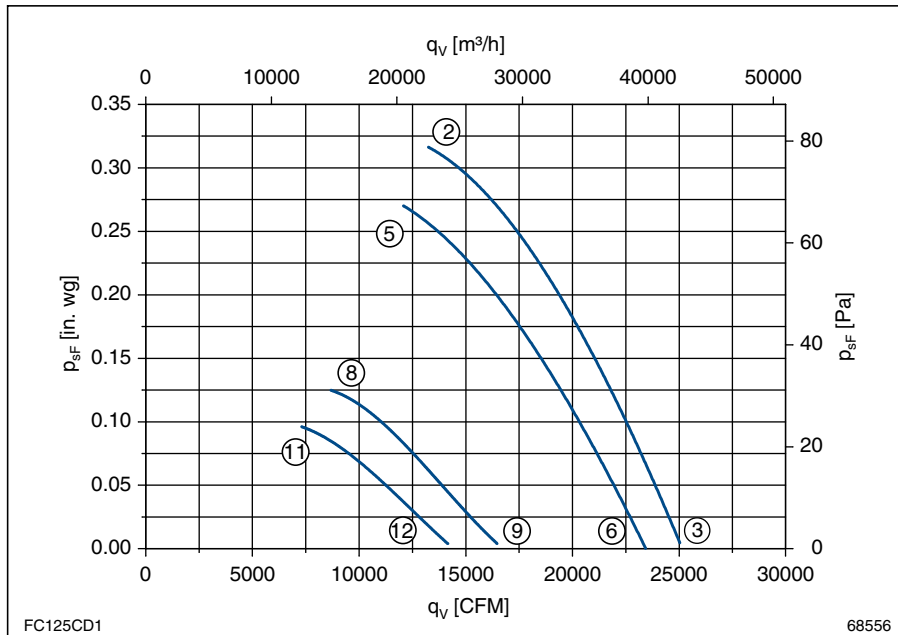
FC125-CD_.7Q.A7

Performance data

3 ~ 460V 60Hz

P_1	1.75	kW
I	3.4	A
n	470	rpm
I_A	7	A
ΔI	0	%
t_R	40/104	°C/°F

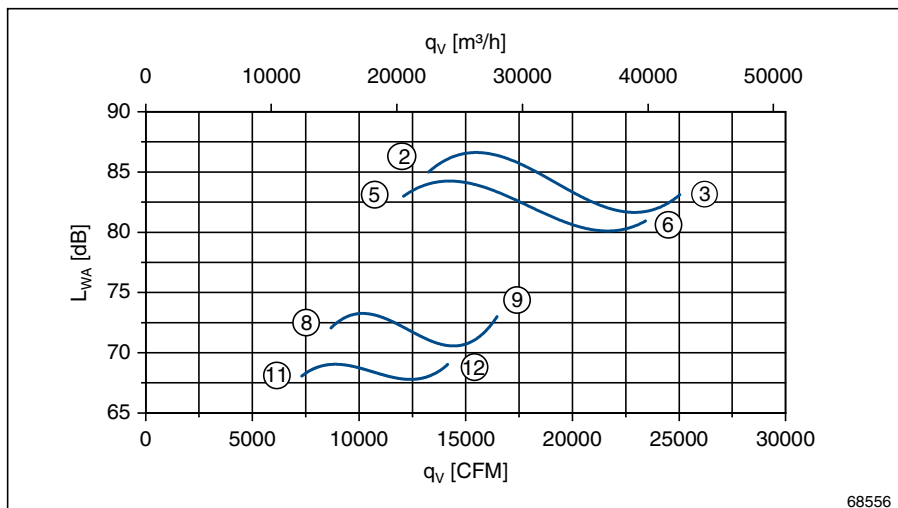
Characteristic data



	U	I	P ₁	n
	V	A	W	rpm
②	460	3.4	1740	470
③		3.0	1610	490
⑤	400	3.2	1510	430
⑥		3.0	1410	450
⑧	265	2.7	810	300
⑨		2.6	800	320
⑪	230	2.5	630	260
⑫		2.4	620	280

$$p_{d2} = 3.0 \cdot 10^{-8} \cdot q_v^2$$

measured in full bell mouth
without guard grille in installation
type A according to ISO 5801



Dimension sheet

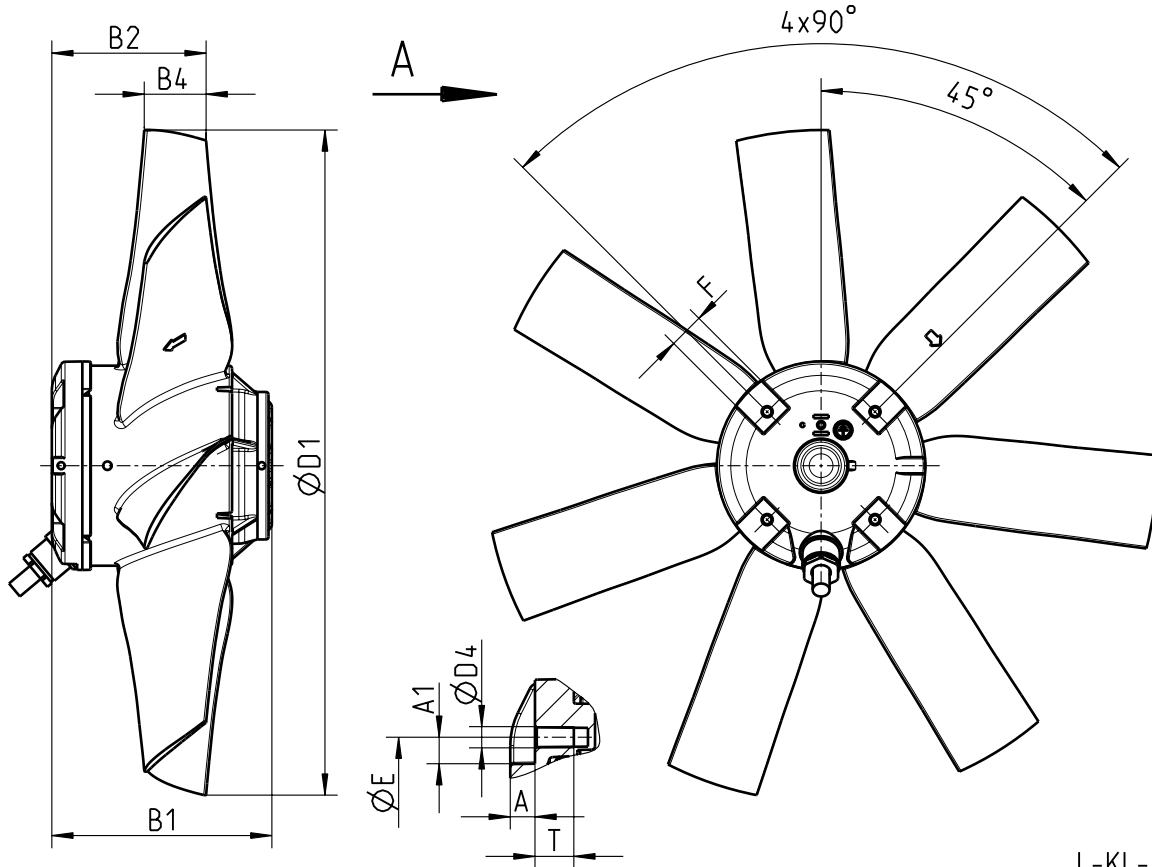
Type	Article no.	Design	Airflow direction	Weight		Connection diagram	Dimension sheet	Page
				kg	lbs.			
FC125-CDA.7Q.A7	141 490	A	A	45	98	106XB	L-KL-2691	78
FC125-CDL.7Q.A7*	141 491	L	A	89	195	106XB	L-KL-2712	85

* Without a guard grille, Guard grille available as accessories.

FC - A.2.A

Airflow direction A

Design A



L-KL-2675

FC

Type	Article no.	A		A1		B1		B2		B4		D1		D4	E		F		T	
		mm	inch	mm	inch	mm	inch	mm	inch	mm	inch	mm	inch		mm	inch	mm	inch	mm	inch
FC031-4DA.2A.A6	140 690	7	0.28	7.5	0.3	100.5	3.96	94	3.7	57	2.24	312	12.28	M6	90	3.54	21	0.83	11	0.43
FC031-4EA.2A.A6	141 423	7	0.28	7.5	0.3	100.5	3.96	94	3.7	57	2.24	312	12.28	M6	90	3.54	21	0.83	11	0.43
FC035-4DA.2C.A7	141 426	7	0.28	7.5	0.3	114	4.49	86	3.39	36	1.42	353	13.9	M6	90	3.54	21	0.83	11	0.43
FC035-4EA.2C.A7	141 429	7	0.28	7.5	0.3	114	4.49	86	3.39	36	1.42	353	13.9	M6	90	3.54	21	0.83	11	0.43
FC040-4DA.2F.A7	141 432	7	0.28	7.5	0.3	131	5.16	92	3.62	36	1.42	396	15.59	M6	90	3.54	21	0.83	11	0.43
FC040-4EA.2F.A7	141 435	7	0.28	7.5	0.3	131	5.16	92	3.62	36	1.42	396	15.59	M6	90	3.54	21	0.83	11	0.43

L-KL-2675

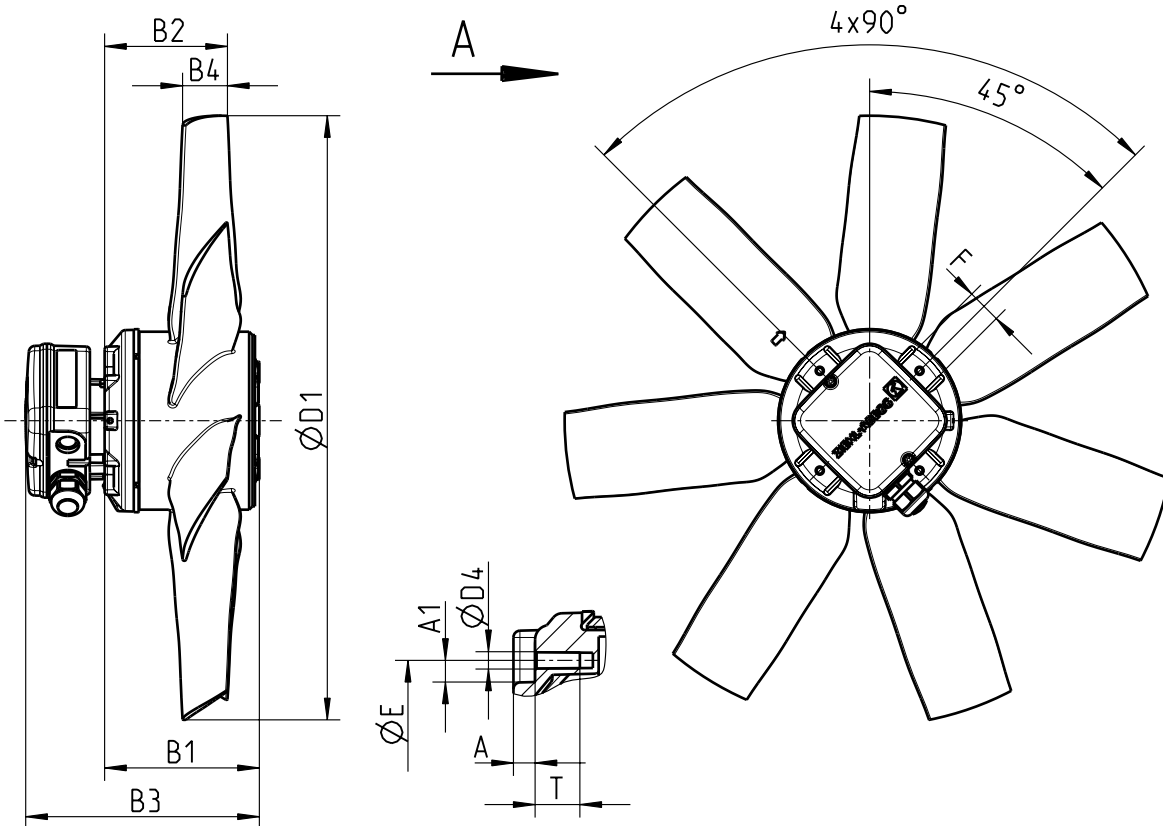
Electrical connection

Connection cable

FC ___ - DA.4 .A7

Airflow direction A

Design A



FC

L-KL-2679

Type	Article no.	A		A1		B1		B2		B3		B4		D1		D4	E		F		T	
		mm	inch	mm	inch	mm	inch	mm	inch	mm	inch	mm	inch	mm	inch		mm	inch	mm	inch	mm	inch
FC045-4DA.4F.A7	141 438	7.5	0.3	7.5	0.3	141	5.55	99	3.9	205	8.07	33	1.3	447	17.6	M6	115	4.53	28	1.1	15.5	0.61
FC045-6DA.4C.A7	141 444	7.5	0.3	7.5	0.3	126	4.96	99	3.9	190	7.48	33	1.3	447	17.6	M6	115	4.53	28	1.1	15.5	0.61
FC050-4DA.4I.A7	141 450	7.5	0.3	7.5	0.3	161	6.34	100	3.94	225	8.86	37	1.46	497	19.57	M6	115	4.53	28	1.1	15.5	0.61
FC050-6DA.4C.A7	141 456	7.5	0.3	7.5	0.3	126	4.96	100	3.94	190	7.48	37	1.46	497	19.57	M6	115	4.53	28	1.1	15.5	0.61
FC056-6DA.4F.A7	141 465	7.5	0.3	7.5	0.3	141	5.55	95	3.74	205	8.07	46	1.81	553	21.77	M6	115	4.53	28	1.1	15.5	0.61

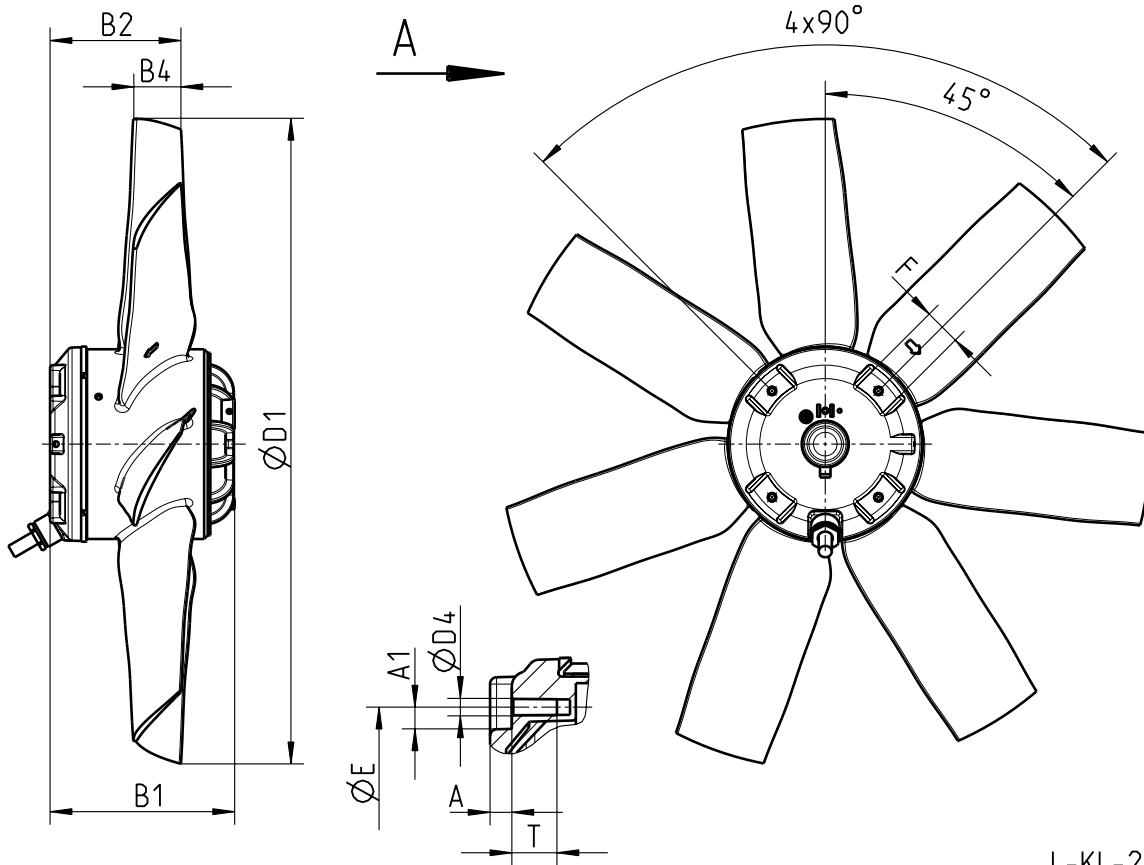
L-KL-2679

Electrical connection
Terminal box K62

FC_ _ _ - EA.4 .A7

Airflow direction A

Design A



L-KL-2682

FC

Type	Article no.	A		A1		B1		B2		B4		D1		D4	E		F		T	
		mm	inch	mm	inch	mm	inch	mm	inch	mm	inch	mm	inch		mm	inch	mm	inch	mm	inch
FC045-4EA.4F.A7	141 596	7.5	0.3	7.5	0.3	141	5.55	99	3.9	33	1.3	447	17.6	M6	115	4.53	28	1.1	15.5	0.61
FC045-6EA.4C.A7	141 599	7.5	0.3	7.5	0.3	126	4.96	99	3.9	33	1.3	447	17.6	M6	115	4.53	28	1.1	15.5	0.61
FC050-4EA.4I.A7	141 453	7.5	0.3	7.5	0.3	161	6.34	100	3.94	37	1.46	497	19.57	M6	115	4.53	28	1.1	15.5	0.61
FC050-6EA.4F.A7	141 459	7.5	0.3	7.5	0.3	141	5.55	100	3.94	37	1.46	497	19.57	M6	115	4.53	28	1.1	15.5	0.61
FC056-6EA.4I.A7	141 605	7.5	0.3	7.5	0.3	161	6.34	95	3.74	46	1.81	553	21.77	M6	115	4.53	28	1.1	15.5	0.61

L-KL-2682

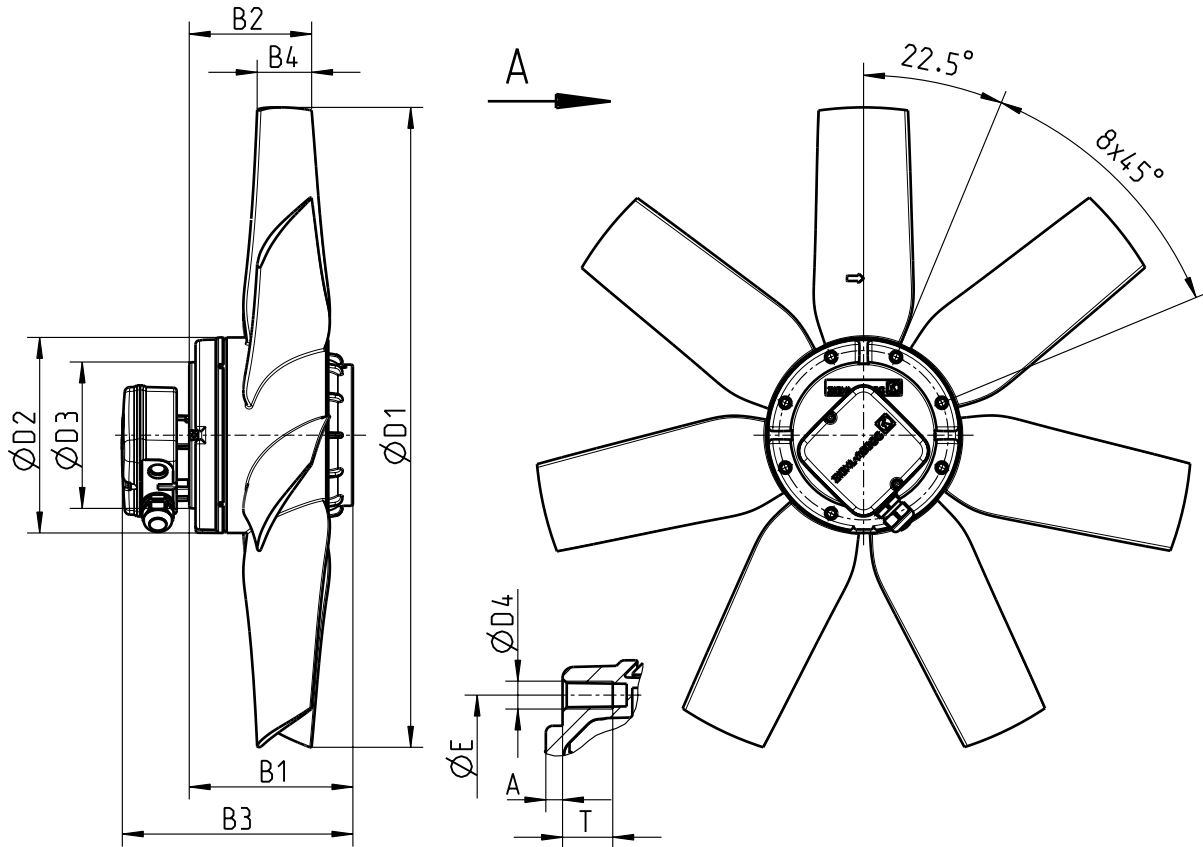
Electrical connection

Connection cable

FC _ _ _ - DA.6 .A7

Airflow direction A

Design A



L-KL-2685

Type	Article no.	A		B1		B2		B3		B4		D1		D2		D3		D4	E		T	
		mm	inch	mm	inch	mm	inch	mm	inch	mm	inch	mm	inch	mm	inch	mm	inch		mm	inch	mm	inch
FC056-4DA.6K.A7	141 462	6	0.24	182	7.17	116	4.57	246	9.69	52	2.05	553	21.77	187	7.36	140	5.51	M10	162	6.38	18	0.71
FC063-4DA.6N.A7	141 471	6	0.24	182	7.17	116	4.57	271	10.67	52	2.05	627	24.69	187	7.36	140	5.51	M10	162	6.38	18	0.71
FC063-6DA.6F.A7	141 474	6	0.24	157	6.18	116	4.57	221	8.7	52	2.05	627	24.69	187	7.36	140	5.51	M10	162	6.38	18	0.71
FC071-6DA.6K.A7	141 482	6	0.24	182	7.17	114	4.49	246	9.69	47	1.85	703	27.68	187	7.36	140	5.51	M10	162	6.38	18	0.71
FC080-6DA.6N.A7	141 484	6	0.24	207	8.15	113	4.45	271	10.67	47	1.85	788	31.02	187	7.36	140	5.51	M10	162	6.38	18	0.71

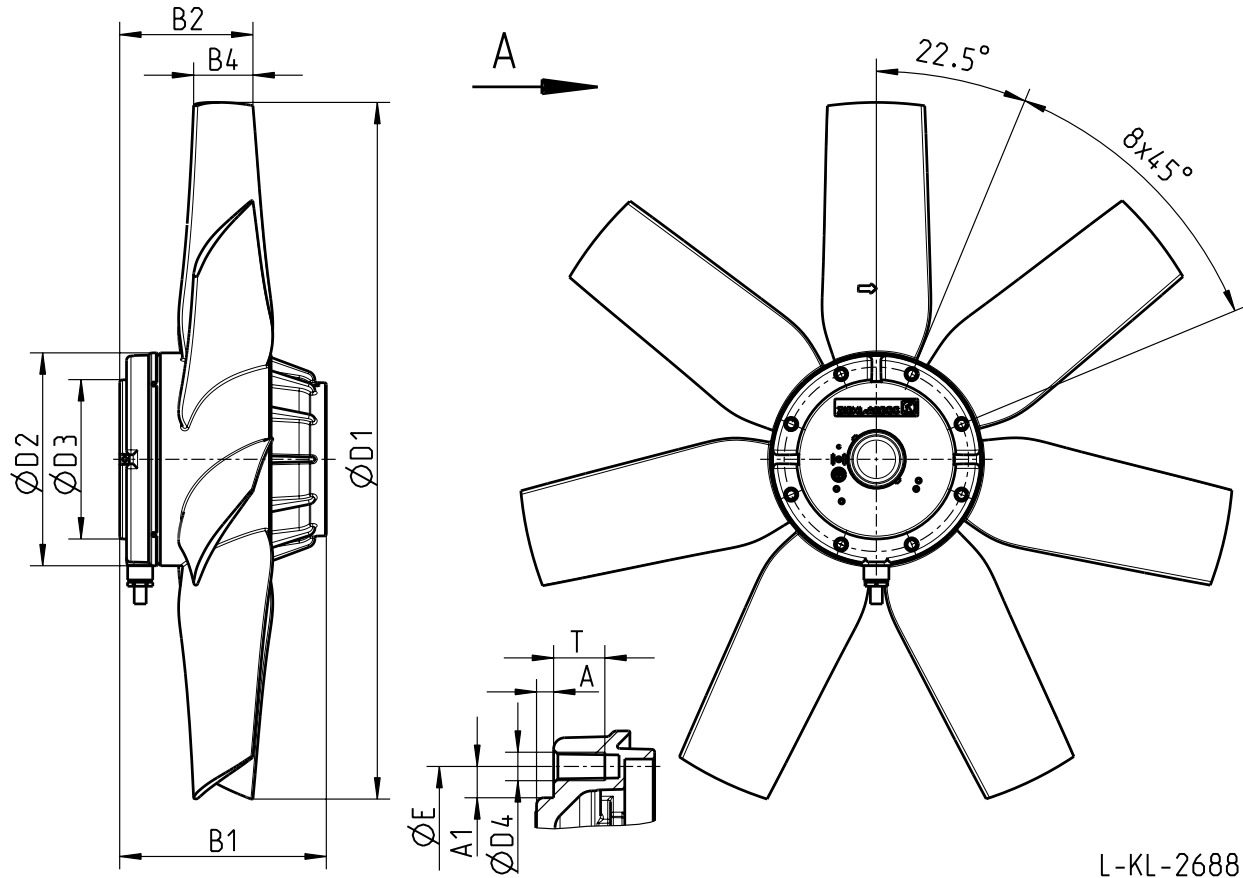
L-KL-2685

Electrical connection
Terminal box K62

FC _ _ _ - EA.6 .A7

Airflow direction A

Design A



L-KL-2688

FC

Type	Article no.	A		B1		B2		B4		D1		D2		D3		D4	E		T	
		mm	inch	mm	inch	mm	inch	mm	inch	mm	inch	mm	inch	mm	inch		mm	inch	mm	inch
FC063-6EA.6F.A7	141 602	6	0.24	157	6.18	116	4.57	52	2.05	627	24.69	187	7.36	140	5.51	M10	162	6.38	18	0.71

L-KL-2688

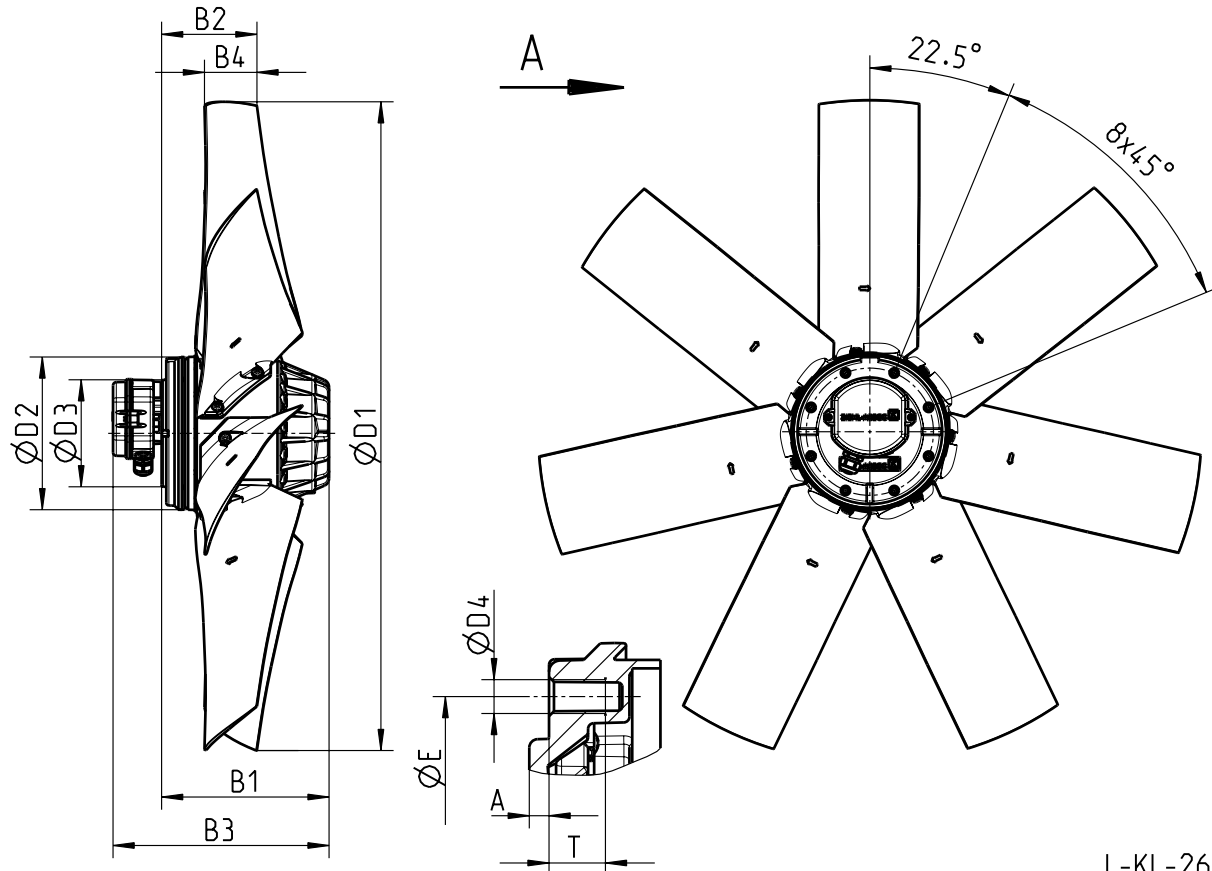
Electrical connection

Connection cable

FC__ - DA.7.A7

Airflow direction A

Design A



L-KL-2691

Type	Article no.	A		B1		B2		B3		B4		D1		D2		D3		D4	E		T	
		mm	inch	mm	inch	mm	inch	mm	inch	mm	inch	mm	inch	mm	inch	mm	inch		mm	inch	mm	inch
FC091-6DA.7Q.A7	141 486	7	0.28	250	9.84	147	5.79	322.5	12.7	81	3.19	905	35.63	228	8.98	160	6.3	M12	190	7.48	20	0.79
FC100-ZDA.7Q.A7	141 488	7	0.28	250	9.84	142	5.59	322.5	12.7	79	3.11	990	38.98	228	8.98	160	6.3	M12	190	7.48	20	0.79
FC125-CDA.7Q.A7	141 490	7	0.28	250	9.84	120	4.72	322.5	12.7	54	2.13	1248	49.13	228	8.98	160	6.3	M12	190	7.48	20	0.79

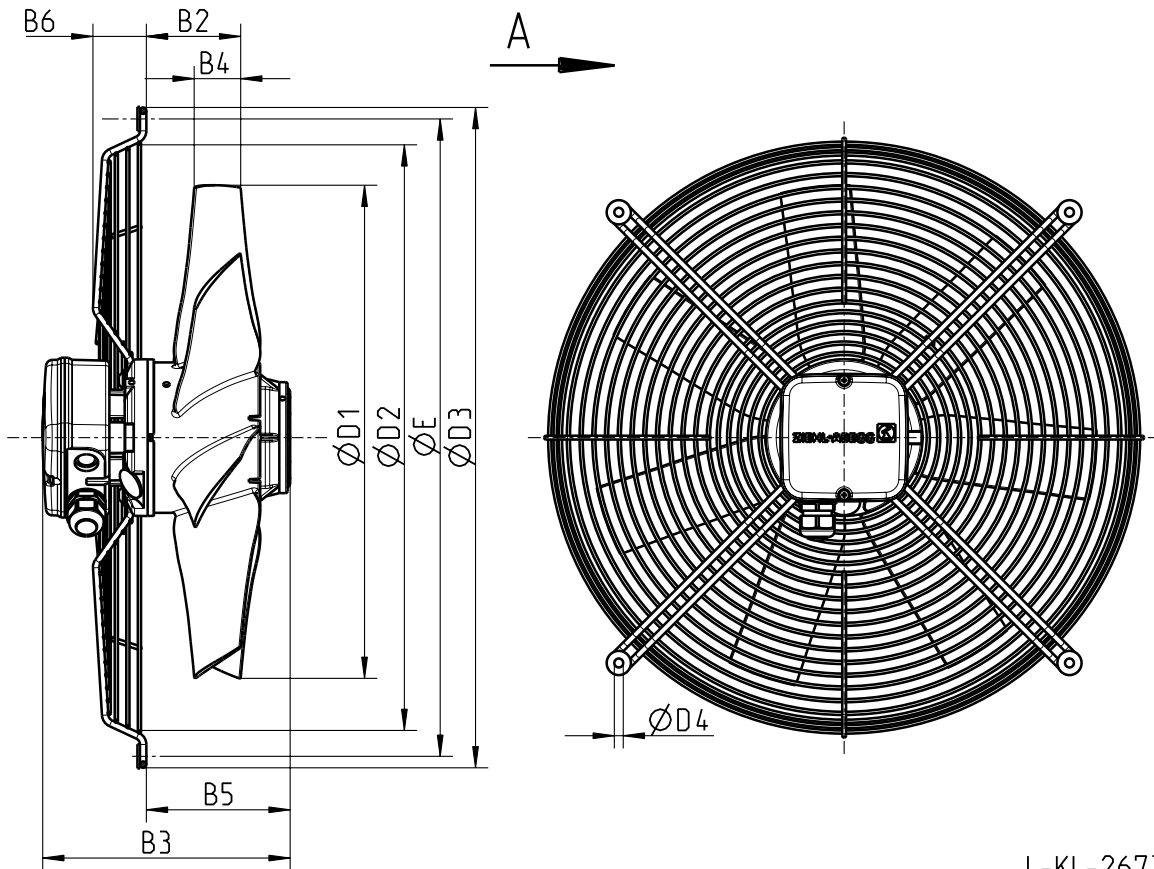
L-KL-2691

Electrical connection
Terminal box K07

FC _ _ _ - DD.2 .A _

Airflow direction A

Design D



L-KL-2673

FC

Type	Article no.	B2		B3		B4		B5		B6		D1		D2		D3		D4		E	
		mm	inch	mm	inch	mm	inch	mm	inch	mm	inch	mm	inch	mm	inch	mm	inch	mm	inch	mm	inch
FC031-4DD.2A.A6	140 691	83	3.27	164.5	6.48	57	2.24	90	3.54	11	0.43	312	12.28	328	12.91	393	15.47	7	0.28	375	14.76
FC035-4DD.2C.A7	141 427	74.5	2.93	177.5	6.99	36	1.42	101.5	4	37.5	1.48	353	13.9	382	15.04	440	17.32	7	0.28	422	16.61
FC040-4DD.2F.A7	141 433	75	2.95	194.5	7.66	36	1.42	113.5	4.47	42	1.65	396	15.59	458	18.03	518	20.39	7	0.28	500	19.69

L-KL-2673

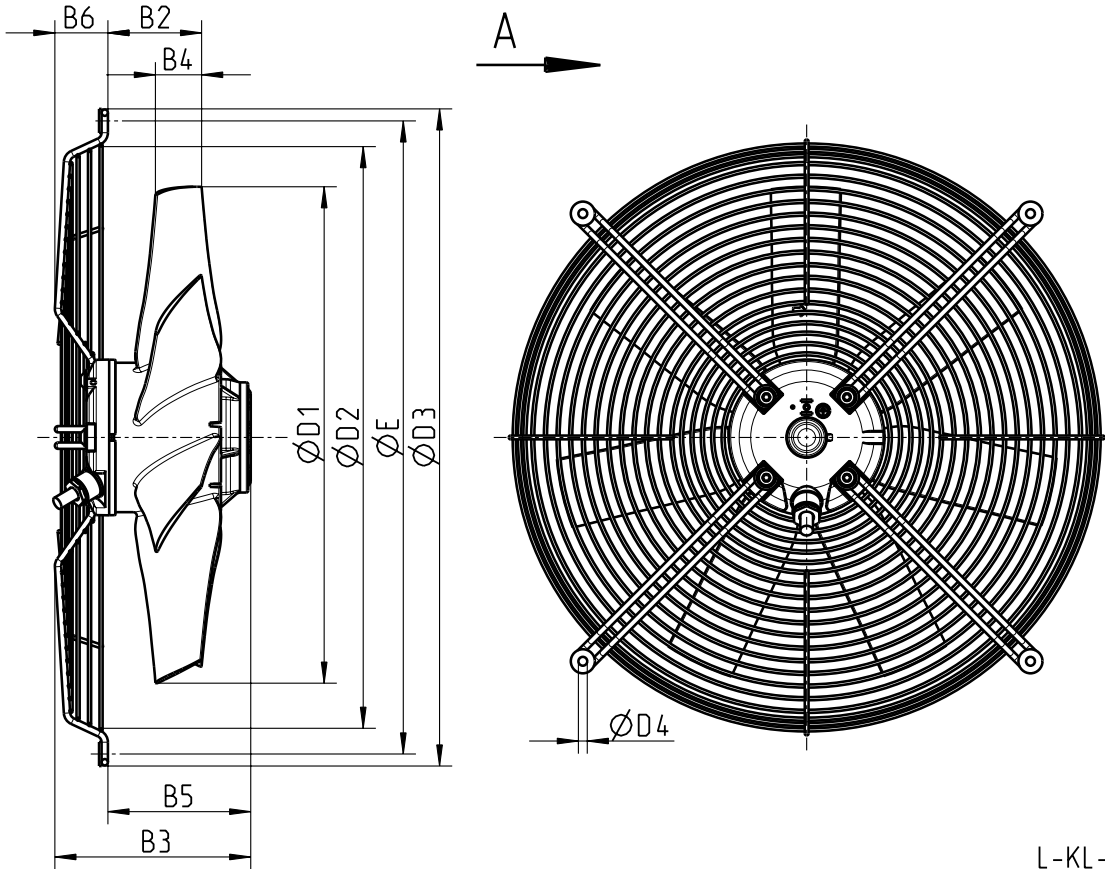
Electrical connection

Terminal box K05

FC _ _ _ - ED.2 .A_

Airflow direction A

Design D



L-KL-2676

Type	Article no.	B2		B3		B4		B5		B6		D1		D2		D3		D4		E	
		mm	inch	mm	inch	mm	inch	mm	inch	mm	inch	mm	inch	mm	inch	mm	inch	mm	inch	mm	inch
FC031-4ED.2A.A6	141 424	83	3.27	100.5	3.96	57	2.24	90	3.54	11	0.43	312	12.28	328	12.91	393	15.47	7	0.28	375	14.76
FC035-4ED.2C.A7	141 430	74.5	2.93	139	5.47	36	1.42	101.5	4	37.5	1.48	353	13.9	382	15.04	440	17.32	7	0.28	422	16.61
FC040-4ED.2F.A7	141 436	75	2.95	155.5	6.12	36	1.42	113.5	4.47	42	1.65	396	15.59	458	18.03	518	20.39	7	0.28	500	19.69

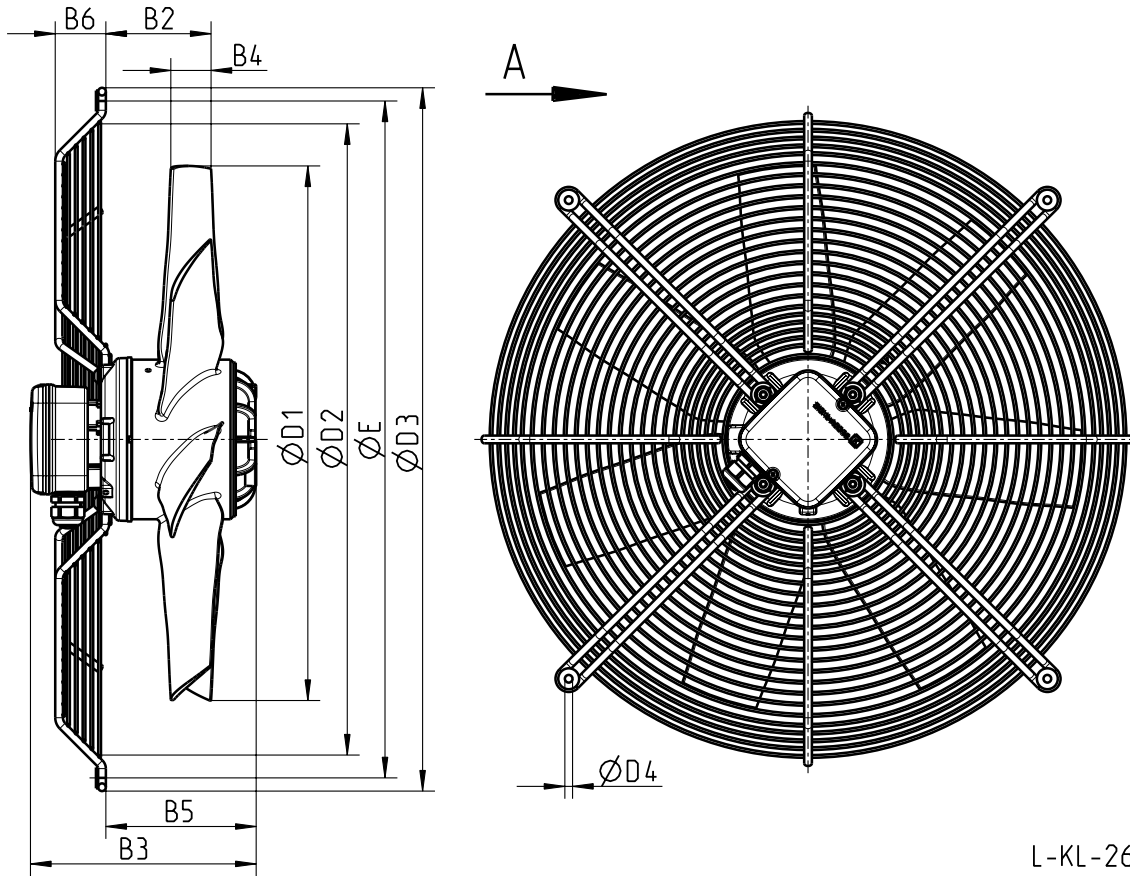
L-KL-2676

Electrical connection
Connection cable

FC_ _ _ - DD.4 .A7

Airflow direction A

Design D



L-KL-2680

FC

Type	Article no.	B2		B3		B4		B5		B6		D1		D2		D3		D4		E	
		mm	inch	mm	inch	mm	inch	mm	inch	mm	inch	mm	inch	mm	inch	mm	inch	mm	inch	mm	inch
FC045-4DD.4F.A7	141 439	95	3.74	205	8.07	33	1.3	137	5.39	33	1.3	447	17.6	520	20.47	582	22.91	7	0.28	560	22.05
FC045-6DD.4C.A7	141 445	95	3.74	190	7.48	33	1.3	122	4.8	33	1.3	447	17.6	520	20.47	582	22.91	7	0.28	560	22.05
FC050-4DD.4I.A7	141 451	96	3.78	225	8.86	37	1.46	158.5	6.24	46	1.81	497	19.57	579	22.8	639	25.16	7	0.28	615	24.21
FC050-6DD.4C.A7	141 457	96	3.78	190	7.48	37	1.46	123.5	4.86	46	1.81	497	19.57	579	22.8	639	25.16	7	0.28	615	24.21
FC056-6DD.4F.A7	141 466	92	3.62	205	8.07	46	1.81	138.5	5.45	44	1.73	553	21.77	621	24.45	682	26.85	7	0.28	658	25.91

L-KL-2680

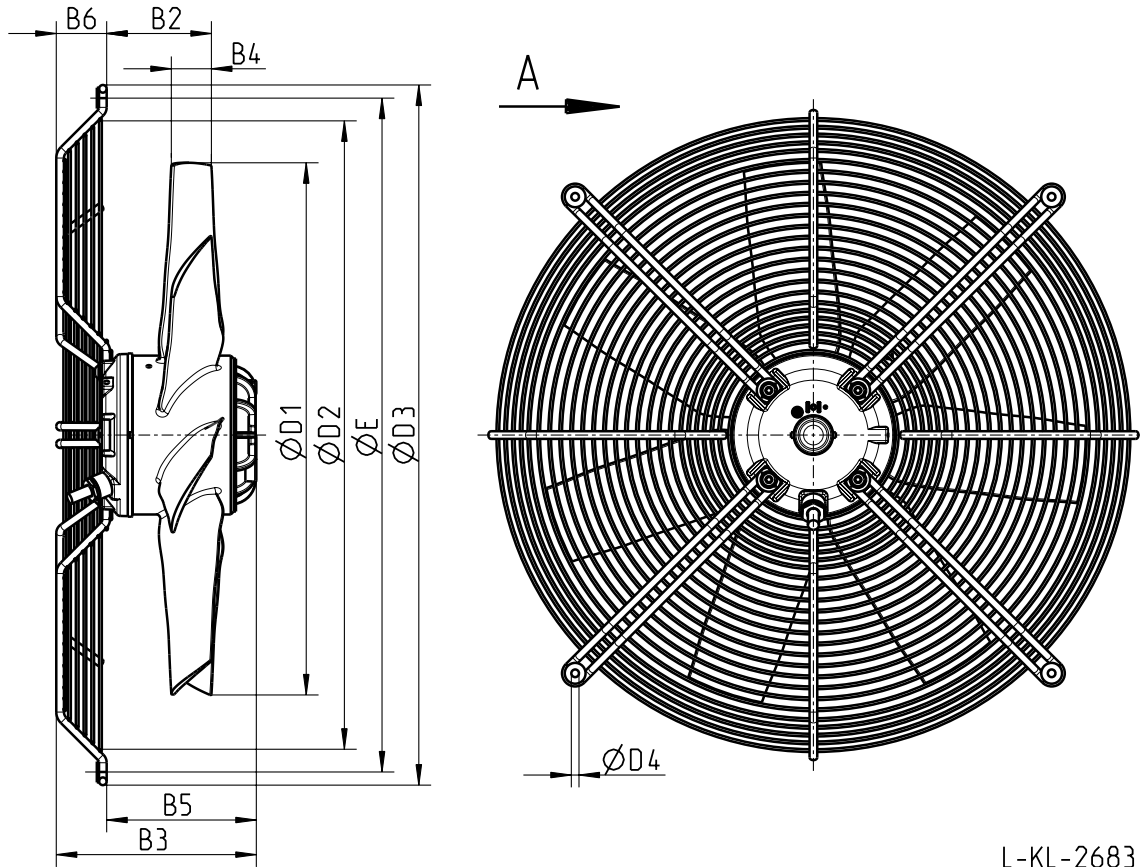
Electrical connection

Terminal box K62

FC _ _ _ - ED.4 .A7

Airflow direction A

Design D



L-KL-2683

FC

Type	Article no.	B2		B3		B4		B5		B6		D1		D2		D3		D4		E	
		mm	inch	mm	inch	mm	inch	mm	inch	mm	inch	mm	inch	mm	inch	mm	inch	mm	inch	mm	inch
FC045-4ED.4F.A7	141 597	95	3.74	141	5.55	33	1.3	126.5	4.98	14	0.55	447	17.6	520	20.47	582	22.91	7	0.28	560	22.05
FC045-6ED.4C.A7	141 600	95	3.74	126	4.96	33	1.3	111.5	4.39	14	0.55	447	17.6	520	20.47	582	22.91	7	0.28	560	22.05
FC050-4ED.4I.A7	141 454	96	3.78	182.5	7.19	37	1.46	136.5	5.37	46	1.81	497	19.57	579	22.8	639	25.16	7	0.28	615	24.21
FC050-6ED.4F.A7	141 460	96	3.78	202.5	7.97	37	1.46	156.5	6.16	46	1.81	497	19.57	579	22.8	639	25.16	7	0.28	615	24.21
FC056-6ED.4I.A7	141 606	92	3.62	204.5	8.05	46	1.81	158.5	6.24	44	1.73	553	21.77	621	24.45	682	26.85	7	0.28	658	25.91

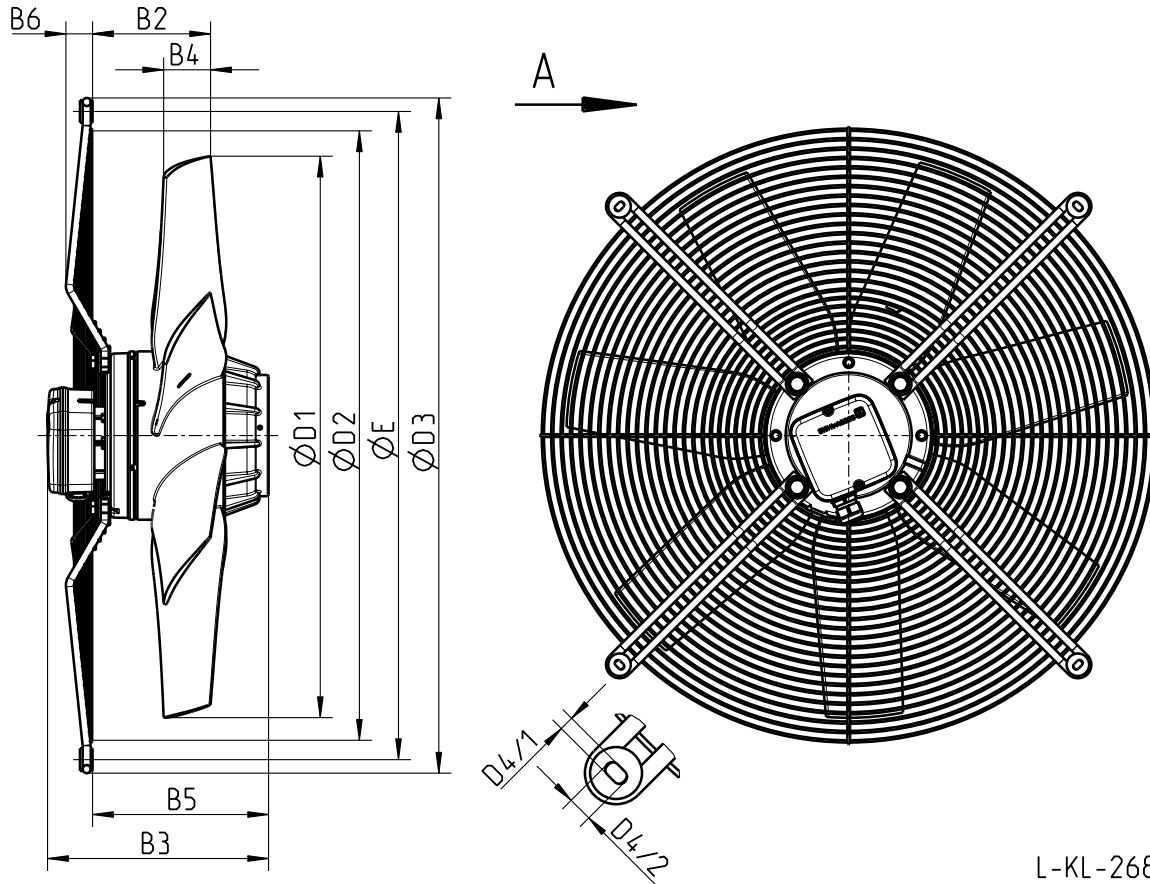
L-KL-2683

Electrical connection
Connection cable

FC_ _ _ - DD.6 .A7

Airflow direction A

Design D



L-KL-2686

FC

Type	Article no.	B2		B3		B4		B5		B6		D1		D2		D3		D4/1		D4/2		E	
		mm	inch	mm	inch	mm	inch	mm	inch	mm	inch	mm	inch	mm	inch	mm	inch	mm	inch	mm	inch	mm	inch
FC056-4DD.6K.A7	141 463	122	4.8	246	9.69	57	2.24	184	7.24	37	1.46	553	21.77	595	23.43	686	27.01	7	0.28	12	0.47	658	25.91
FC063-4DD.6N.A7	141 472	133	5.24	271	10.67	59	2.32	221	8.7	30	1.18	627	24.69	679	26.73	750	29.53	7	0.28	12	0.47	720	28.35
FC063-6DD.6F.A7	141 475	130	5.12	221	8.7	52	2.05	171	6.73	30	1.18	627	24.69	679	26.73	750	29.53	7	0.28	12	0.47	720	28.35

L-KL-2686

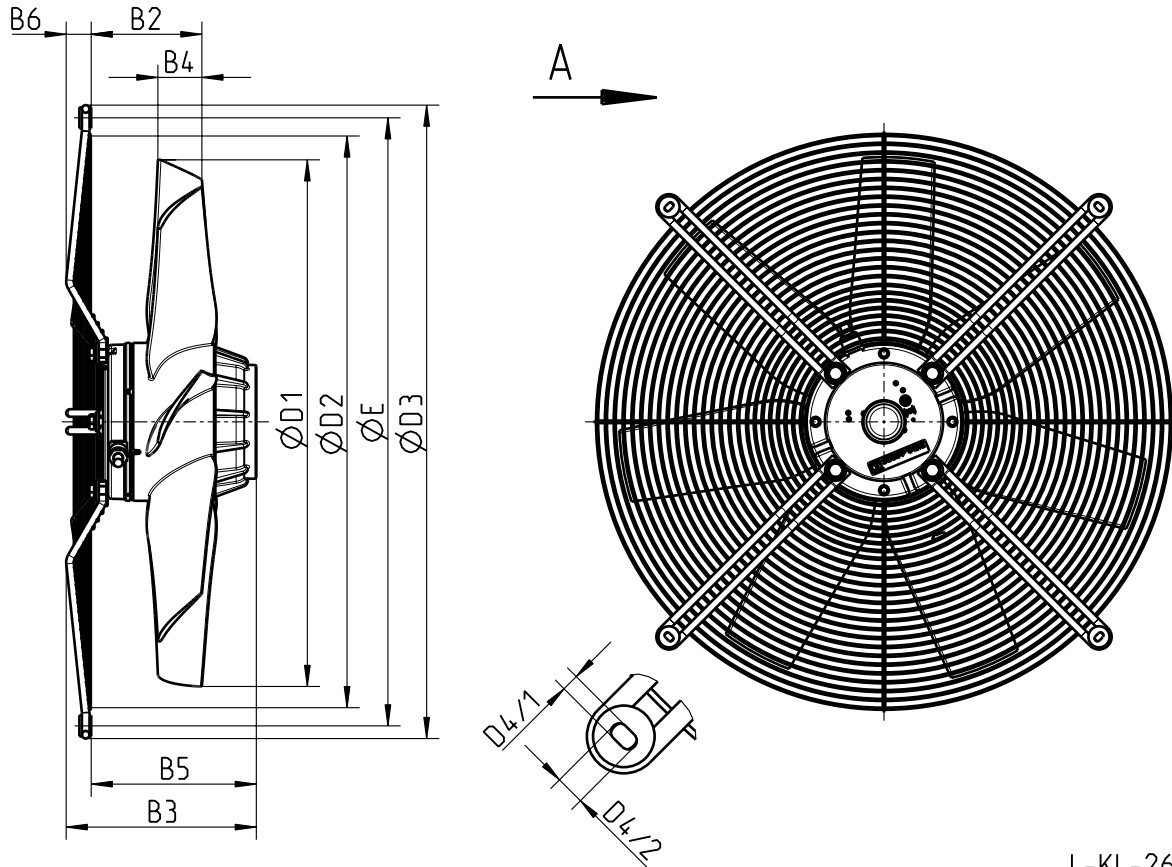
Electrical connection

Terminal box K62

FC_ _ _ - ED.6 .A7

Airflow direction A

Design D



L-KL-2689

Type	Article no.	B2		B3		B4		B5		B6		D1		D2		D3		D4/1		D4/2		E	
		mm	inch	mm	inch	mm	inch	mm	inch	mm	inch	mm	inch	mm	inch	mm	inch	mm	inch	mm	inch	mm	inch
FC063-6ED.6F.A7	141 603	130	5.12	200	7.87	52	2.05	170.5	6.71	29.5	1.16	627	24.69	679	26.73	750	29.53	7	0.28	12	0.47	720	28.35

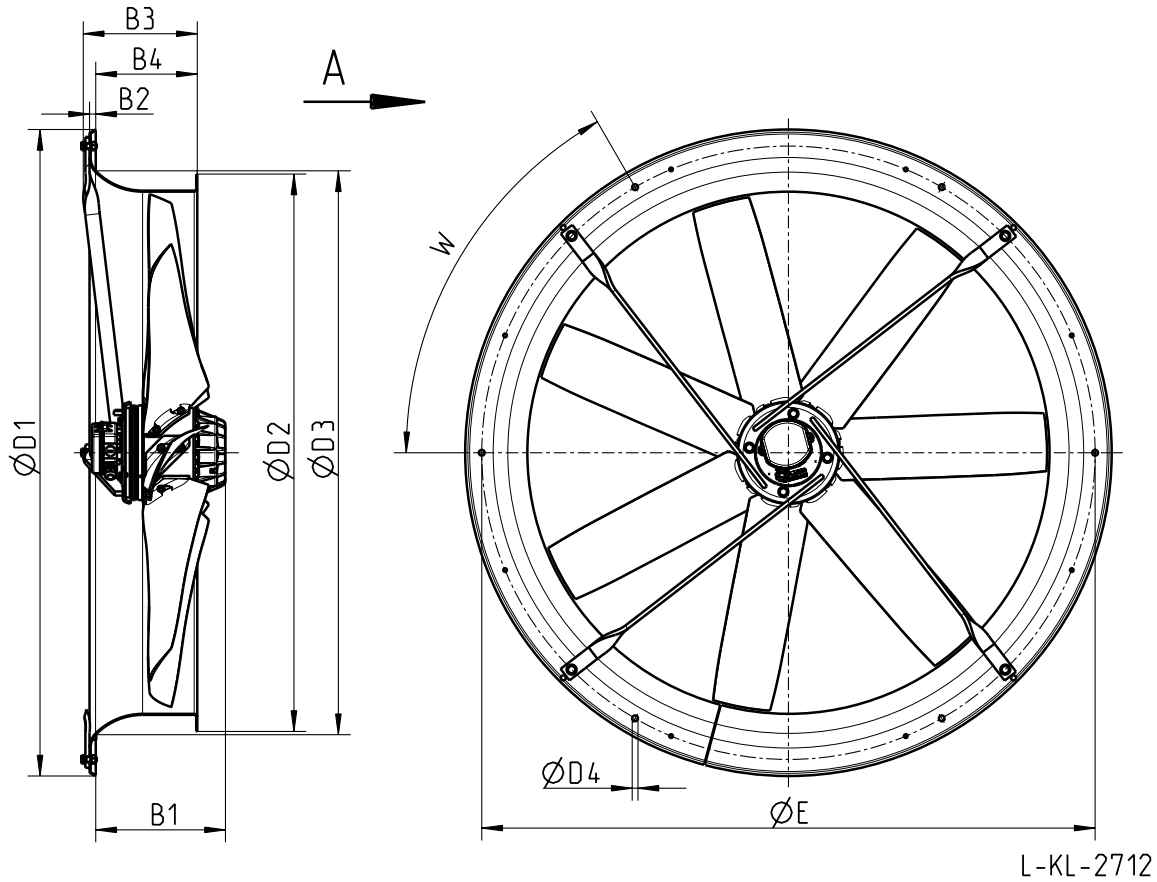
L-KL-2689

Electrical connection
Connection cable

FC_ _ _ - DL.7.A7

Airflow direction A

Design L



FC

L-KL-2712

Type	Article no.	B1		B2		B3		B4		D1		D2		D3		D4		E		W
		mm	inch	mm	inch	mm	inch	mm	inch	mm	inch	mm	inch	mm	inch	mm	inch	mm	inch	
FC125-CDL.7Q.A7	141 491	313	12.32	15	0.59	344	13.54	245	9.65	1560	61.42	1345	52.95	1361	53.58	14	0.55	1480	58.27	6x60

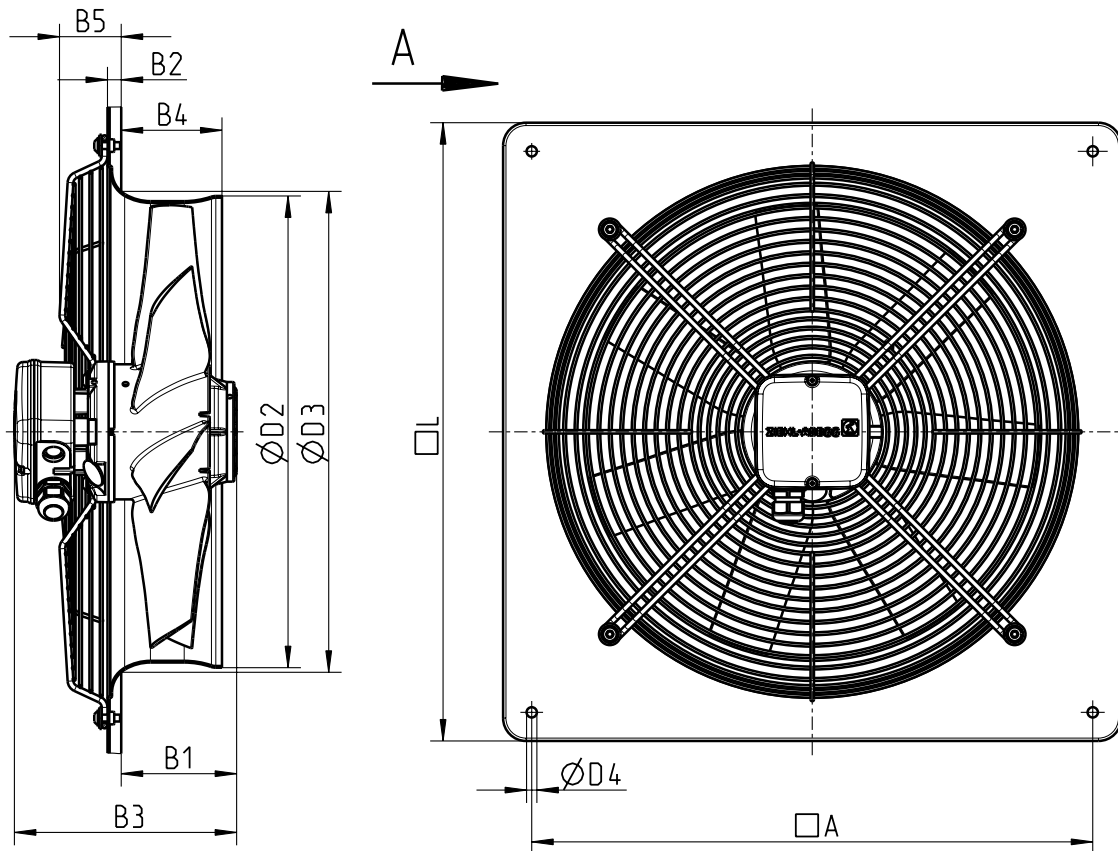
L-KL-2712

Electrical connection
Terminal box K07

FC _ _ _ - DQ.2 .A _

Airflow direction A

Design Q



L-KL-2674

Type	Article no.	A		B1		B2		B3		B4		B5		D2		D4		D3		L	
		mm	inch	mm	inch	mm	inch	mm	inch	mm	inch	mm	inch	mm	inch	mm	inch	mm	inch	mm	inch
FC031-4DQ.2A.A6	140 692	380	14.96	78.5	3.09	11	0.43	164.5	6.48	69	2.72	22	0.87	320	12.6	9	0.35	329	12.95	430	16.93
FC035-4DQ.2C.A7	141 428	435	17.13	89.5	3.52	12	0.47	177.5	6.99	75	2.95	49.5	1.95	367	14.45	9	0.35	372	14.65	485	19.09
FC040-4DQ.2F.A7	141 434	490	19.29	101	3.98	12	0.47	194.5	7.66	88	3.46	54	2.13	420	16.54	9	0.35	412	16.22	540	21.26

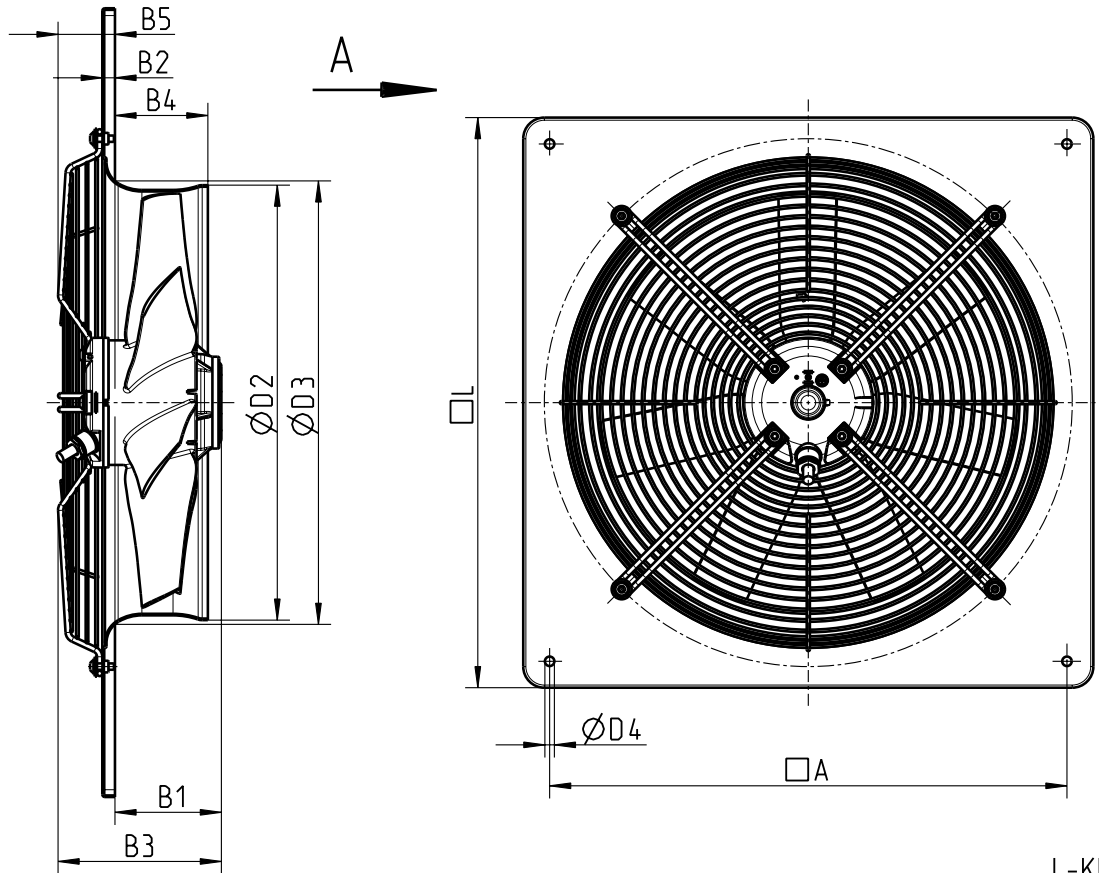
L-KL-2674

Electrical connection
Terminal box K05

FC _ _ _ - EQ.2 .A _

Airflow direction A

Design Q



L-KL-2677

FC

Type	Article no.	A		B1		B2		B3		B4		B5		D2		D4		D3		L	
		mm	inch	mm	inch	mm	inch	mm	inch	mm	inch	mm	inch	mm	inch	mm	inch	mm	inch	mm	inch
FC031-4EQ.2A.A6	141 425	380	14.96	78.5	3.09	11	0.43	100.5	3.96	69	2.72	22	0.87	320	12.6	9	0.35	329	12.95	430	16.93
FC035-4EQ.2C.A7	141 431	435	17.13	89.5	3.52	12	0.47	139	5.47	75	2.95	49.5	1.95	367	14.45	9	0.35	372	14.65	485	19.09
FC040-4EQ.2F.A7	141 437	490	19.29	101	3.98	12	0.47	155	6.1	88	3.46	54	2.13	420	16.54	9	0.35	412	16.22	540	21.26

L-KL-2677

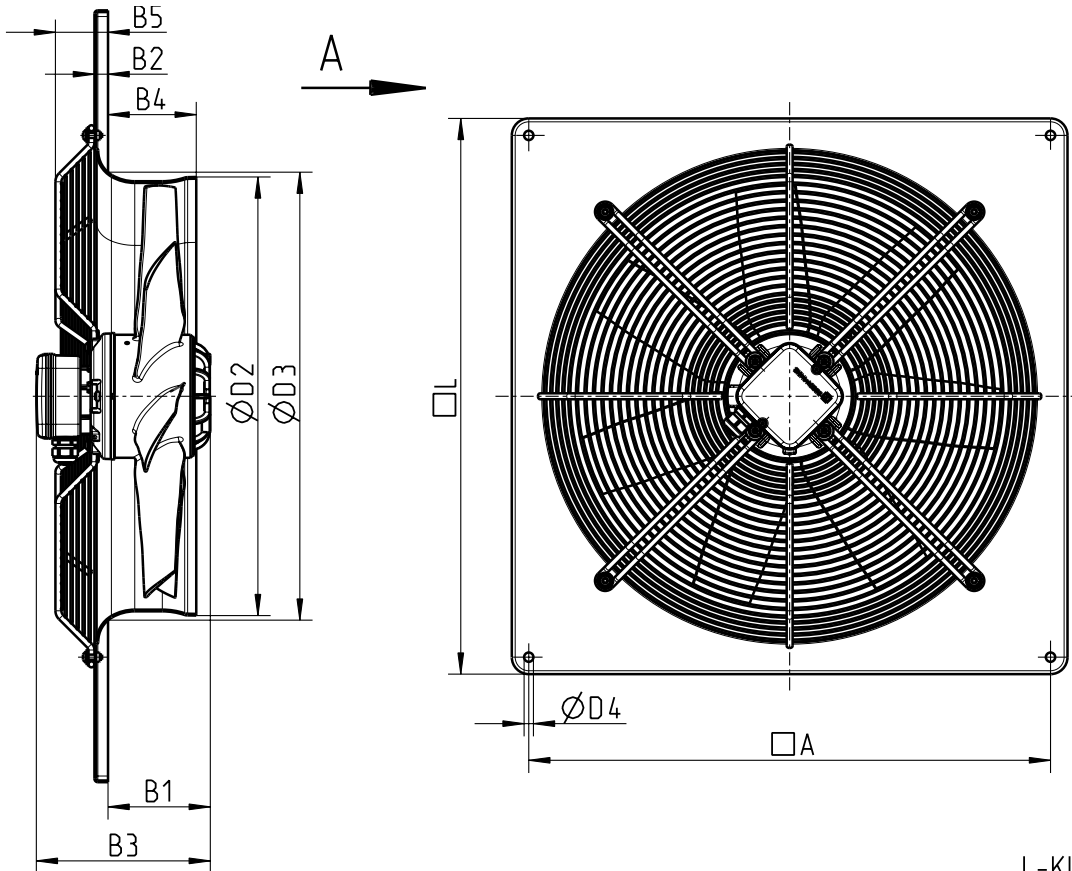
Electrical connection

Connection cable

FC _ _ _ - DQ.4 .A7

Airflow direction A

Design Q



L-KL-2681

FC

Type	Article no.	A		B1		B2		B3		B4		B5		D2		D4		D3		L	
		mm	inch	mm	inch	mm	inch	mm	inch	mm	inch	mm	inch	mm	inch	mm	inch	mm	inch	mm	inch
FC045-4DQ.4F.A7	141 440	535	21.06	113	4.45	14	0.55	141	5.55	96	3.78	27	1.06	463	18.23	11	0.43	480	18.9	575	22.64
FC045-6DQ.4C.A7	141 446	535	21.06	98	3.86	14	0.55	126	4.96	96	3.78	27	1.06	463	18.23	11	0.43	480	18.9	575	22.64
FC050-4DQ.4I.A7	141 452	615	24.21	141	5.55	16	0.63	225	8.86	104	4.09	62	2.44	517	20.35	11	0.43	528	20.79	655	25.79
FC050-6DQ.4C.A7	141 458	615	24.21	98	3.86	16	0.63	126	4.96	104	4.09	62	2.44	517	20.35	11	0.43	528	20.79	655	25.79
FC056-6DQ.4F.A7	141467	675	26.57	121	4.76	16	0.63	205	8.07	119	4.69	60	2.36	568	22.36	11	0.43	589	23.19	725	28.54

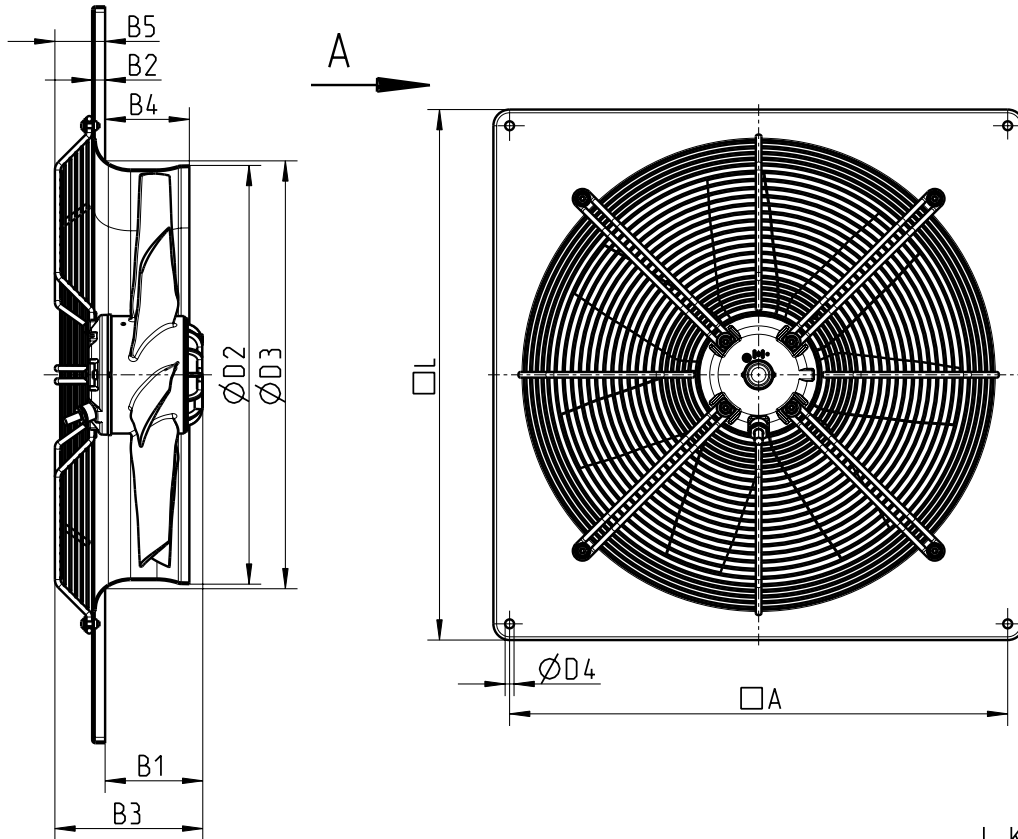
L-KL-2681

Electrical connection
Terminal box K62

FC _ _ _ - EQ.4 .A7

Airflow direction A

Design Q



FC

L-KL-2684

Type	Article no.	A		B1		B2		B3		B4		B5		D2		D4		D3		L	
		mm	inch	mm	inch	mm	inch	mm	inch	mm	inch	mm	inch	mm	inch	mm	inch	mm	inch	mm	inch
FC045-4EQ.4F.A7	141 598	535	21.06	141	5.55	14	0.55	205	8.07	96	3.78	64	2.52	463	18.23	11	0.43	480	18.9	575	22.64
FC045-6EQ.4C.A7	141 601	535	21.06	126	4.96	14	0.55	190	7.48	96	3.78	64	2.52	463	18.23	11	0.43	480	18.9	575	22.64
FC050-4EQ.4I.A7	141 455	615	24.21	141	5.55	16	0.63	203	7.99	104	4.09	62	2.44	517	20.35	11	0.43	528	20.79	655	25.79
FC050-6EQ.4F.A7	141 461	615	24.21	126	4.96	16	0.63	183	7.2	104	4.09	62	2.44	517	20.35	11	0.43	528	20.79	655	25.79
FC056-6EQ.4I.A7	141 607	675	26.57	143	5.63	16	0.63	203	7.99	119	4.69	60	2.36	568	22.36	11	0.43	589	23.19	725	28.54

L-KL-2684

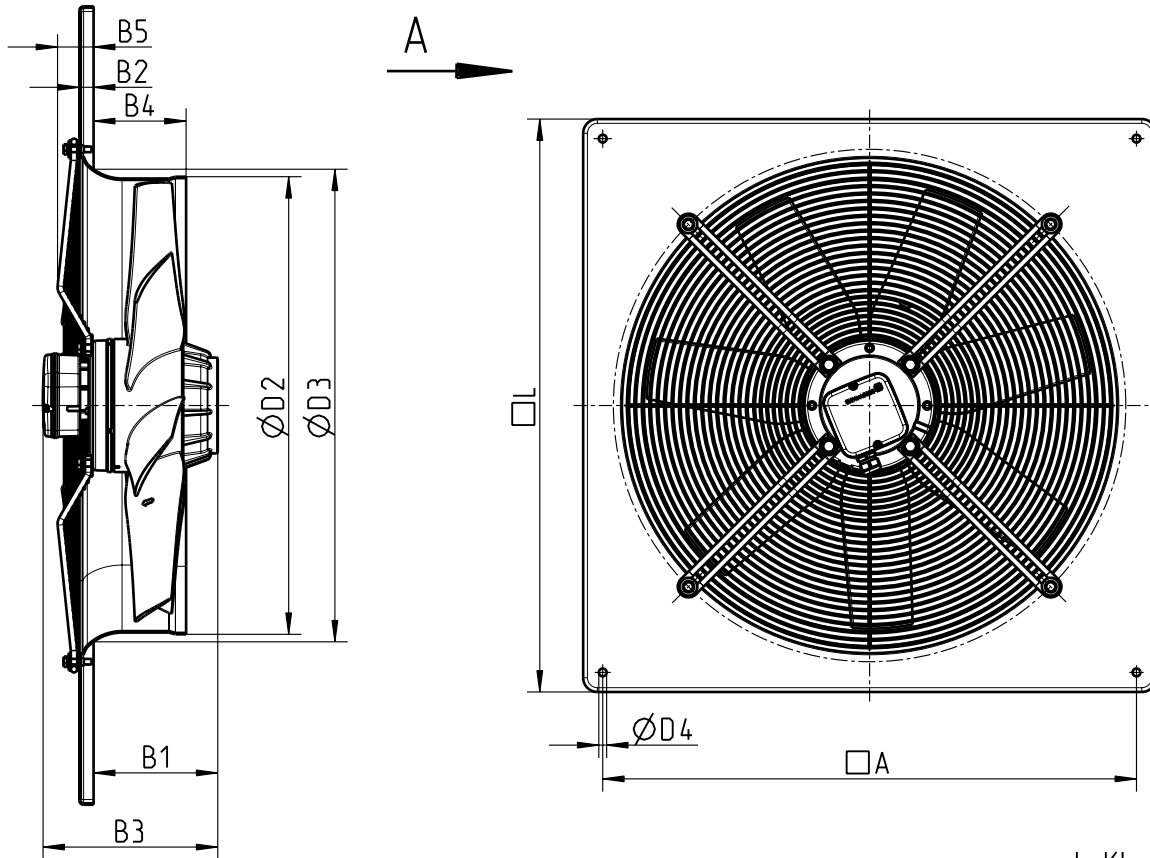
Electrical connection

Connection cable

FC___ - DQ.6.A7

Airflow direction A

Design Q



L-KL-2687

Type	Article no.	A		B1		B2		B3		B4		B5		D2		D4		D3		L	
		mm	inch	mm	inch	mm	inch	mm	inch	mm	inch	mm	inch	mm	inch	mm	inch	mm	inch	mm	inch
FC056-4DQ.6K.A7	141 464	675	26.57	168	6.61	16	0.63	246	9.69	119	4.69	53	2.09	568	22.36	11	0.43	589	23.19	725	28.54
FC063-4DQ.6N.A7	141 473	750	29.53	200	7.87	20	0.79	271	10.67	130	5.12	51	2.01	643	25.31	11	0.43	664	26.14	805	31.69
FC063-6DQ.6F.A7	141 476	750	29.53	150	5.91	20	0.79	221	8.7	130	5.12	51	2.01	643	25.31	11	0.43	664	26.14	805	31.69

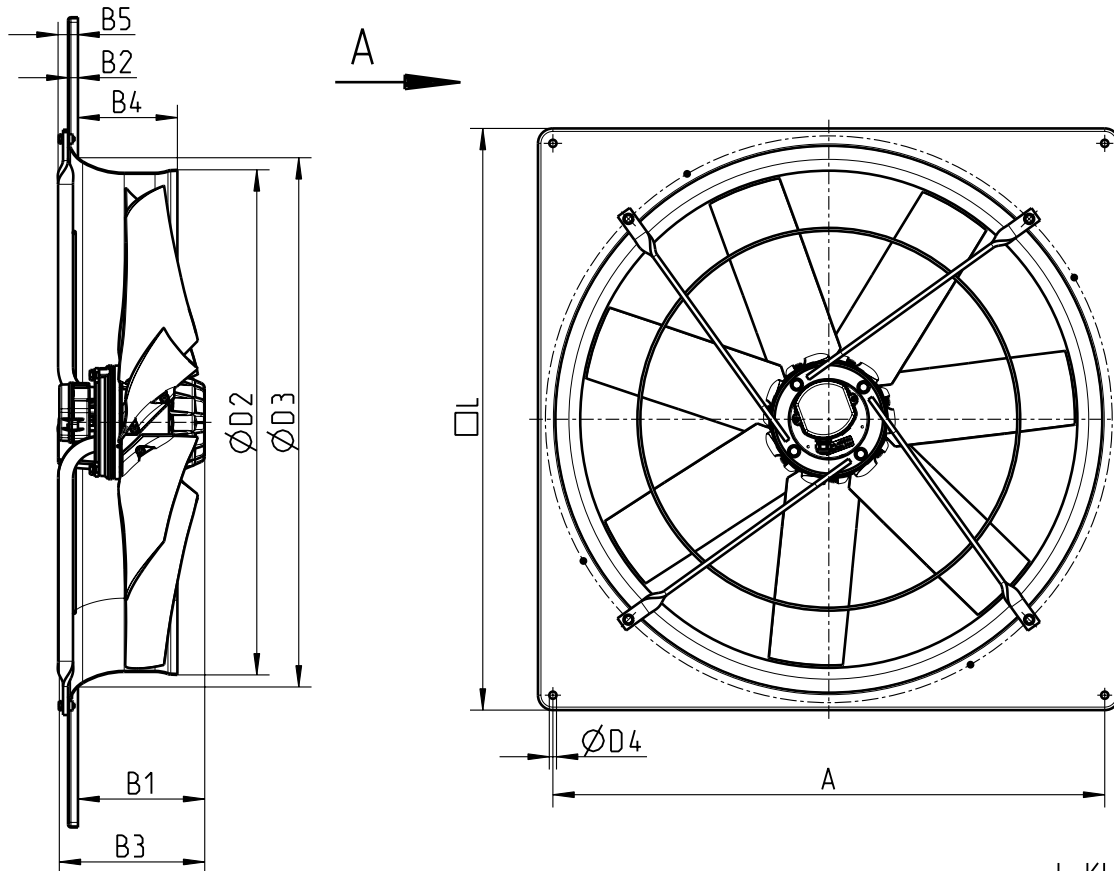
L-KL-2687

Electrical connection
Terminal box K62

FC _ _ _ - DQ.6_.A7

Airflow direction A

Design Q



L-KL-2692

FC

Type	Article no.	A		B1		B2		B3		B4		B5		D2		D4		D3		L	
		mm	inch	mm	inch	mm	inch	mm	inch	mm	inch	mm	inch	mm	inch	mm	inch	mm	inch	mm	inch
FC071-6DQ.6K.A7*	141 483	810	31.89	202	7.95	20	0.79	246	9.69	150	5.91	37	1.46	720	28.35	14.5	0.57	763	30.04	850	33.46
FC080-6DQ.6N.A7*	141 485	910	35.83	252	9.92	17	0.67	271	10.67	193	7.6	34	1.34	804	31.65	14.5	0.57	869	34.21	970	38.19
FC091-6DQ.7Q.A7**	141 487	1010	39.76	278	10.94	20	0.79	322.5	12.7	190	7.48	41	1.61	922	36.3	14.5	0.57	977	38.46	1070	42.13
FC100-ZDQ.7Q.A7**	141 489	1110	43.7	305	12.01	20	0.79	322.5	12.7	200	7.87	40	1.57	1016	40	14.5	0.57	1067	42.01	1170	46.06

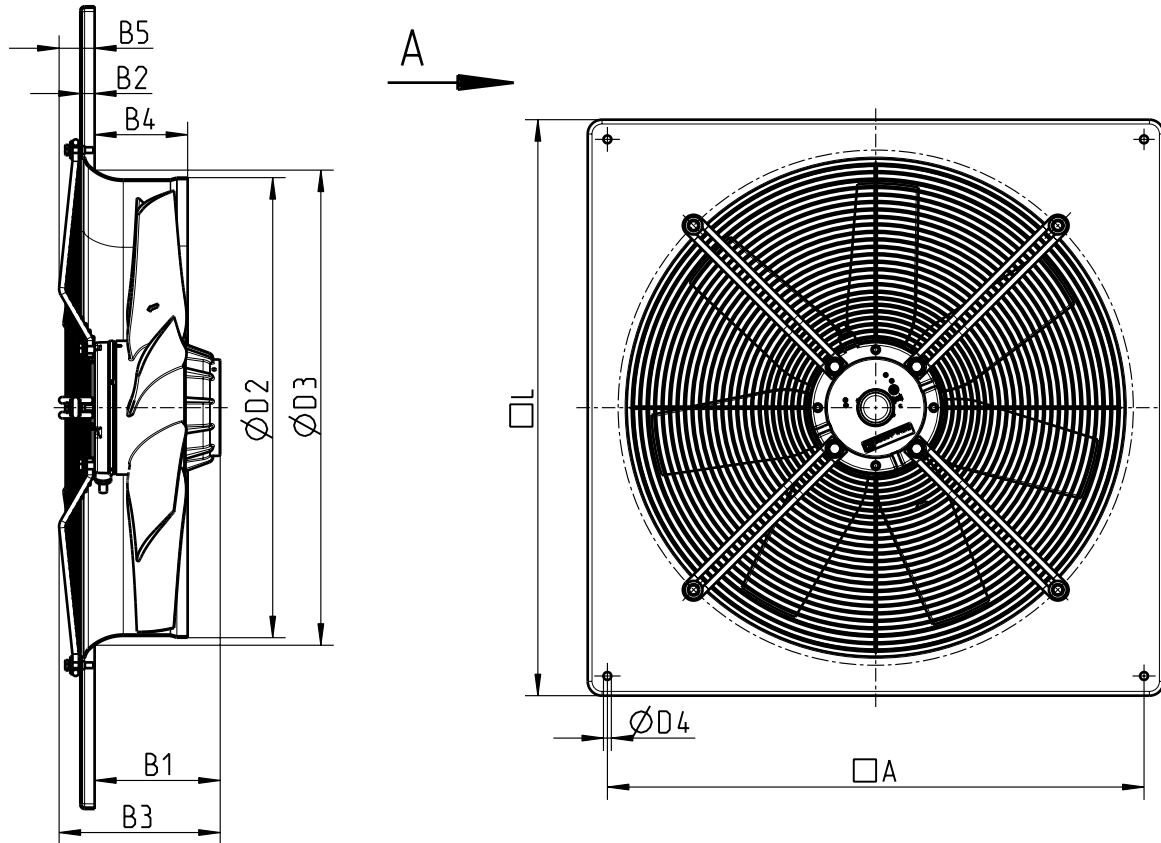
L-KL-2692

Electrical connection
Terminal box K62*/K07**

FC_ _ _ - EQ.6 .A7

Airflow direction A

Design Q



L-KL-2690

Type	Article no.	A		B1		B2		B3		B4		B5		D2		D4		D3		L	
		mm	inch	mm	inch	mm	inch	mm	inch	mm	inch	mm	inch	mm	inch	mm	inch	mm	inch	mm	inch
FC063-6EQ.6F.A7	141 604	750	29.53	149.5	5.89	20	0.79	200.5	7.89	130	5.12	51	2.01	643	25.31	11	0.43	664	26.14	805	31.69

L-KL-2690

Electrical connection
Connection cable