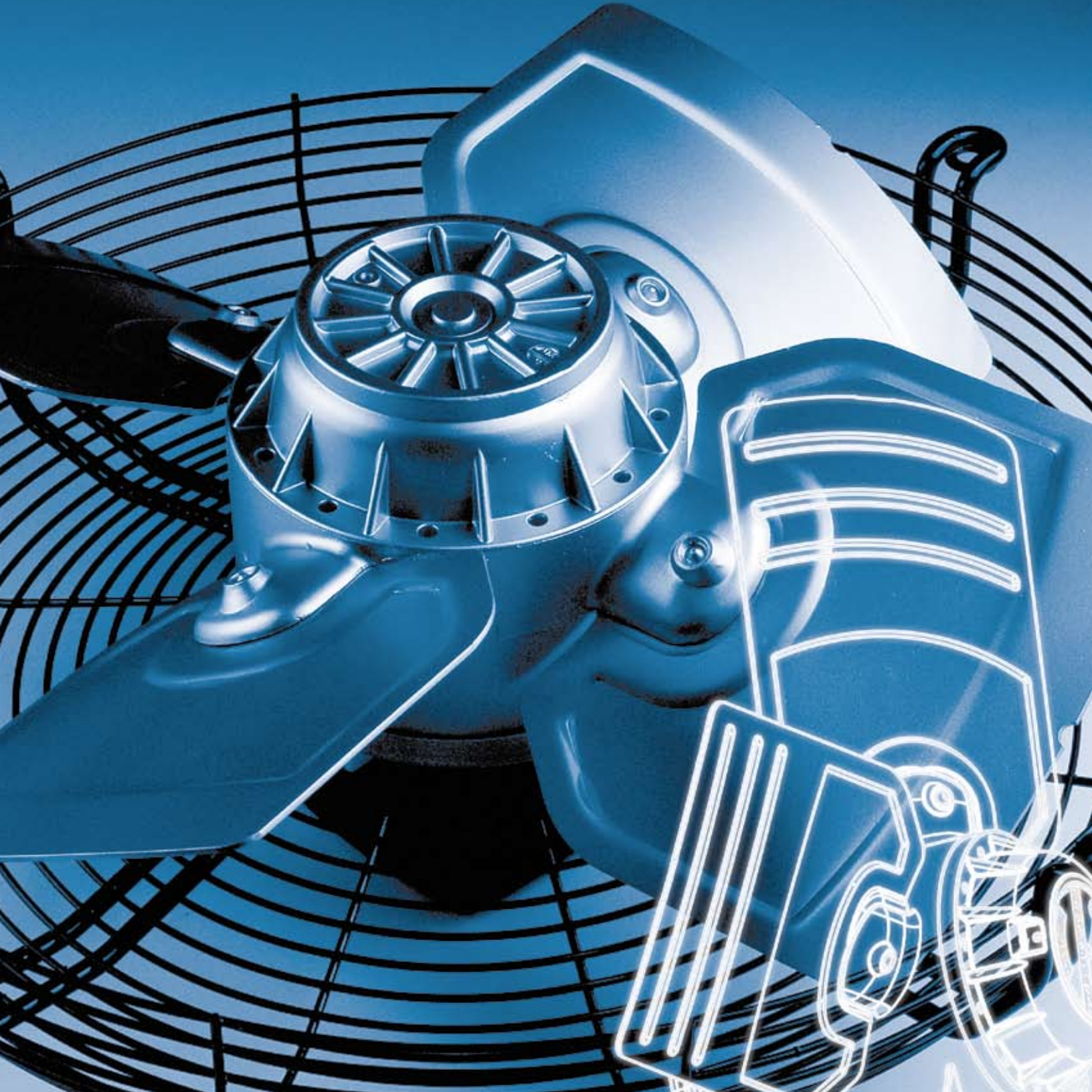


**Technical data**

**Axial fans  
Series FB**



# Axial fans Design FB

## Contents of delivery

### Standard version

#### Voltage

1~ 115 V

3~ 265/460 V  $\Delta/Y$

#### Frequency

60 Hz

#### Thermal insulation class

155 (previous: insulation class F)

#### Protection

IP 54

#### Motor protection

Thermostat switch (TB)

#### Paint finish

Standard design without paint finish

#### Accessories

See section Accessories

#### Necessary order data

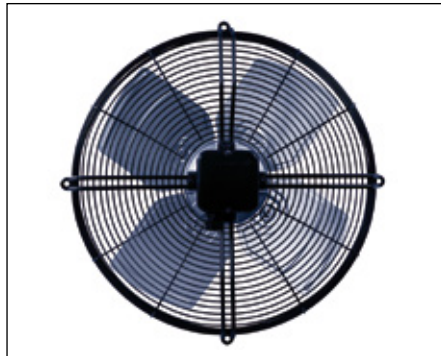
Article no., Type

#### On request, at extra charge

- Different voltage to 115 resp. 460 V
- 50 Hz
- Paint finish, RAL 9005, black



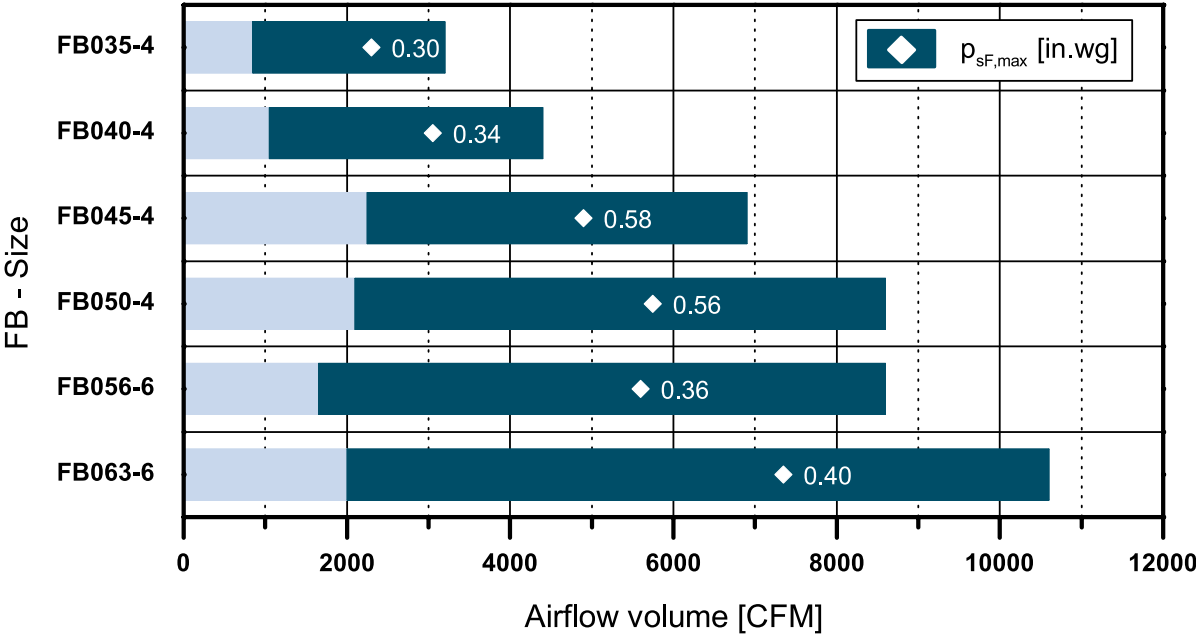
FB... design A



FB... design K

FB

# Quick selection



FB

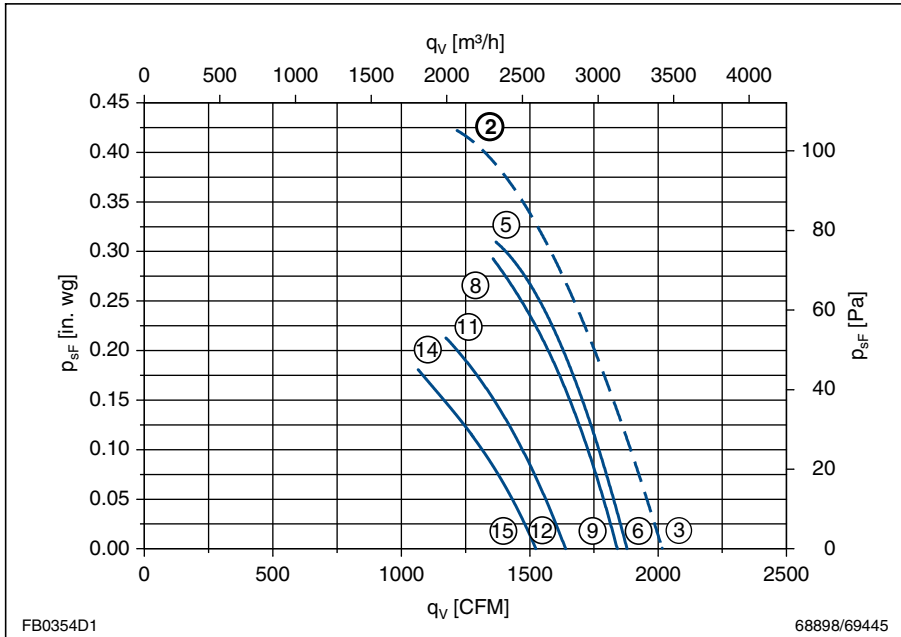
# FB035-4D\_.2C\_.4P

## Performance data

3 ~ 460V 60Hz

$P_1$	0.21	kW
$I$	0.39	A
$n$	1660	rpm
$I_A$	1.5	A
$\Delta I$	0	%
$t_R^{(2)}$	70/158	°C/°F
$t_R^{(5)}$	70/158	°C/°F

## Characteristic data

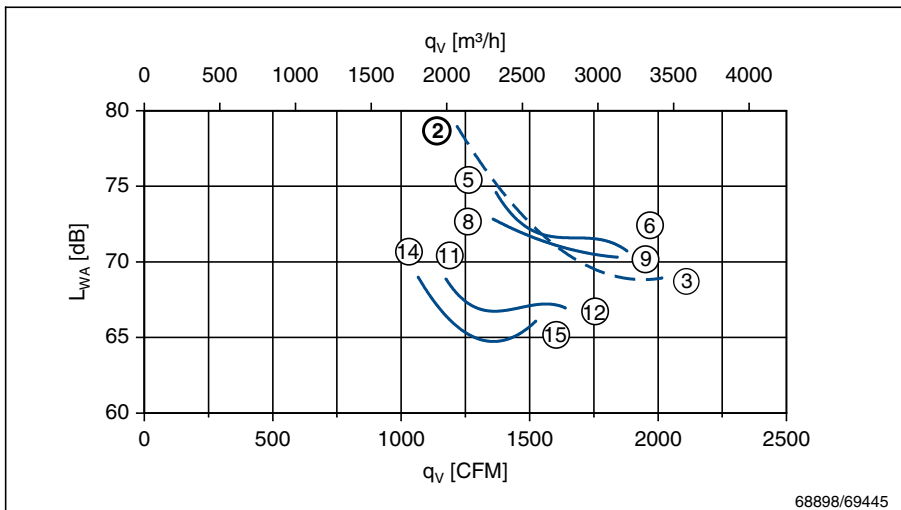


	U	I	$P_1$	n
	V	A	W	rpm
②	460	0.39	210	1660
③		0.34	150	1710
⑤	460	0.38	200	1670
⑥		0.36	175	1690
⑧	400	0.36	190	1620
⑨		0.32	160	1660
⑪	265	0.37	155	1390
⑫		0.32	130	1470
⑭	230	0.38	135	1270
⑮		0.33	120	1370

$$p_{d2} = 4.7 \cdot 10^{-6} \cdot q_v^2$$

--- measured in full bell mouth without guard grille in installation type A according to ISO 5801

— measured in short bell mouth with guard grille on the pressure side



## Dimension sheet

Type	Article no.	Design	Airflow direction	Weight		Connection diagram	Dimension sheet	Page
				kg	lbs.			
FB035-4DW.2C.A4P	141 506	W	A	4.5	9.9	106XB	L-KL-2693	130
FB035-4DK.2C.V4P	141 507	K	V	4.8	11	106XA	L-KL-2694	134

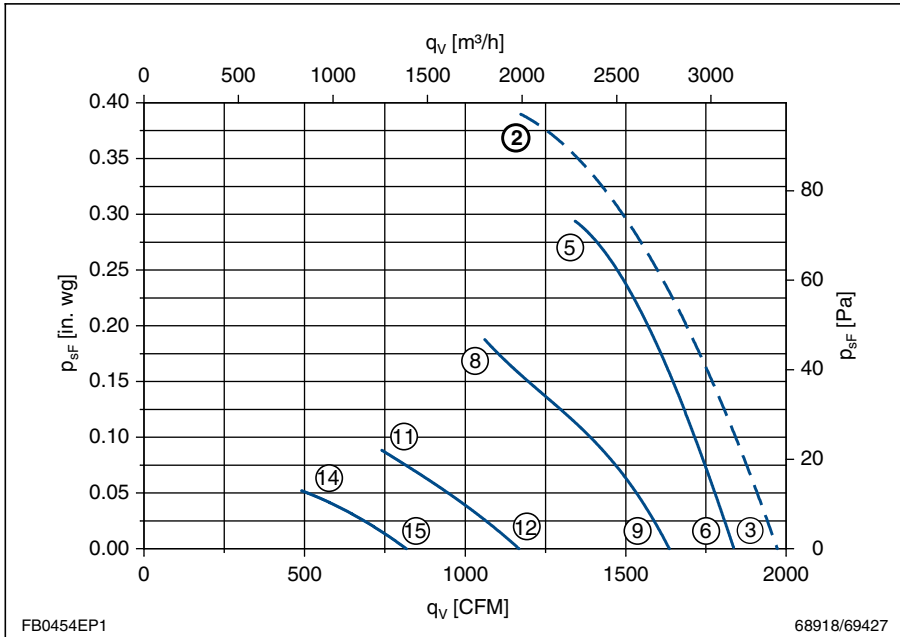
# FB035-4E\_.2C\_.4P

## Performance data

1 ~ 115V 60Hz

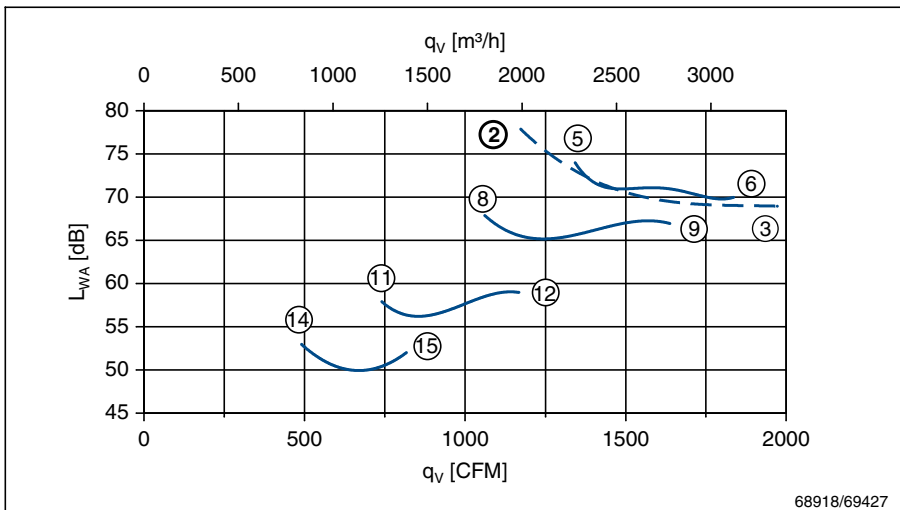
$P_1$	0.24	kW
$I$	2.1	A
$n$	1600	rpm
$I_A$	2.7	A
$\Delta I$	0	%
$C_{230V}$	20	$\mu F$
$t_R^{(2)}$	70/158	$^{\circ}C/^{\circ}F$
$t_R^{(5)}$	70/158	$^{\circ}C/^{\circ}F$

## Characteristic data



	U	I	$P_1$	n
	V	A	W	rpm
②	115	2.10	240	1600
③		1.75	200	1690
⑤	115	2.00	230	1620
⑥		1.90	220	1660
⑧	85	1.85	150	1290
⑨		1.75	145	1480
⑪	68	1.50	94	880
⑫		1.50	94	1050
⑭	55	1.20	59	670
⑮		1.20	60	750

$$p_{d2} = 4.7 \cdot 10^{-6} \cdot q_v^2$$



--- measured in full bell mouth without guard grille in installation type A according to ISO 5801

— measured in short bell mouth with guard grille on the pressure side

FB

## Dimension sheet

Type	Article no.	Design	Airflow direction	Weight		Connection diagram	Dimension sheet	Page
				kg	lbs.			
FB035-4EW.2C.A4P	141 508	W	A	4.5	9.9	118XB	L-KL-2695	131
FB035-4EK.2C.V4P	141 509	K	V	4.8	11	117XA	L-KL-2696	135

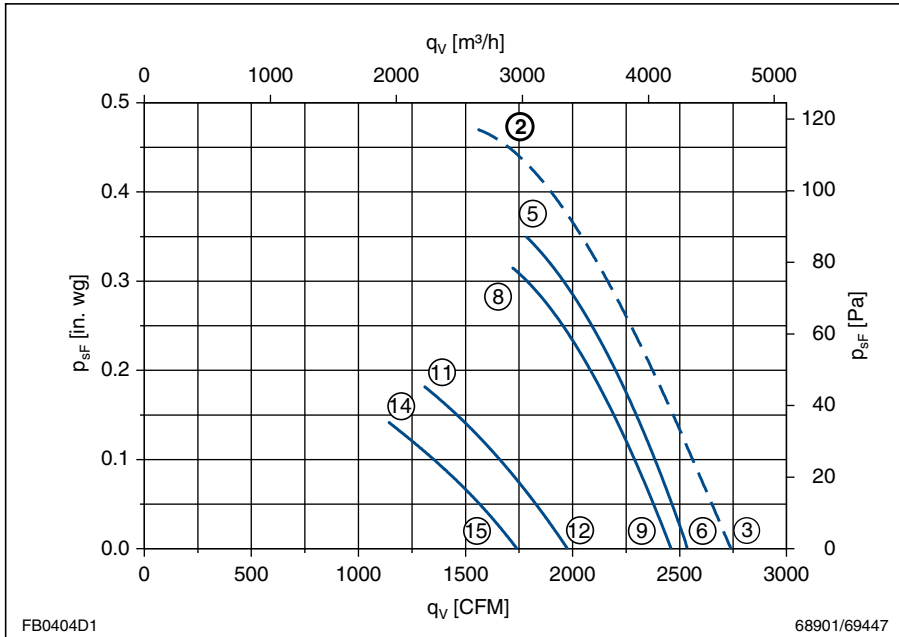
# FB040-4D\_.2C\_.4P

## Performance data

3 ~ 460V 60Hz

$P_1$	0.33	kW
$I$	0.49	A
$n$	1550	rpm
$I_A$	1.5	A
$\Delta I$	0	%
$t_R^{(2)}$	70/158	°C/°F
$t_R^{(5)}$	70/158	°C/°F

## Characteristic data

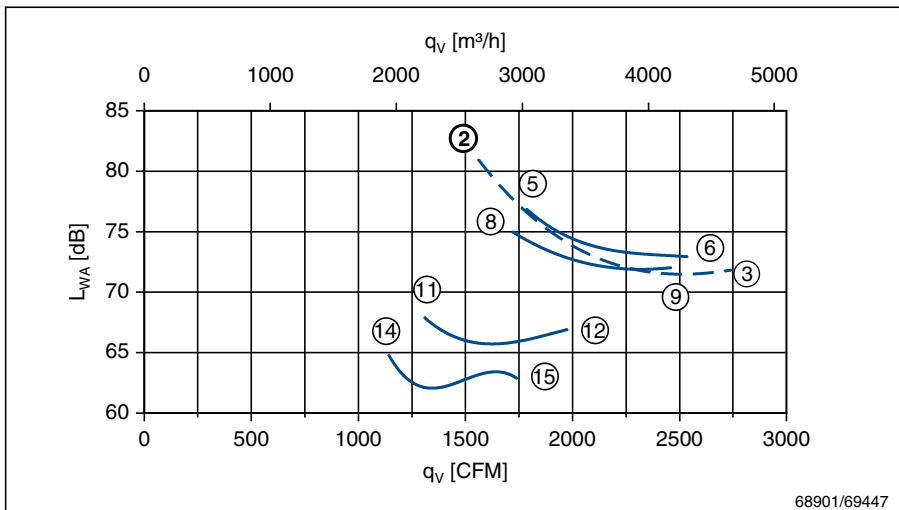


	U	I	P <sub>1</sub>	n
	V	A	W	rpm
②	460	0.49	330	1550
③		0.38	220	1660
⑤	460	0.47	310	1570
⑥		0.42	260	1620
⑧	400	0.48	290	1500
⑨		0.42	240	1560
⑪	265	0.50	210	1130
⑫		0.45	185	1240
⑭	230	0.48	175	990
⑮		0.44	160	1100

$$p_{d2} = 2.9 \cdot 10^{-6} \cdot q_v^2$$

--- measured in full bell mouth without guard grille in installation type A according to ISO 5801

— measured in short bell mouth with guard grille on the pressure side



## Dimension sheet

Type	Article no.	Design	Airflow direction	Weight		Connection diagram	Dimension sheet	Page
				kg	lbs.			
FB040-4DW.2C.A4P	141 510	W	A	5.9	13	106XB	L-KL-2693	130
FB040-4DK.2C.V4P	141 511	K	V	5.9	13	106XA	L-KL-2694	134

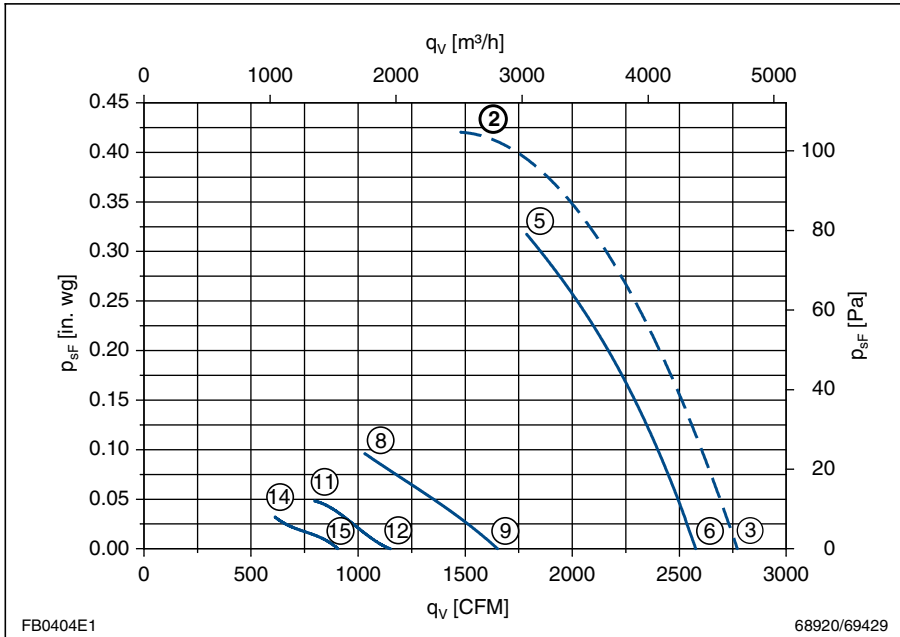
# FB040-4E\_.2F\_.4P

## Performance data

1 ~ 115V 60Hz

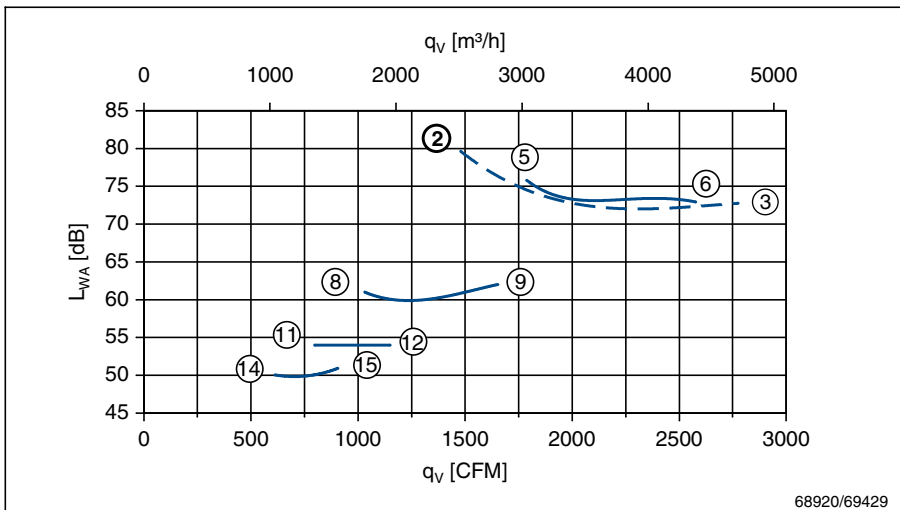
$P_1$	0.34	kW
$I$	3.1	A
$n$	1460	rpm
$I_A$	5.5	A
$\Delta I$	0	%
$C_{230V}$	20	$\mu F$
$t_R^{(2)}$	60/140	$^{\circ}C/^{\circ}F$
$t_R^{(5)}$	60/140	$^{\circ}C/^{\circ}F$

## Characteristic data



	U	I	$P_1$	n
	V	A	W	rpm
②	115	3.1	340	1460
③		2.4	270	1670
⑤	115	3.0	320	1530
⑥		2.6	290	1630
⑧	85	2.5	180	850
⑨		2.5	180	1030
⑪	68	1.95	110	630
⑫		1.95	110	720
⑭	55	1.55	70	490
⑮		1.55	70	560

$$p_{d2} = 4.7 \cdot 10^{-6} \cdot q_v^2$$



--- measured in full bell mouth without guard grille in installation type A according to ISO 5801

— measured in short bell mouth with guard grille on the pressure side

FB

## Dimension sheet

Type	Article no.	Design	Airflow direction	Weight		Connection diagram	Dimension sheet	Page
				kg	lbs.			
FB040-4EW.2F.A4P	141 512	W	A	6.1	13	118XB	L-KL-2695	131
FB040-4EK.2F.V4P	141 513	K	V	6.1	13	117XA	L-KL-2696	135

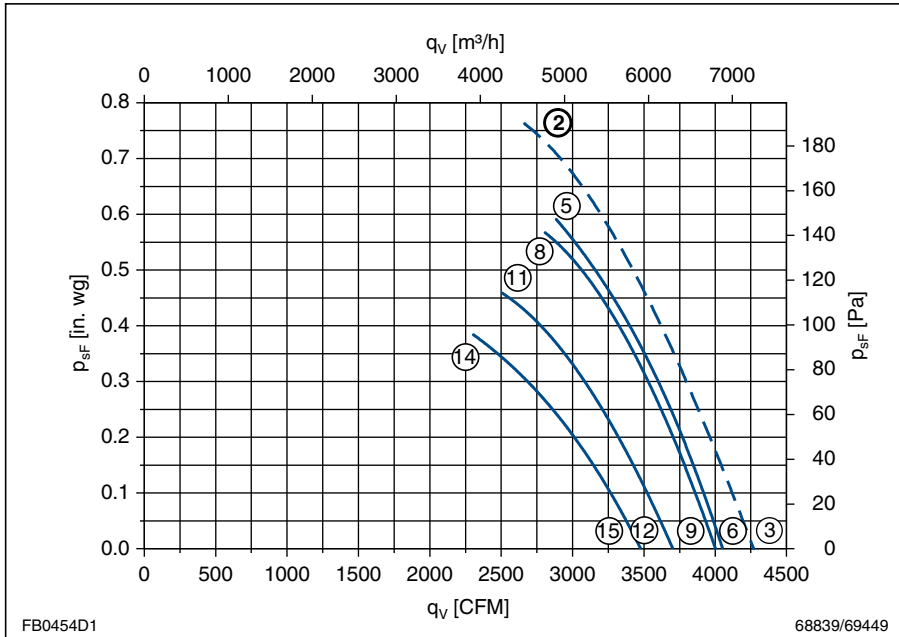
# FB045-4D\_.4I\_.4P

## Performance data

3 ~ 460V 60Hz

$P_1$	0.69	kW
$I$	1.30	A
$n$	1720	rpm
$I_A$	4	A
$\Delta I$	25	%
$t_R^{(2)}$	60/140	°C/°F
$t_R^{(5)}$	60/140	°C/°F

## Characteristic data

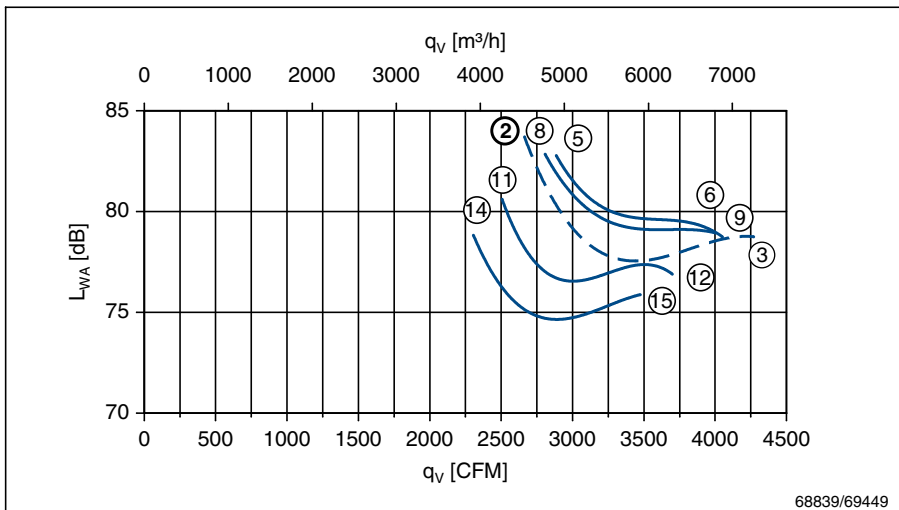


	U	I	P <sub>1</sub>	n
	V	A	W	rpm
②	460	1.30	690	1720
③		1.10	470	1760
⑤	460	1.30	670	1720
⑥		1.15	550	1740
⑧	400	1.20	640	1690
⑨		1.05	520	1720
⑪	265	1.45	570	1520
⑫		1.20	470	1590
⑭	230	1.60	520	1400
⑮		1.35	450	1490

$$p_{d2} = 1.8 \cdot 10^{-6} \cdot q_v^2$$

--- measured in full bell mouth without guard grille in installation type A according to ISO 5801

— measured in short bell mouth with guard grille on the pressure side



## Dimension sheet

Type	Article no.	Design	Airflow direction	Weight		Connection diagram	Dimension sheet	Page
				kg	lbs.			
FB045-4DW.4I.A4P	141 514	W	A	11	24	106XB	L-KL-2697	132
FB045-4DK.4I.V4P	141 515	K	V	11	24	106XA	L-KL-2698	136



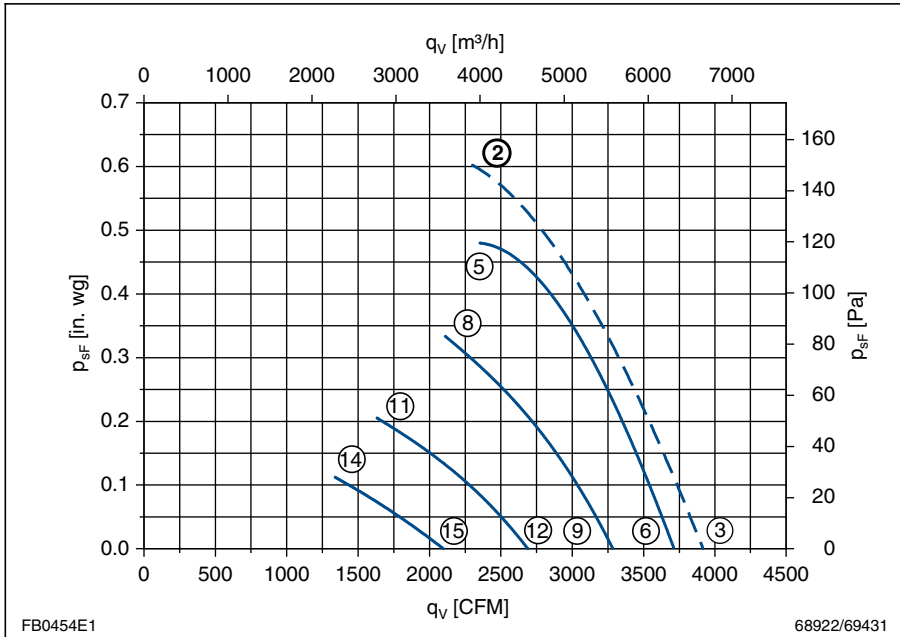
# FB045-4E\_.4I\_.4P

## Performance data

1 ~ 115V 60Hz

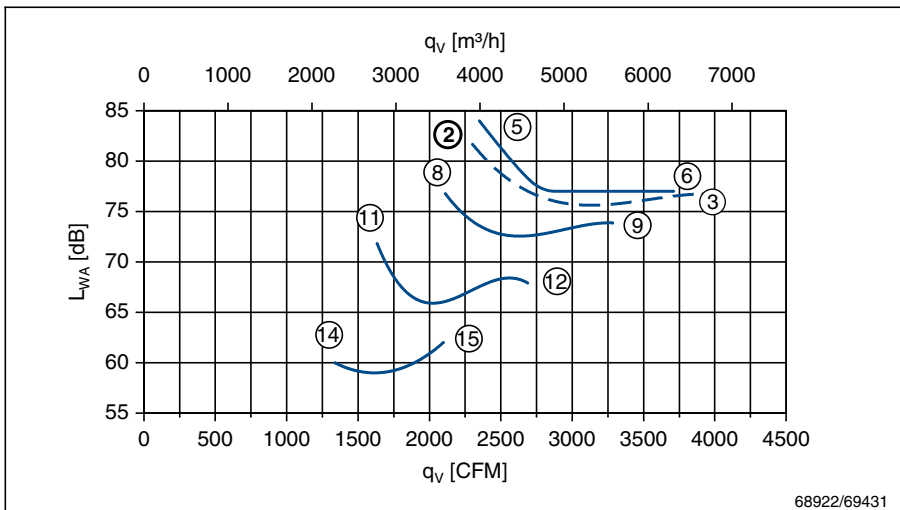
$P_1$	0.63	kW
$I$	5.40	A
$n$	1530	rpm
$I_A$	15.5	A
$\Delta I$	5	%
$C_{230V}$	40	$\mu F$
$t_R^{(2)}$	70/158	$^{\circ}C/^{\circ}F$
$t_R^{(5)}$	70/158	$^{\circ}C/^{\circ}F$

## Characteristic data



	U	I	$P_1$	n
	V	A	W	rpm
②	115	5.4	630	1530
③		4.3	490	1620
⑤	115	5.1	590	1550
⑥		4.7	530	1600
⑧	85	5.5	460	1310
⑨		4.9	410	1410
⑪	68	5.3	340	1030
⑫		4.9	320	1150
⑭	55	4.7	240	770
⑮		4.5	240	890

$$p_{d2} = 1.8 \cdot 10^{-6} \cdot q_v^2$$



--- measured in full bell mouth without guard grille in installation type A according to ISO 5801

— measured in short bell mouth with guard grille on the pressure side

FB

## Dimension sheet

Type	Article no.	Design	Airflow direction	Weight		Connection diagram	Dimension sheet	Page
				kg	lbs.			
FB045-4EW.4I.A4P	141 516	W	A	11	24	118XB	L-KL-2699	133
FB045-4EK.4I.V4P	141 517	K	V	11	24	117XA	L-KL-2700	137

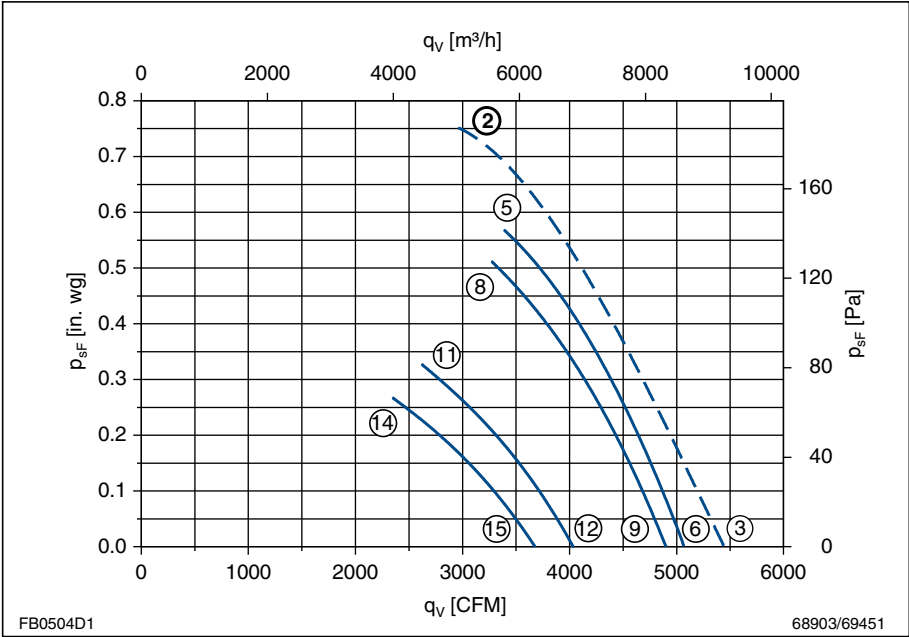
# FB050-4D\_.4I\_.4P

## Performance data

3 ~ 460V 60Hz

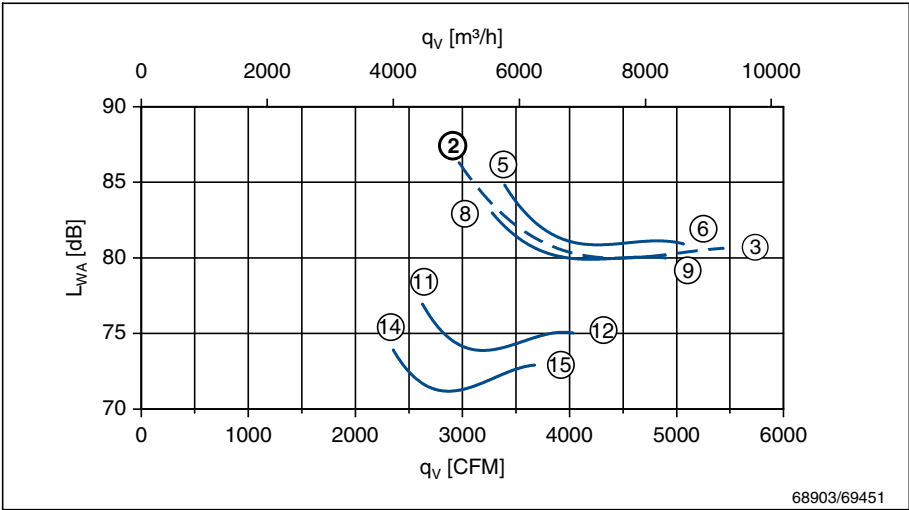
$P_1$	0.93	kW
$I$	1.65	A
$n$	1510	rpm
$I_A$	5.5	A
$\Delta I$	0	%
$t_R^{(2)}$	70/158	°C/°F
$t_R^{(5)}$	70/158	°C/°F

## Characteristic data



	U	I	P <sub>1</sub>	n
	V	A	W	rpm
②	460	1.65	930	1510
③		1.30	640	1620
⑤	460	1.55	880	1530
⑥		1.40	730	1580
⑧	400	1.55	800	1460
⑨		1.35	670	1530
⑪	265	1.45	550	1160
⑫		1.30	490	1260
⑭	230	1.40	450	1050
⑮		1.25	410	1150

$$p_{d2} = 1.2 \cdot 10^{-6} \cdot q_v^2$$



--- measured in full bell mouth without guard grille in installation type A according to ISO 5801

— measured in short bell mouth with guard grille on the pressure side

## Dimension sheet

Type	Article no.	Design	Airflow direction	Weight		Connection diagram	Dimension sheet	Page
				kg	lbs.			
FB050-4DW.4I.A4P	141 518	W	A	11	25	106XB	L-KL-2697	132
FB050-4DK.4I.V4P	141 519	K	V	11	25	106XA	L-KL-2698	136

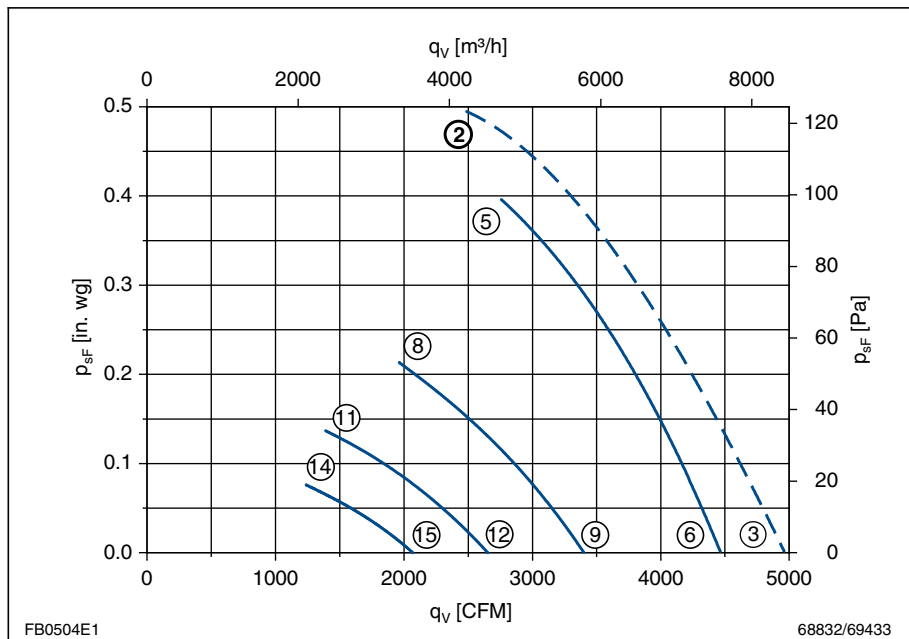
# FB050-4E\_.4I\_.4P

## Performance data

1 ~ 115V 60Hz

$P_1$	0.75	kW
$I$	6.6	A
$n$	1220	rpm
$I_A$	14.2	A
$\Delta I$	0	%
$C_{230V}$	40	$\mu F$
$t_R^{(2)}$	60/140	$^{\circ}C/^{\circ}F$
$t_R^{(5)}$	60/140	$^{\circ}C/^{\circ}F$

## Characteristic data

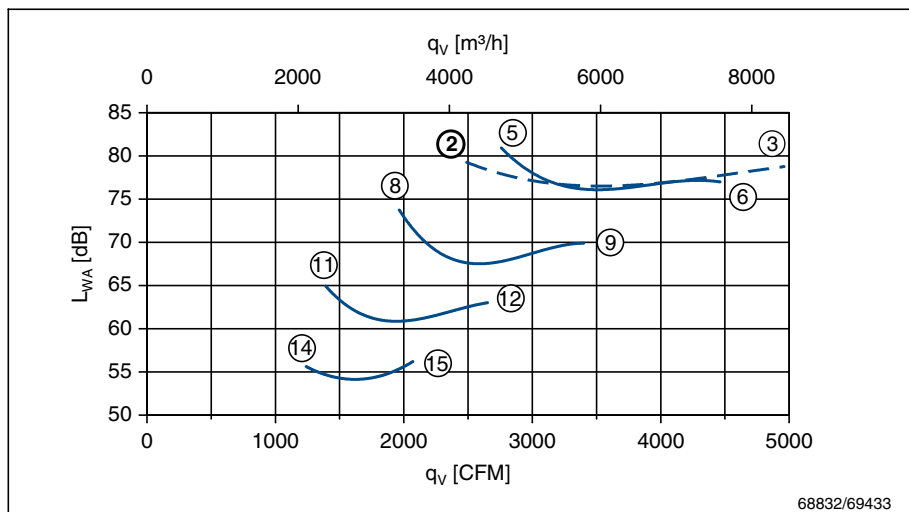


	U	I	$P_1$	n
	V	A	W	rpm
②	115	6.6	750	1220
③		5.3	610	1470
⑤	115	6.3	720	1280
⑥		5.7	660	1400
⑧	85	5.5	460	940
⑨		5.3	430	1060
⑪	68	5.0	300	700
⑫		4.6	300	820
⑭	55	3.9	200	550
⑮		3.9	200	640

$$p_{d2} = 1.2 \cdot 10^{-6} \cdot q_v^2$$

--- measured in full bell mouth without guard grille in installation type A according to ISO 5801

— measured in short bell mouth with guard grille on the pressure side



## Dimension sheet

Type	Article no.	Design	Airflow direction	Weight		Connection diagram	Dimension sheet	Page
				kg	lbs.			
FB050-4EW.4I.A4P	141 520	W	A	11	25	118XB	L-KL-2699	133
FB050-4EK.4I.V4P	141 521	K	V	11	25	117XA	L-KL-2700	137



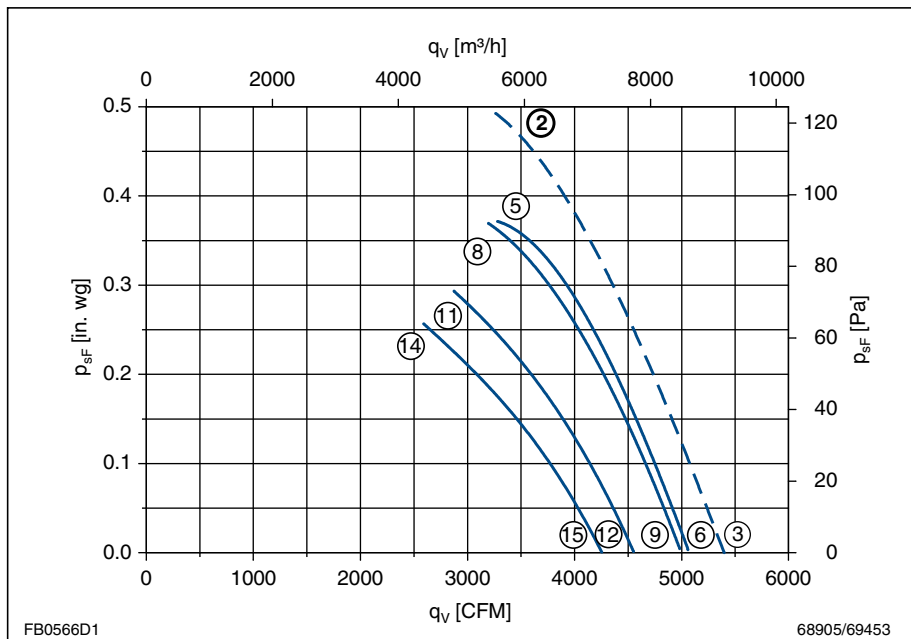
# FB056-6D\_.4I\_.4P

## Performance data

3 ~ 460V 60Hz

$P_1$	0.59	kW
$I_1$	1.10	A
$n$	1120	rpm
$I_A$	4.5	A
$\Delta I$	10	%
$t_R^{(2)}$	70/158	°C/°F
$t_R^{(5)}$	70/158	°C/°F

## Characteristic data

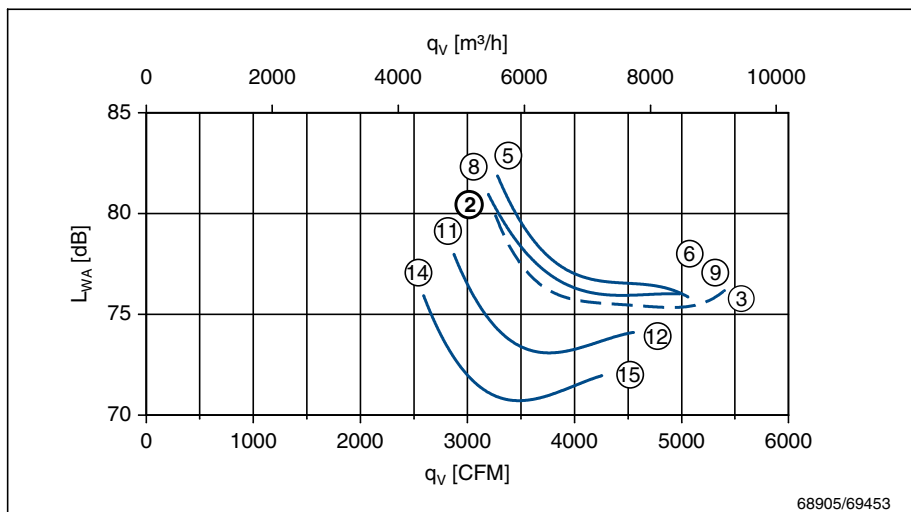


	U	I	P <sub>1</sub>	n
	V	A	W	rpm
②	460	1.10	590	1120
③		0.96	410	1150
⑤	460	1.10	540	1130
⑥		1.00	460	1150
⑧	400	1.00	510	1110
⑨		0.91	430	1130
⑪	265	1.10	430	990
⑫		0.94	360	1130
⑭	230	1.10	390	910
⑮		0.98	340	960

$$p_{d2} = 7.7 \cdot 10^{-7} \cdot q_v^2$$

--- measured in full bell mouth without guard grille in installation type A according to ISO 5801

— measured in short bell mouth with guard grille on the pressure side



FB

## Dimension sheet

Type	Article no.	Design	Airflow direction	Weight		Connection diagram	Dimension sheet	Page
				kg	lbs.			
FB056-6DW.4I.A4P	141 522	W	A	12	27	106XB	L-KL-2697	132
FB056-6DK.4I.V4P	141 523	K	V	12	27	106XA	L-KL-2698	136

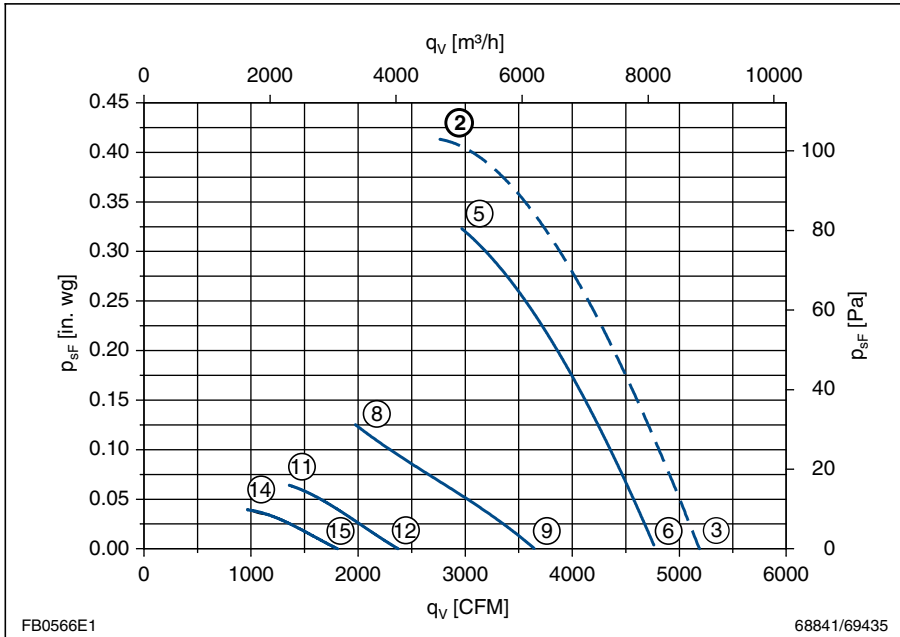
# FB056-6E\_.4I\_.4P

## Performance data

1 ~ 115V 60Hz

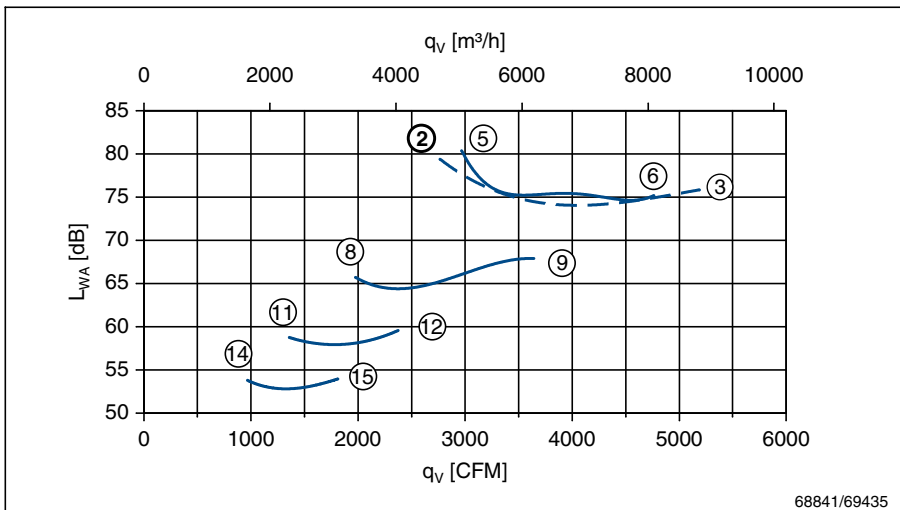
$P_1$	0.55	kW
$I$	4.80	A
$n$	1020	rpm
$I_A$	6	A
$\Delta I$	0	%
$C_{230V}$	55	$\mu F$
$t_R^{(2)}$	65/149	$^{\circ}C/^{\circ}F$
$t_R^{(5)}$	65/149	$^{\circ}C/^{\circ}F$

## Characteristic data



	U	I	$P_1$	n
	V	A	W	rpm
②	115	4.8	550	1020
③		4.1	440	1110
⑤	115	4.5	520	1050
⑥		4.2	470	1090
⑧	85	4.0	330	650
⑨		3.9	330	830
⑪	68	3.2	210	470
⑫		3.2	210	540
⑭	55	2.6	135	350
⑮		2.6	135	410

$$p_{d2} = 7.7 \cdot 10^{-7} \cdot q_v^2$$



--- measured in full bell mouth without guard grille in installation type A according to ISO 5801

— measured in short bell mouth with guard grille on the pressure side

FB

## Dimension sheet

Type	Article no.	Design	Airflow direction	Weight		Connection diagram	Dimension sheet	Page
				kg	lbs.			
FB056-6EW.4I.A4P	141 524	W	A	12	27	118XB	L-KL-2699	133
FB056-6EK.4I.V4P	141 525	K	V	12	27	117XA	L-KL-2700	137

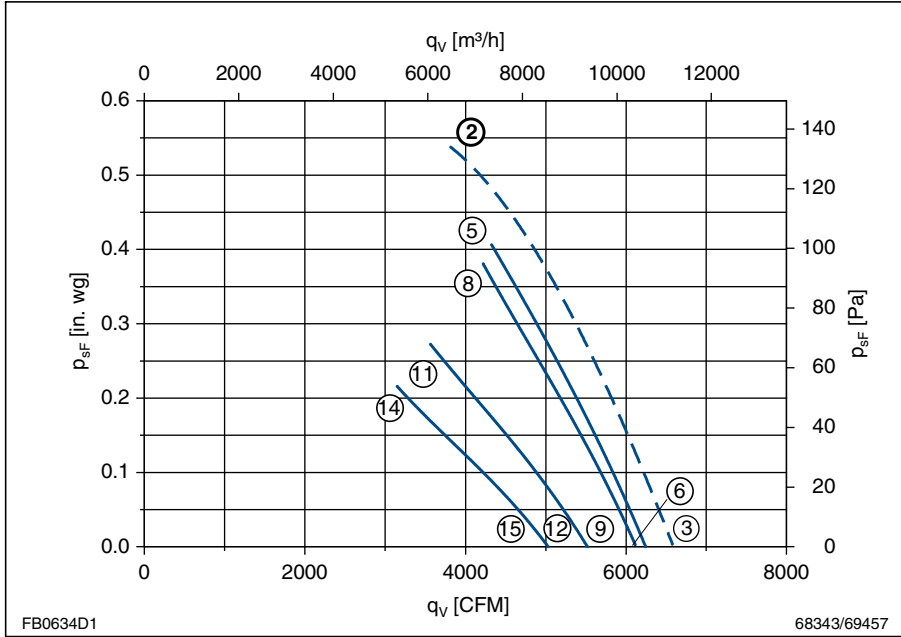
# FB063-6D\_.4I\_.4L

## Performance data

3 ~ 460V 60Hz

$P_1$	0.71	kW
$I$	1.20	A
$n$	1090	rpm
$I_A$	5	A
$\Delta I$	15	%
$t_R^{(2)}$	65/149	°C/°F
$t_R^{(5)}$	65/149	°C/°F

## Characteristic data

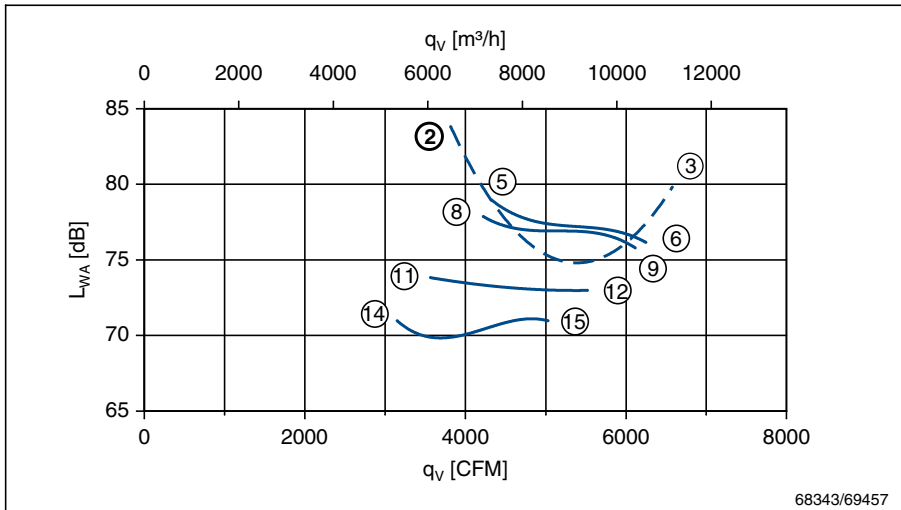


	U	I	P <sub>1</sub>	n
	V	A	W	rpm
②	460	1.20	710	1090
③		0.98	470	1140
⑤	460	1.20	690	1100
⑥		1.00	520	1130
⑧	400	1.15	650	1060
⑨		0.97	500	1100
⑪	265	1.30	520	890
⑫		1.05	420	990
⑭	230	1.30	450	790
⑮		1.10	380	900

$$p_{d2} = 4.6 \cdot 10^{-7} \cdot q_v^2$$

--- measured in full bell mouth without guard grille in installation type A according to ISO 5801

— measured in short bell mouth with guard grille on the pressure side



## Dimension sheet

Type	Article no.	Design	Airflow direction	Weight		Connection diagram	Dimension sheet	Page
				kg	lbs.			
FB063-6DW.4I.A4L	141 529	W	A	12	27	106XB	L-KL-2697	132
FB063-6DK.4I.V4L	141 530	K	V	13	28	106XA	L-KL-2698	136

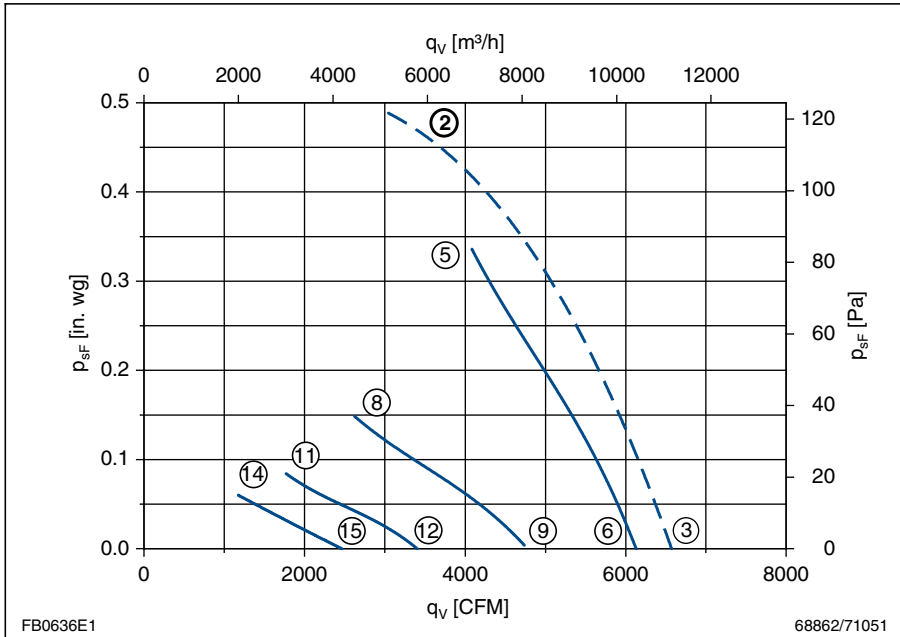
# FB063-6E\_.4I\_.4L

## Performance data

1 ~ 115V 60Hz

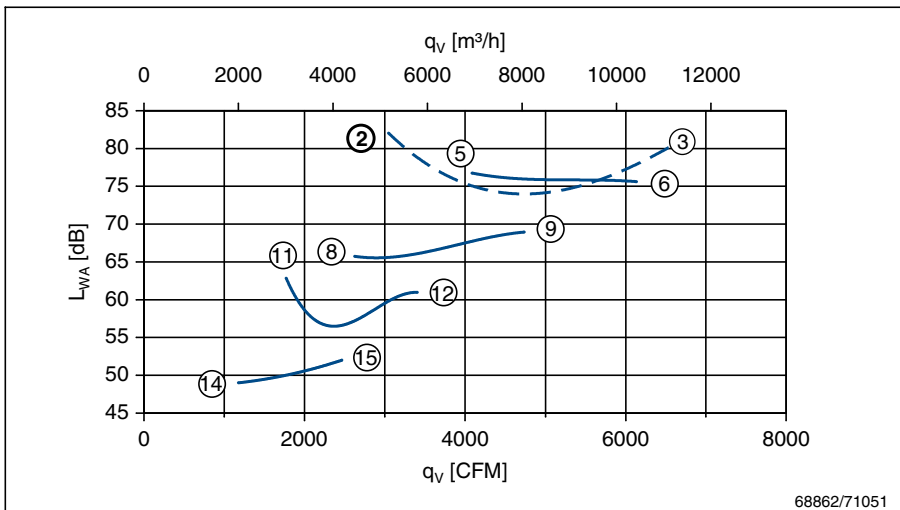
$P_1$	0.75	kW
$I$	6.70	A
$n$	970	rpm
$I_A$	12.5	A
$\Delta I$	0	%
$C_{230V}$	40	$\mu F$
$t_R^{(2)}$	70/158	$^{\circ}C/^{\circ}F$
$t_R^{(5)}$	70/158	$^{\circ}C/^{\circ}F$

## Characteristic data



	U	I	$P_1$	n
	V	A	W	rpm
②	115	6.7	750	970
③		4.5	510	1110
⑤	115	6.0	660	1010
⑥		4.7	540	1090
⑧	85	5.7	430	660
⑨		5.2	410	850
⑪	68	4.7	280	500
⑫		4.6	280	600
⑭	55	3.9	180	350
⑮		3.8	180	440

$$p_{d2} = 4.6 \cdot 10^{-7} \cdot q_v^2$$

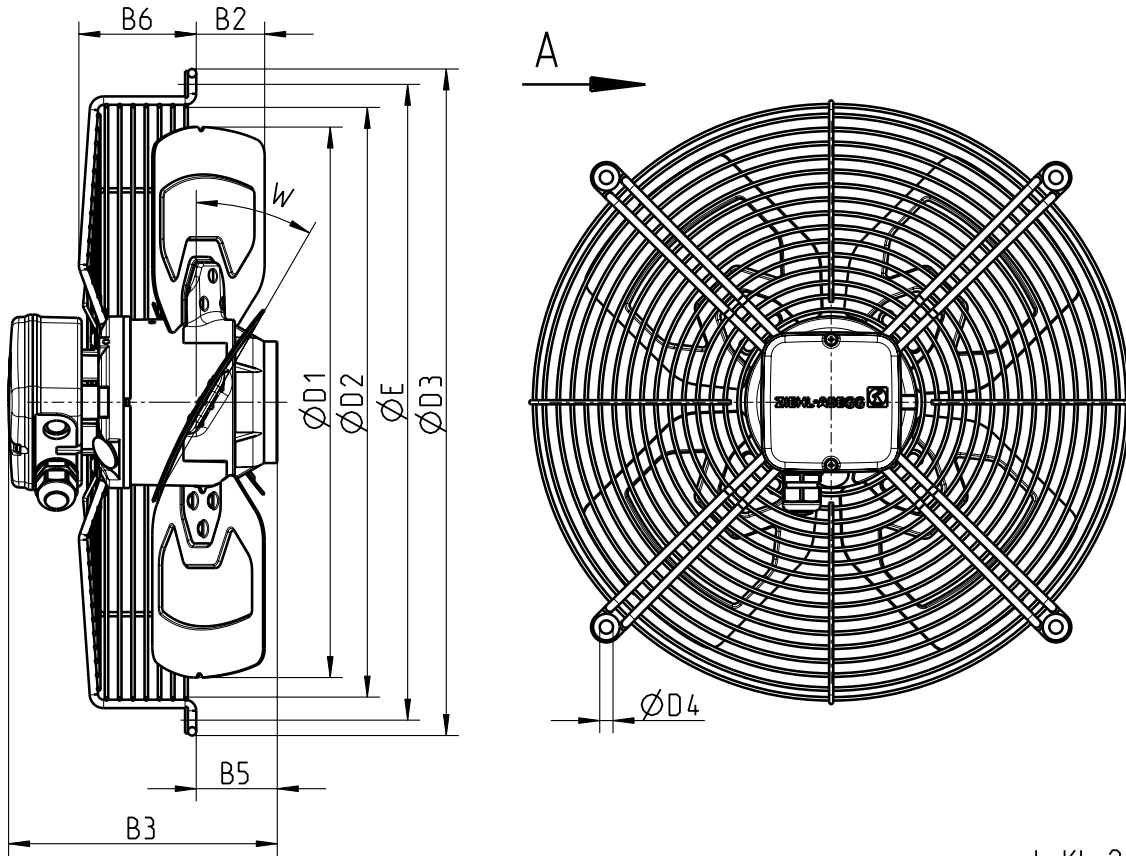


--- measured in full bell mouth without guard grille in installation type A according to ISO 5801

— measured in short bell mouth with guard grille on the pressure side

## Dimension sheet

Type	Article no.	Design	Airflow direction	Weight		Connection diagram	Dimension sheet	Page
				kg	lbs.			
FB063-6EW.4I.A4L	141 569	W	A	12	27	118XB	L-KL-2699	133
FB063-6EK.4I.V4L	141 570	K	V	13	28	117XA	L-KL-2700	137

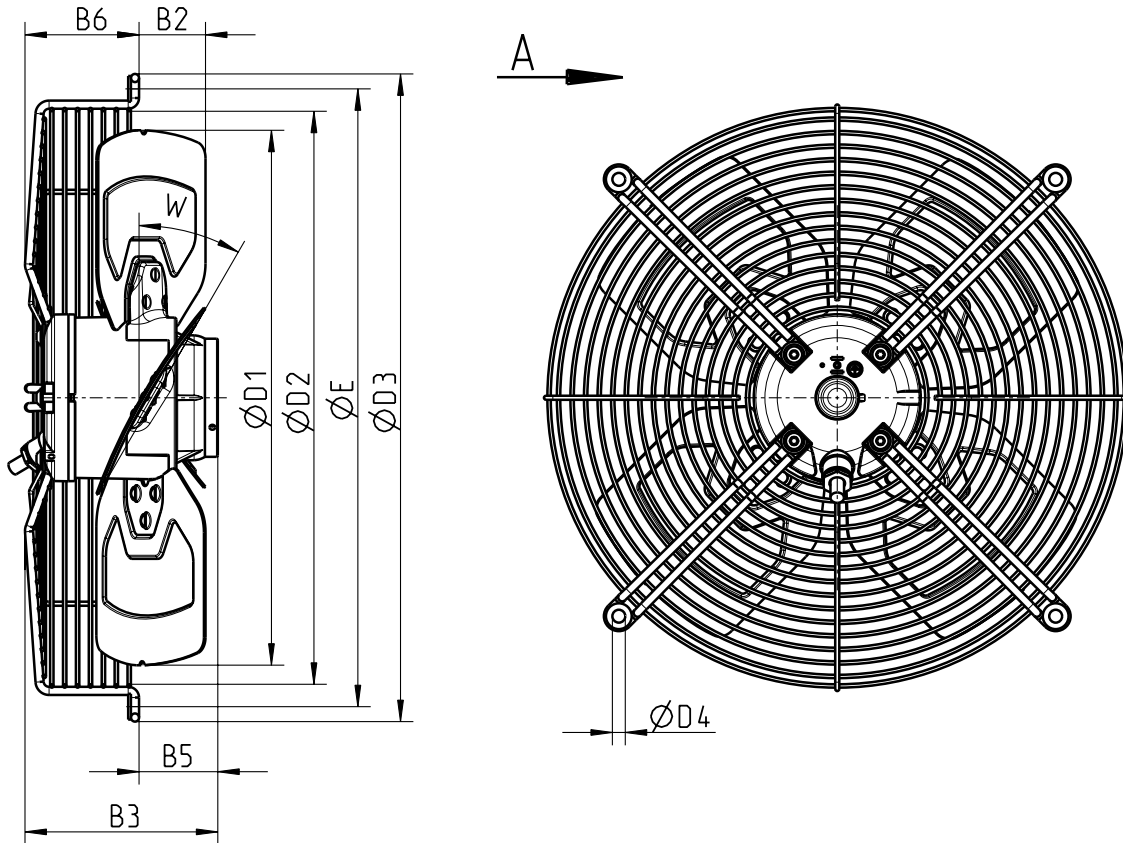


L-KL-2693

Type	Article no.	B2		B3		B5		B6		D1		D2		D3		D4		E		W
		mm	inch	mm	inch	mm	inch	mm	inch	mm	inch	mm	inch	mm	inch	mm	inch	mm	inch	
FB035-4DW.2C.A4P	141 506	78	3.07	178	7.01	72	2.83	40	1.57	351	13.82	372	14.65	440	17.32	9.5	0.37	420	16.54	P
FB040-4DW.2C.A4P	141 510	50	1.97	178	7.01	44	1.73	84	3.31	395	15.55	422	16.61	477	18.78	9.5	0.37	455	17.91	P

L-KL-2693



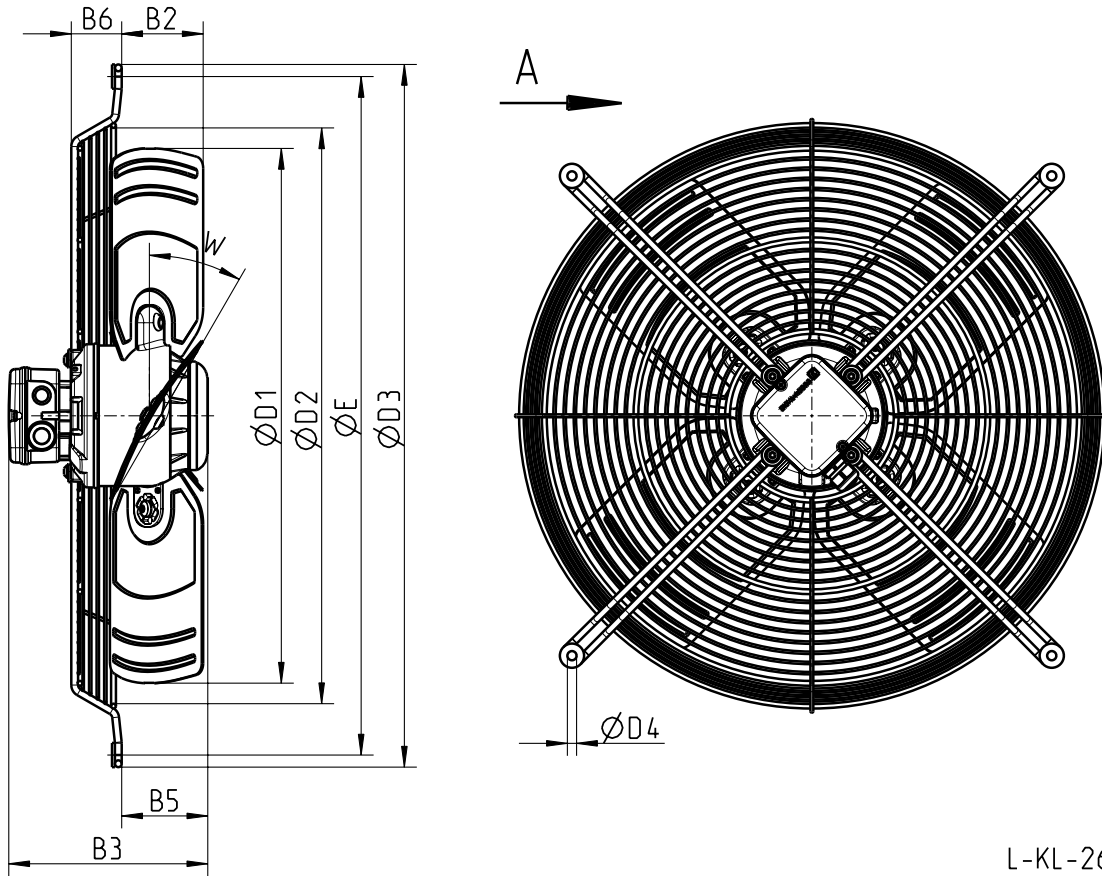


L-KL-2695

Type	Article no.	B2		B3		B5		B6		D1		D2		D3		D4		E		W
		mm	inch	mm	inch	mm	inch	mm	inch	mm	inch	mm	inch	mm	inch	mm	inch	mm	inch	
FB035-4EW.2C.A4P	141 508	78	3.07	113	4.45	72	2.83	40	1.57	351	13.82	372	14.65	440	17.32	9.5	0.37	420	16.54	P
FB040-4EW.2F.A4P	141 512	50	1.97	143	5.63	59	2.32	84	3.31	395	15.55	422	16.61	477	18.78	9.5	0.37	455	17.91	P

L-KL-2695

**Electrical connection**  
Connection cable



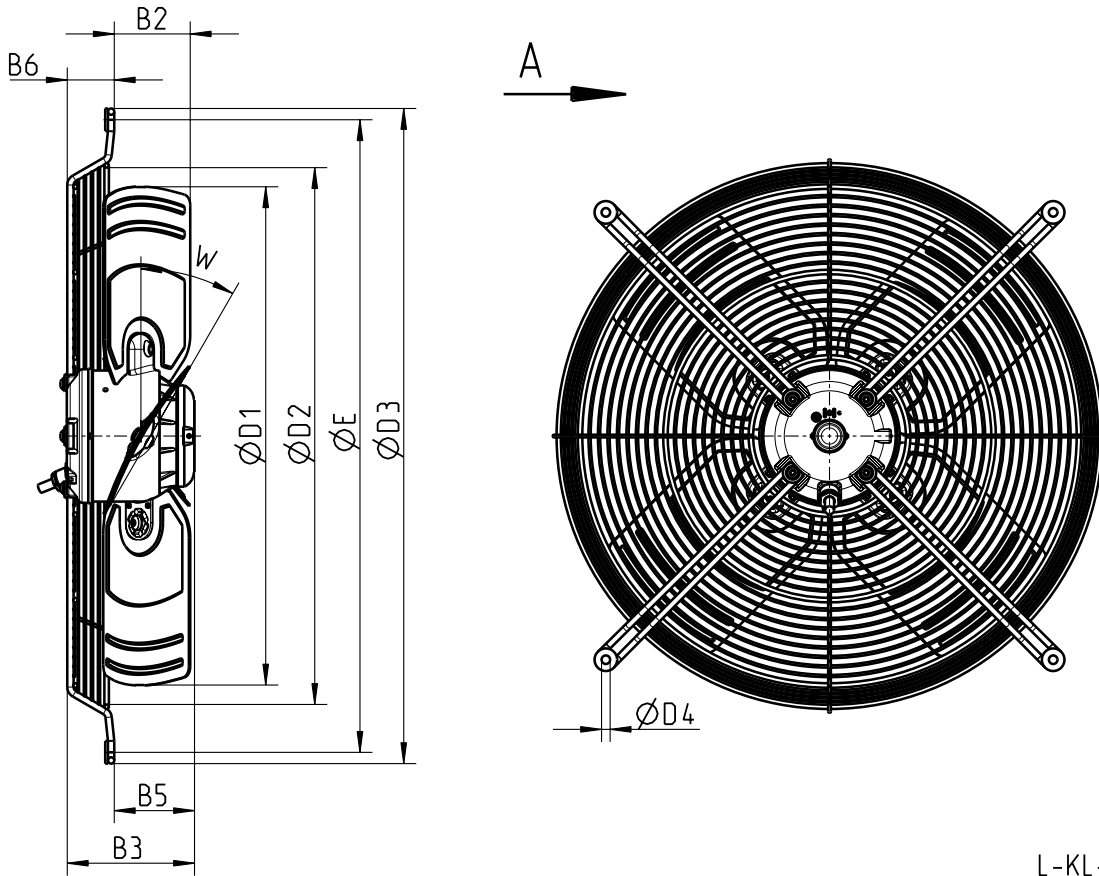
L-KL-2697

Type	Article no.	B2		B3		B5		B6		D1		D2		D3		D4		E		W
		mm	inch	mm	inch	mm	inch	mm	inch	mm	inch	mm	inch	mm	inch	mm	inch	mm	inch	
FB045-4DW.4I.A4P	141 514	89	3.5	225	8.86	114	4.49	46	1.81	445	17.52	481	18.94	582	22.91	9.5	0.37	560	22.05	P
FB050-4DW.4I.A4P	141 518	62	2.44	225	8.86	84	3.31	97	3.82	497	19.57	524	20.63	589	23.19	9.5	0.37	565	22.24	P
FB056-6DW.4I.A4P	141 522	84	3.31	225	8.86	109	4.29	52	2.05	552	21.73	594	23.39	725	28.54	9.5	0.37	700	27.56	P
FB063-6DW.4I.A4L	141 529	66	2.6	225	8.86	100	3.94	62	2.44	627	24.69	696	27.4	775	30.51	9.5	0.37	750	29.53	L

L-KL-2697

FB

Electrical connection  
Terminal box K62



L-KL-2699

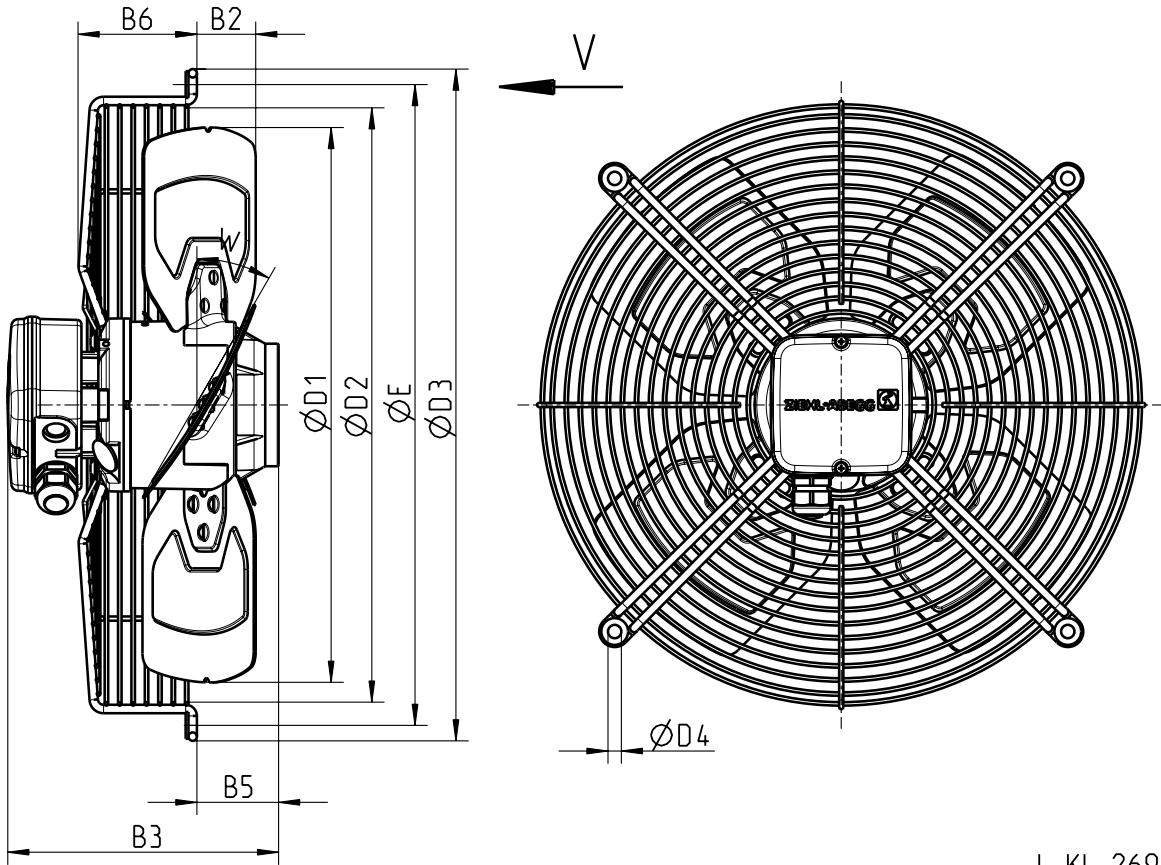
Type	Article no.	B2		B3		B5		B6		D1		D2		D3		D4		E		W
		mm	inch	mm	inch	mm	inch	mm	inch	mm	inch	mm	inch	mm	inch	mm	inch	mm	inch	
FB045-4EW.4I.A4P	141 516	89	3.5	161	6.34	114	4.49	46	1.81	445	17.52	481	18.94	582	22.91	9.5	0.37	560	22.05	P
FB050-4EW.4I.A4P	141 520	62	2.44	181	7.13	84	3.31	97	3.82	497	19.57	524	20.63	589	23.19	9.5	0.37	565	22.24	P
FB056-6EW.4I.A4P	141 524	84	3.31	161	6.34	109	4.29	52	2.05	552	21.73	594	23.39	725	28.54	9.5	0.37	700	27.56	P
FB063-6EW.4I.A4L	141 569	68	2.68	161	6.34	100	3.94	97	3.82	627	24.69	696	27.4	782	30.79	9.5	0.37	750	29.53	L

L-KL-2699

**Electrical connection**  
Connection cable

# FB\_ \_ \_ - DK.2 .V4\_

Airflow direction V  
Design K



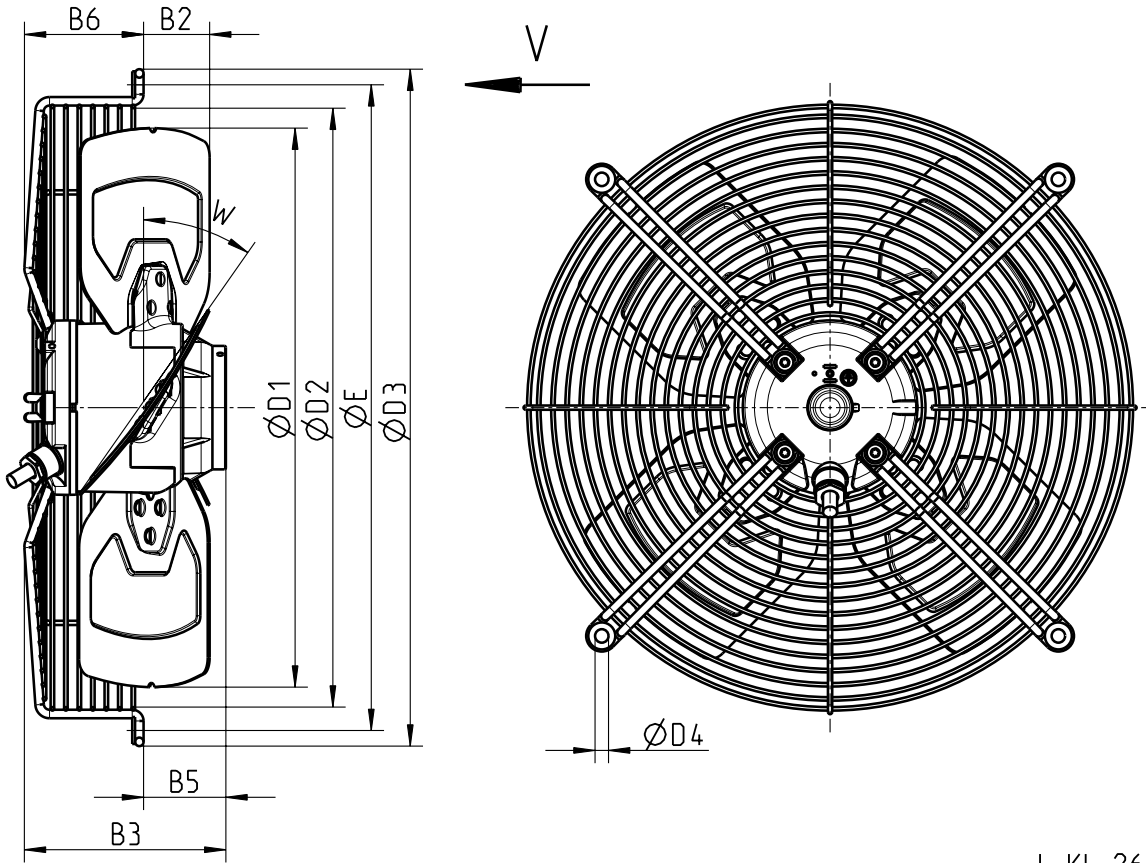
L-KL-2694

Type	Article no.	B2		B3		B5		B6		D1		D2		D3		D4		E		W
		mm	inch	mm	inch	mm	inch	mm	inch	mm	inch	mm	inch	mm	inch	mm	inch	mm	inch	
FB035-4DK.2C.V4P	141 507	46	1.81	178	7.01	43	1.69	84	3.31	351	13.82	369	14.53	413	16.26	9.5	0.37	395	15.55	P
FB040-4DK.2C.V4P	141 511	42	1.65	178	7.01	43	1.69	84	3.31	395	15.55	422	16.61	477	18.78	9.5	0.37	455	17.91	P

L-KL-2694

FB

**Electrical connection**  
Terminal box K05

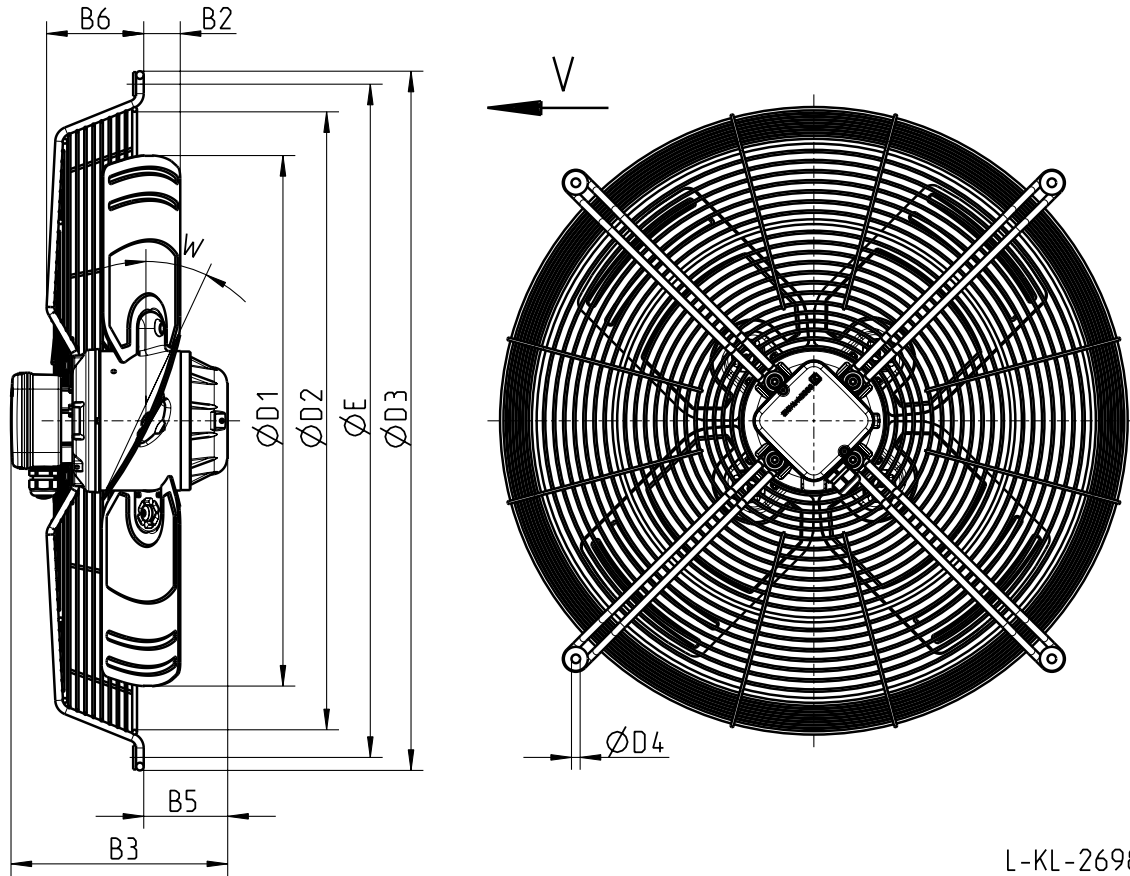


L-KL-2696

Type	Article no.	B2		B3		B5		B6		D1		D2		D3		D4		E		W
		mm	inch	mm	inch	mm	inch	mm	inch	mm	inch	mm	inch	mm	inch	mm	inch	mm	inch	
FB035-4EK.2C.V4P	141 509	46	1.81	127	5	43	1.69	84	3.31	351	13.82	369	14.53	413	16.26	9.5	0.37	395	15.55	P
FB040-4EK.2F.V4P	141 513	42	1.65	142	5.59	58	2.28	84	3.31	395	15.55	422	16.61	477	18.78	9.5	0.37	455	17.91	P

L-KL-2696

**Electrical connection**  
Connection cable



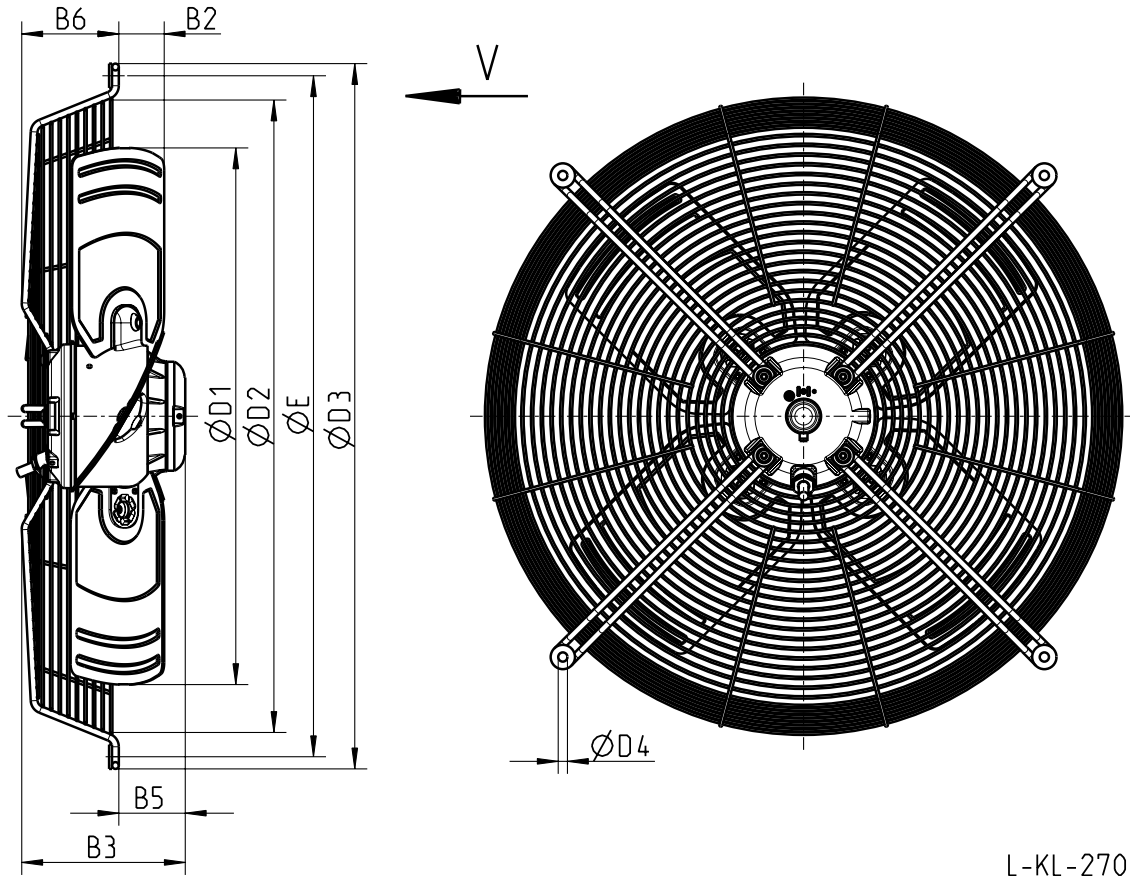
L-KL-2698

Type	Article no.	B2		B3		B5		B6		D1		D2		D3		D4		E		W
		mm	inch	mm	inch	mm	inch	mm	inch	mm	inch	mm	inch	mm	inch	mm	inch	mm	inch	
FB045-4DK.4I.V4P	141 515	46	1.81	225	8.86	88	3.46	96	3.78	445	17.52	474	18.66	539	21.22	9.5	0.37	515	20.28	P
FB050-4DK.4I.V4P	141 519	46	1.81	225	8.86	88	3.46	96	3.78	497	19.57	524	20.63	590	23.23	9.5	0.37	565	22.24	P
FB056-6DK.4I.V4P	141 523	48	1.89	225	8.86	88	3.46	100	3.94	552	21.73	647	25.47	725	28.54	9.5	0.37	700	27.56	P
FB063-6DK.4I.V4L	141 530	42	1.65	225	8.86	88	3.46	100	3.94	627	24.69	697	27.44	778	30.63	9.5	0.37	750	29.53	L

L-KL-2698

FB

Electrical connection  
Terminal box K62



L-KL-2700

Type	Article no.	B2		B3		B5		B6		D1		D2		D3		D4		E		W
		mm	inch	mm	inch	mm	inch	mm	inch	mm	inch	mm	inch	mm	inch	mm	inch	mm	inch	
FB045-4EK.4I.V4P	141 517	46	1.81	184	7.24	88	3.46	96	3.78	445	17.52	474	18.66	539	21.22	9.5	0.37	515	20.28	P
FB050-4EK.4I.V4P	141 521	46	1.81	184	7.24	88	3.46	96	3.78	497	19.57	524	20.63	590	23.23	9.5	0.37	565	22.24	P
FB056-6EK.4I.V4P	141 525	48	1.89	188	7.4	88	3.46	100	3.94	552	21.73	647	25.47	725	28.54	9.5	0.37	700	27.56	P
FB063-6EK.4I.V4L	141 570	42	1.65	188	7.4	88	3.46	100	3.94	627	24.69	697	27.44	778	30.63	9.5	0.37	750	29.53	L

L-KL-2700

FB

**Electrical connection**  
Connection cable

