

A15-11A Belt Drive Blower

Features

Our range of Belt Drive blowers suit many applications, including air handling units, fan coil units, general ventilation, air conditioning units and cooling towers.

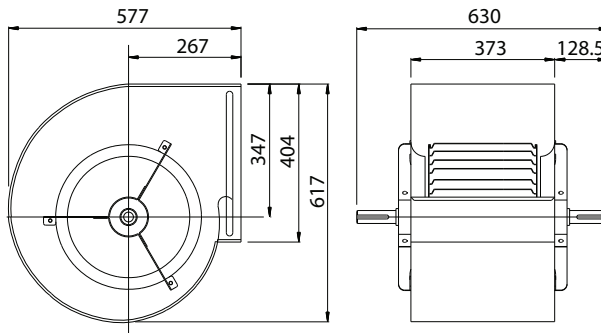
As a full service provider, Markair Components can provide motors, belts, pulleys and frames and expert advice on fan selection, so there is no need to source all the required components from separate suppliers.

With a vast range of replacement parts and full in house fabrication facilities, Markair Components has the capacity to provide reconditioning and replacement services, providing a cost effective alternative to replacement of failed units.

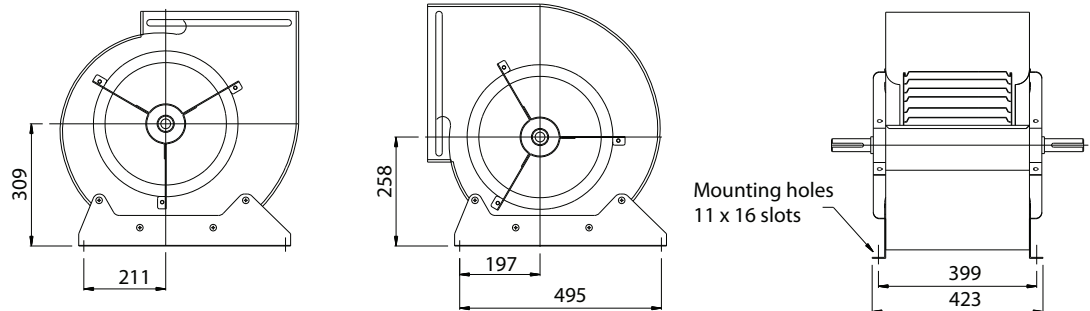
Options

1. Housing support kits
2. Upgrade to pillow block bearings for heavy duty applications
3. Belts and pulleys to suit
4. Discharge transitions
5. Heavy duty steel mounting frames
6. Industrial motors

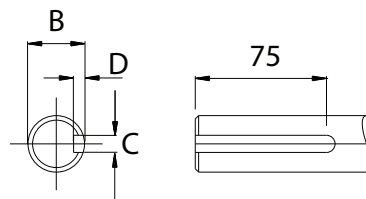
Dimensions



Discharge Positions



Shaft Detail



	B	C	D
[in]	Ø25.40	6.35	3.75
	Ø25.35	6.33	3.60
[mm]	Ø25.00	8.00	4.20
	Ø24.96	7.96	4.00

NOTE:
1. Imperial Shaft - 1.0" uses 1/4" x 1/4" Keyway
2. Metric Shaft - Ø25.0mm uses 8mm x 7mm Keyway

*Information provided is indicative only and subject to change without notice

Head Office Sydney Office

8-9 Rosemary Court
Mulgrave VIC 3170

Ph: (03) 9561 3055

F: (03) 9561 2573

C6/27-29 Fariola Street
Silverwater NSW 2128

Ph: (02) 9831 4567

F: (02) 9748 4114

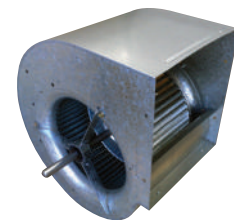
www.markair.com.au

Distributor and Stockist for

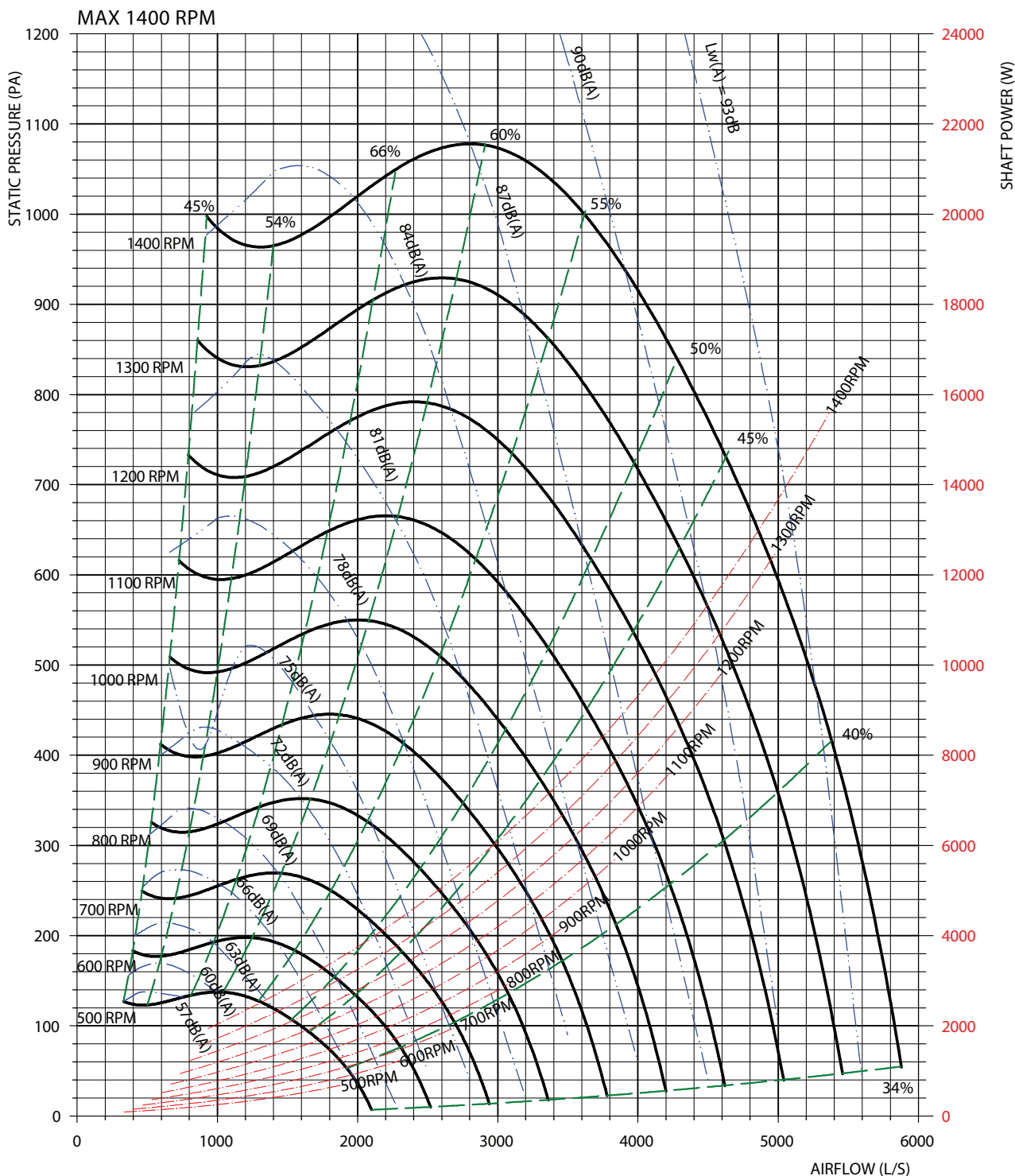
Lau **ebmpapst** **FASCO**

comefri **ZIEHL-ABEGG**

Torin **MULTI-WING™**



A15-11A Belt Drive Blower Performance



*Information provided is indicative only and subject to change without notice

Head Office Sydney Office

8-9 Rosemary Court
Mulgrave VIC 3170

Ph: (03) 9561 3055
F: (03) 9561 2573

C6/27-29 Fariola Street
Silverwater NSW 2128

Ph: (02) 9831 4567
F: (02) 9748 4114

Distributor and Stockist for

