

## 10MVA 4 Pole Blower

### Features

Hand built forward curve blowers, our MVA series is suitable for a vast range of applications, with market leading pressure and volume characteristics.

The MVA series are typically single width pedestal mounted fans, capable of being rotated to any discharge direction and orientation.

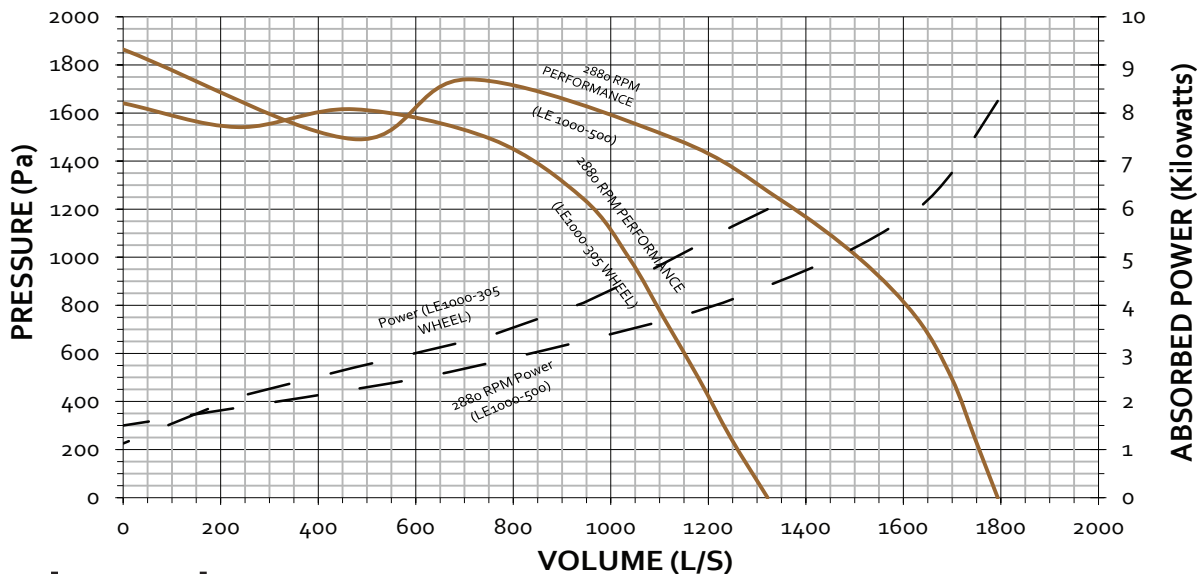
The MVA series can be built in copper or stainless steel to suit any hazardous or marine environment, with the motor kept out of the air stream to minimise wear and tear and the need for costly motor refurbishments or replacements.

### Options

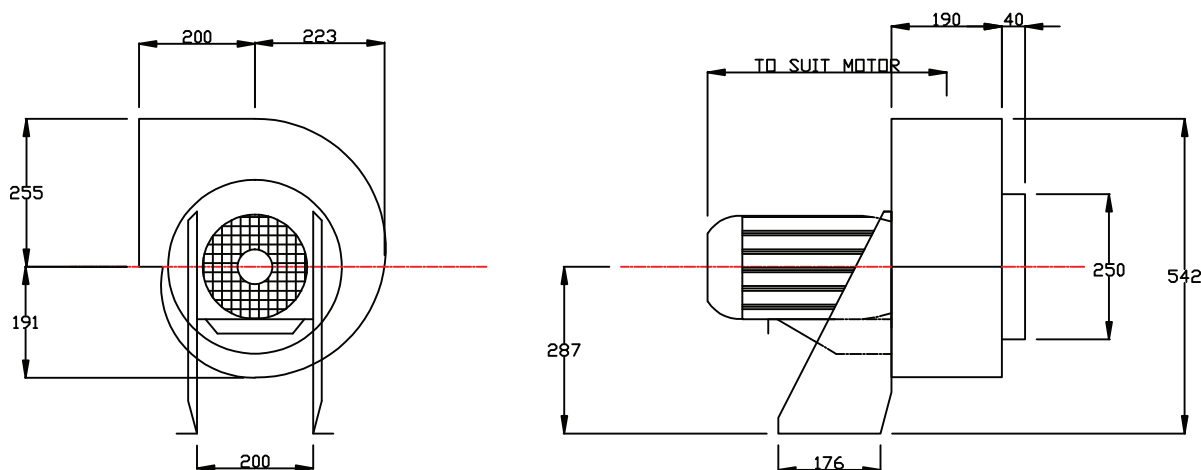
1. Inlet Spigot
2. Inlet/Outlet Transitions
3. Stainless Steel/Copper construction for hazardous or marine environments
4. 2 Pole or 4 Pole
5. Powder coated finish

### Performance

10MVA PERFORMANCE with LE1000-500/305 WHEEL



### Dimensions



\*ACW180 shown. All discharge positions available  
\*Information provided is indicative only and subject to change without notice

### Head Office Sydney Office

8-9 Rosemary Court  
Mulgrave VIC 3170  
Ph: (03) 9561 3055  
F: (03) 9561 2573

C6/27-29 Fariola Street  
Silverwater NSW 2128  
Ph: (02) 9831 4567  
F: (02) 9748 4114

### Distributor and Stockist for

**Lau** **ebmpapst** **FASCO**

**comefri** **ZIEHL-ABEGG**

**Torin** **MULTI-WING™**