

## A15-15A Belt Drive Blower

### Features

Our range of Belt Drive blowers suit many applications, including air handling units, fan coil units, general ventilation, air conditioning units and cooling towers.

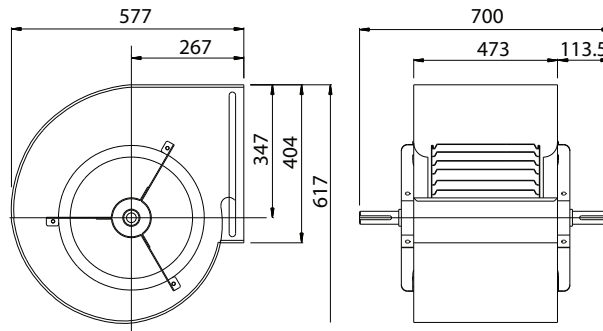
As a full service provider, Markair Components can provide motors, belts, pulleys and frames and expert advice on fan selection, so there is no need to source all the required components from separate suppliers.

With a vast range of replacement parts and full in house fabrication facilities, Markair Components has the capacity to provide reconditioning and replacement services, providing a cost effective alternative to replacement of failed units.

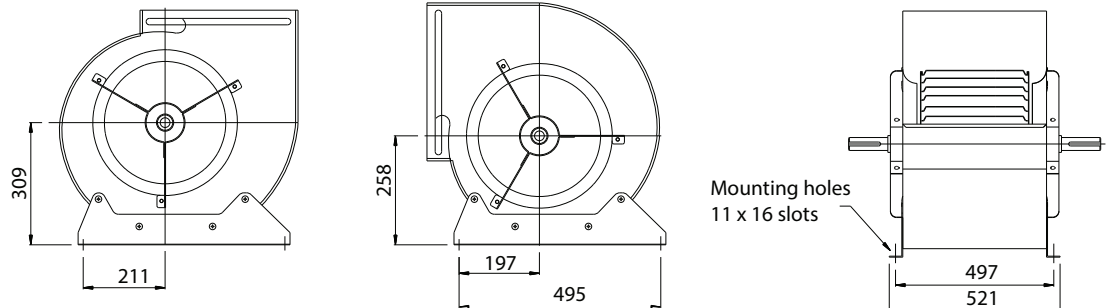
### Options

1. Housing support kits
2. Upgrade to pillow block bearings for heavy duty applications
3. Belts and pulleys to suit
4. Discharge transitions
5. Heavy duty steel mounting frames
6. Industrial motors

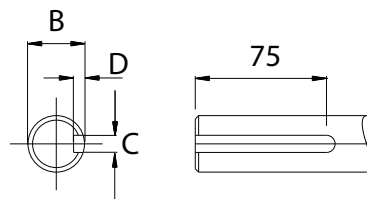
### Dimensions



### Discharge Positions



### Shaft Detail



	B	C	D
[in]	Ø25.40	6.35	3.75
	Ø25.35	6.33	3.60
[mm]	Ø25.00	8.00	4.20
	Ø24.96	7.96	4.00

NOTE:  
1. Imperial Shaft - 1.0" uses ¼" x ¼" Keyway  
2. Metric Shaft - Ø25.0mm uses 8mm x 7mm Keyway

\*Information provided is indicative only and subject to change without notice

**Head Office** Sydney Office

8-9 Rosemary Court  
Mulgrave VIC 3170

Ph: (03) 9561 3055  
F: (03) 9561 2573

C6/27-29 Fariola Street  
Silverwater NSW 2128

Ph: (02) 9831 4567  
F: (02) 9748 4114

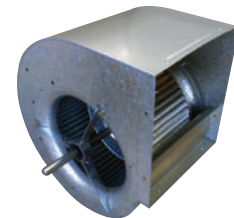
[www.markair.com.au](http://www.markair.com.au)

Distributor and Stockist for

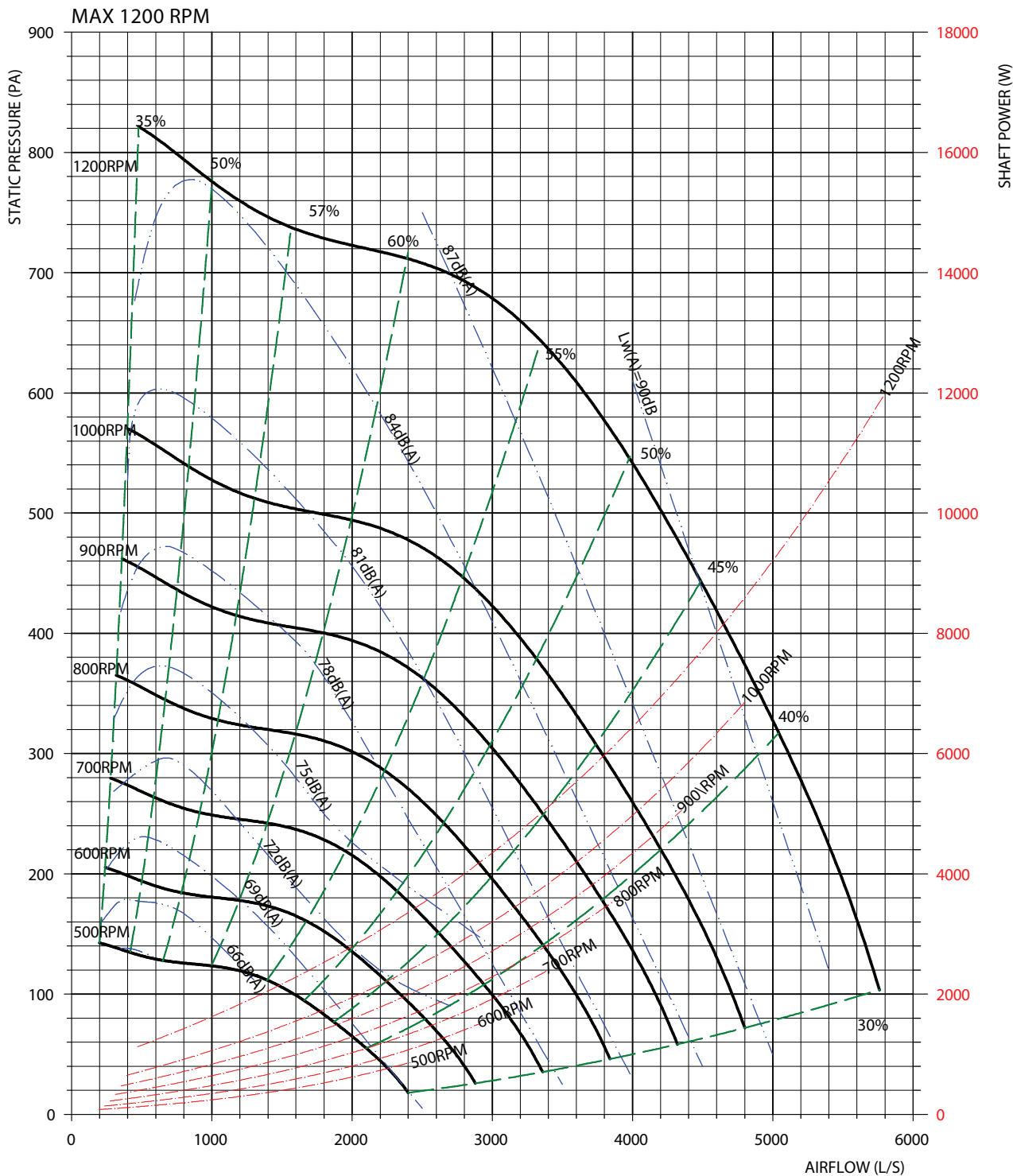
**Law** **ebmpapst** **FASCO**

**comefri** **ZIEHL-ABEGG**

**Torin** **MULTI-WING™**



## A15-15A Belt Drive Blower Performance



\*Information provided is indicative only and subject to change without notice

**Head Office Sydney Office**

8-9 Rosemary Court  
Mulgrave VIC 3170  
Ph: (03) 9561 3055  
F: (03) 9561 2573

C6/27-29 Fariola Street  
Silverwater NSW 2128  
Ph: (02) 9831 4567  
F: (02) 9748 4114

**Distributor and Stockist for**

